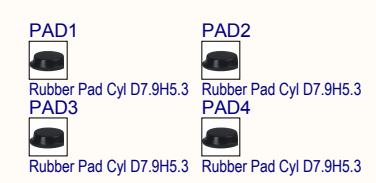
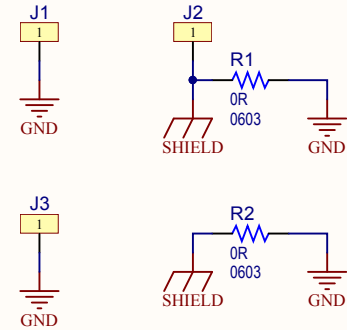
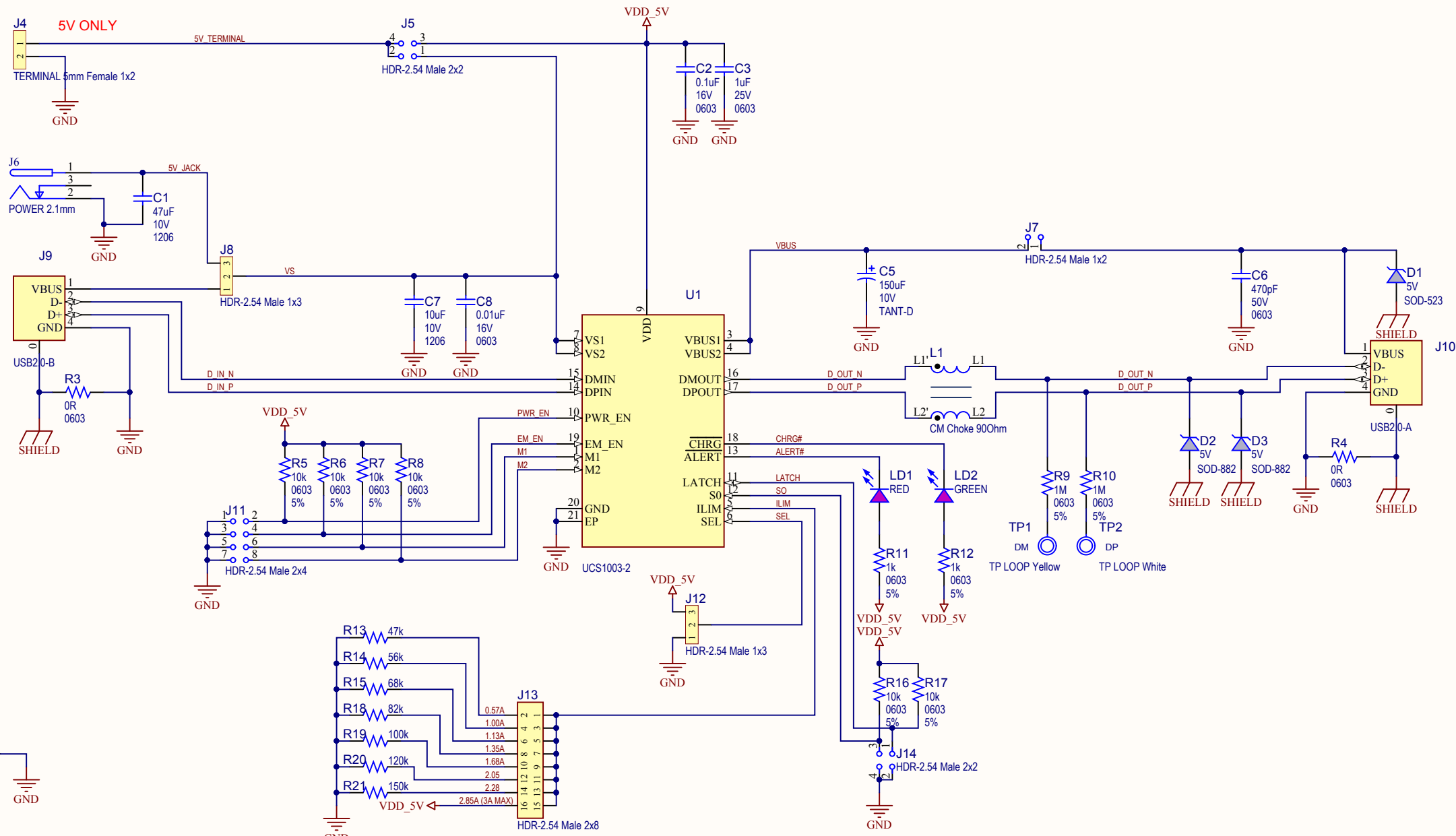


REV	ECO#	DESCRIPTION	DATE



Drawn By: Bogdan Popescu		
Engineer: Adrian Toader		
PartNumber: ADM00669		Project Title UCS1003-2 Evaluation Board
Sheet Title UCS1003-2		 Altium.com
Size B	Sch #:03-10421 Revision:1	
File: UCS1003-2.SchDoc		