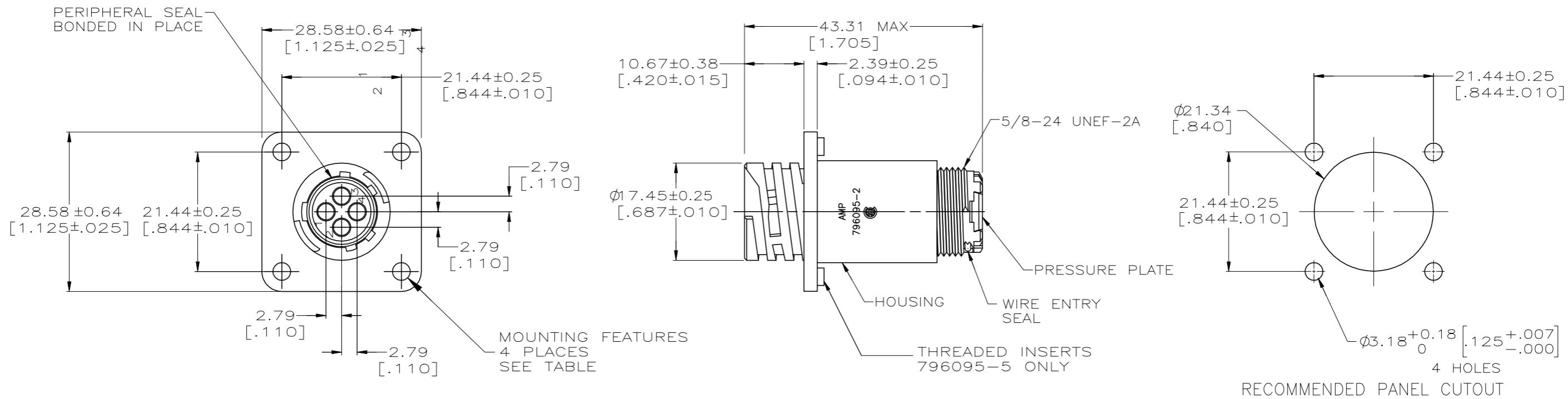


THIS DRAWING IS UNPUBLISHED. RELEASED FOR PUBLICATION  
 © COPYRIGHT - TE Connectivity Ltd. ALL RIGHTS RESERVED.

REVISIONS					
P	LTR	DESCRIPTION	DATE	DWN	APVD
0		RELEASED PER NPR 5710, WAS 98-7970-13-2	25SEPT1998	-	-
A		REV PER EC 0G3B-0286-01	15JAN02	MHC	SH
B		REV PER EC0-19-014836	21OCT2019	RS	MZ



- 1. THIS PART WILL ACCEPT FOUR (4) MULTIMATE PIN CONTACTS.
- 2. HOUSING AND PRESSURE PLATE: NYLON, BLACK.  
 PERIPHERAL SEAL: ELASTOMER, GRAY.  
 WIRE ENTRY SEAL: ELASTOMER, RED-IRON OXIDE.  
 THREADED INSERTS: BRASS

#4-40 THREADED INSERTS	796095-5
Ø3.18 (.125) HOLES	796095-2
MOUNTING FEATURES	PART NUMBER

THIS DRAWING IS A CONTROLLED DOCUMENT.		DWN C.DORWART 25 SEP 98	<b>STE</b> TE Connectivity	
DIMENSIONS: mm [INCHES]		CHK R.WALTER 25 SEP 98		
TOLERANCES UNLESS OTHERWISE SPECIFIED:		APVD R.WALTER 25 SEP 98	NAME	
0 PLC ± -		PRODUCT SPEC	RECEPTACLE ASSEMBLY, 11-4, STANDARD SEX, SERIES I, SEALED, CIRCULAR PLASTIC CONNECTOR	
1 PLC ± -		APPLICATION SPEC	SIZE CAGE CODE DRAWING NO RESTRICTED TO	
2 PLC ± 0.13 [.005]		WEIGHT -	A2 00779 C=796095	
3 PLC ± -		CUSTOMER DRAWING	SCALE 2:1 SHEET 1 of 1 REV B	
4 PLC ± -				
ANGLES ± -				
FINISH -				