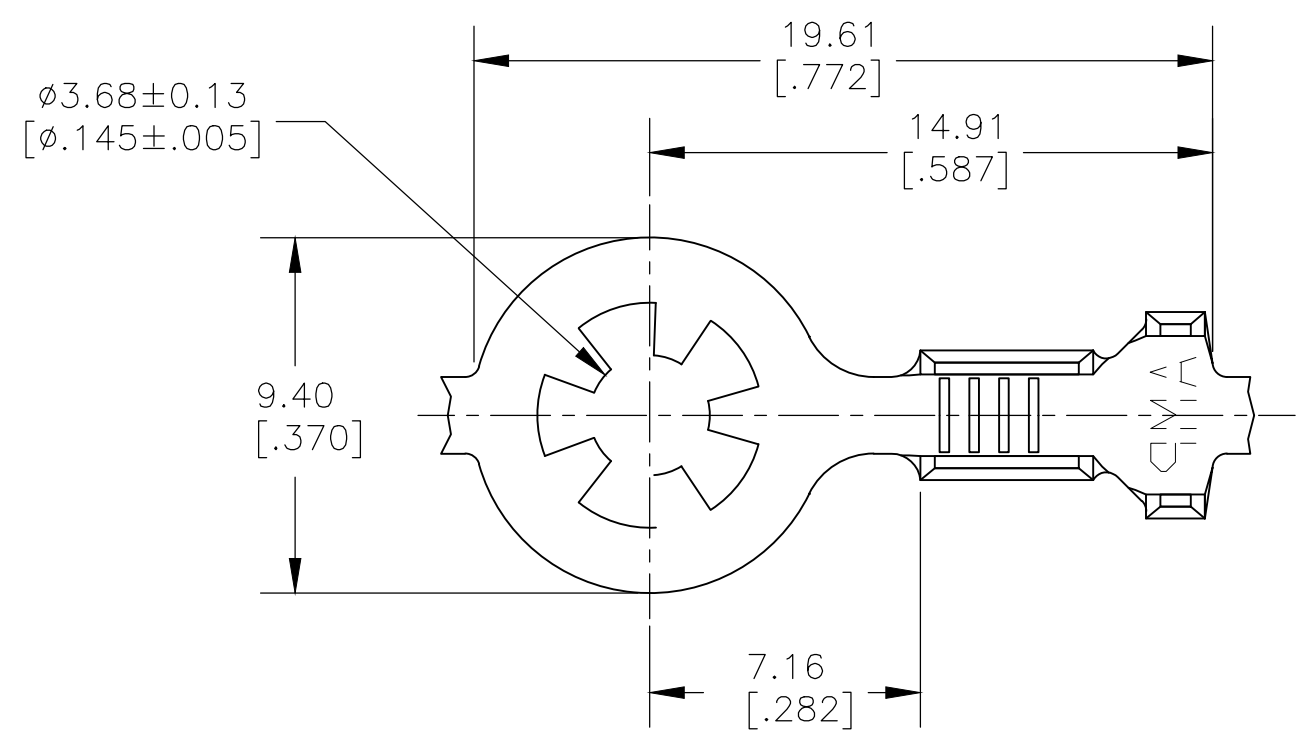
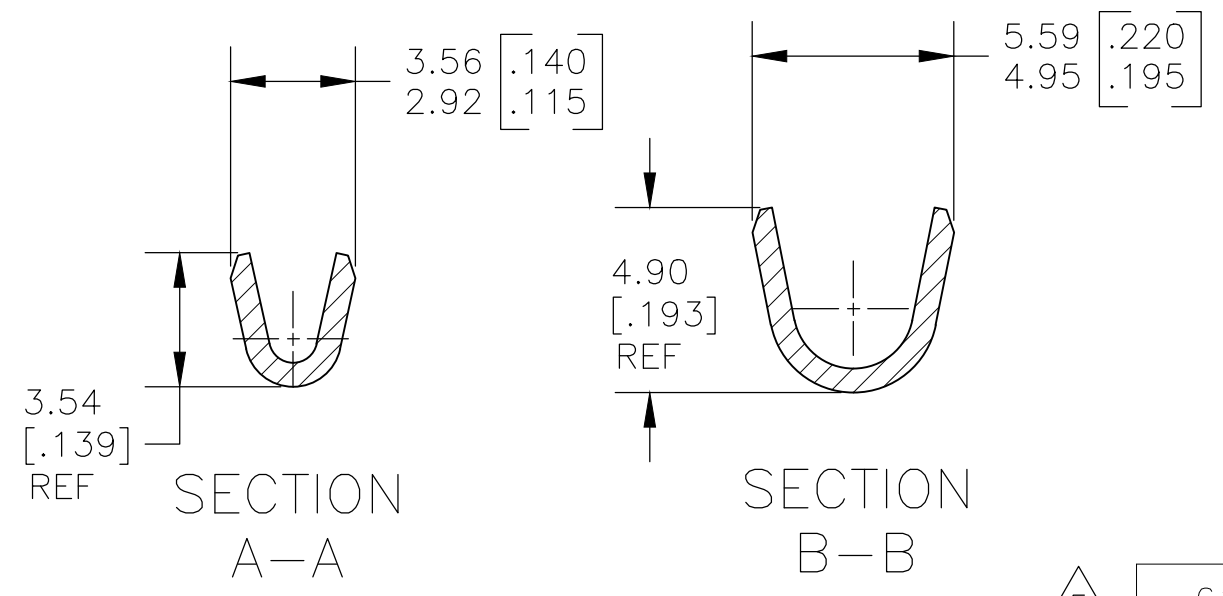
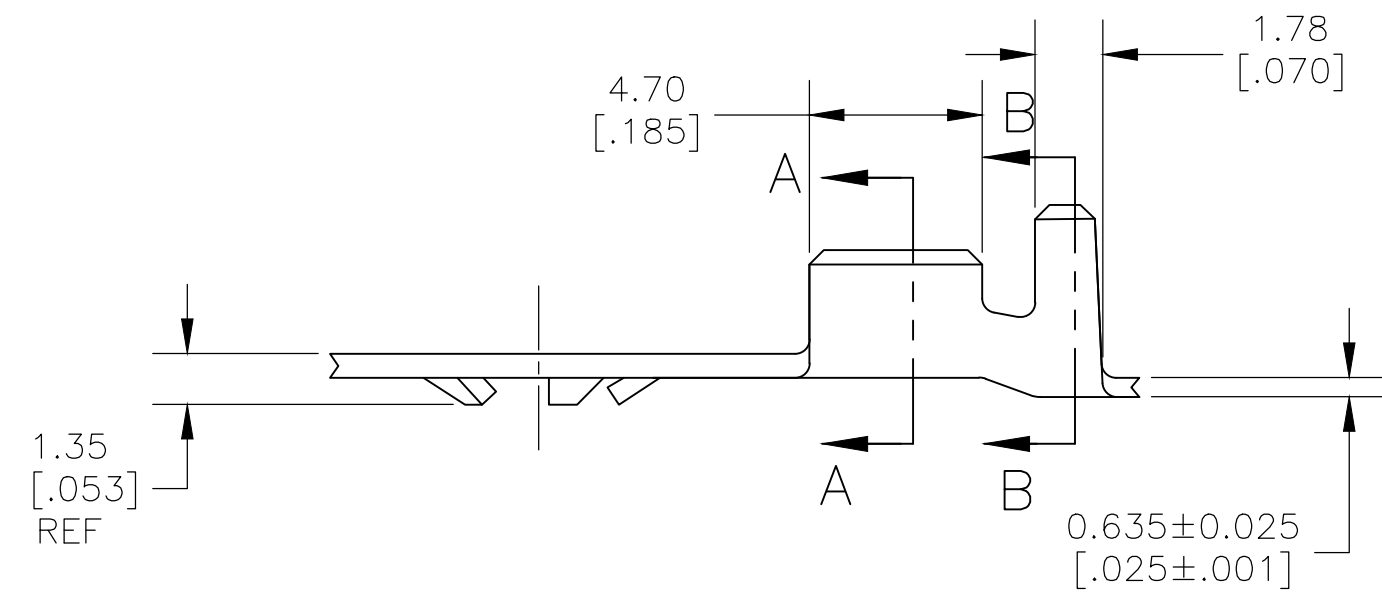


THIS DRAWING IS UNPUBLISHED. RELEASED FOR PUBLICATION
 © COPYRIGHT - By - ALL RIGHTS RESERVED.

REVISIONS					
P	LTR	DESCRIPTION	DATE	DWN	APVD
	G2	REVISED PERECO-18-006190	20APR2018	DL	TD



- 1 CONTINUOUS STRIP ON REELS.
- 3 WIRE SIZE 0.3-1.3mm² [22-16] AWG.
- 4 INSULATION RANGE ø2.54-3.56 [ø.100-.140].
- 5 ADD INTERLEAVING PAPER



5	61588-4
	61588-1
	PART NO

F OR O OR OV	WIDTH	STRIP LENGTH	F	WIDTH	HEIGHT	WIRE
	4.57 [.180] (F AND O)	6.35 [.250]		2.54 [.100]	2.11 [.083]	1.3mm ² [16]
	3.94 [.155] (OV)				1.96 [.077]	0.8mm ² [18]
					1.85 [.073]	0.5mm ² [20]
					1.80 [.071]	0.3mm ² [22]
TYPE	WIDTH	STRIP LENGTH	TYPE	WIDTH	HEIGHT	WIRE
INSUL BARREL CRIMP		±0.38 [.015]	WIRE BARREL CRIMP		±0.05 [.002]	

THIS DRAWING IS A CONTROLLED DOCUMENT.

DIMENSIONS: mm [INCHES]

TOLERANCES UNLESS OTHERWISE SPECIFIED:

0 PLC	± -
1 PLC	± -
2 PLC	± 0.38 [.015]
3 PLC	± -
4 PLC	± -
ANGLES	± 5°

MATERIAL: #4 HARD BRASS

FINISH: TIN

DWN	jr_ruth	19JAN08
CHK	D DECKER	19JAN09
APVD	D DECKER	19JAN09
PRODUCT SPEC		
APPLICATION SPEC		
WEIGHT	-	

STE TE Connectivity

RING

SIZE	CAGE CODE	DRAWING NO	RESTRICTED TO
A3	00779	C-61588	-

CUSTOMER DRAWING SCALE 5:1 SHEET 1 OF 1 REV G2