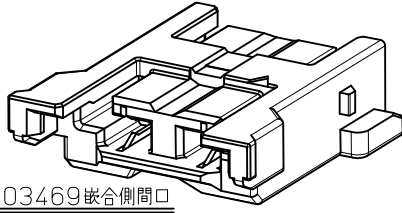
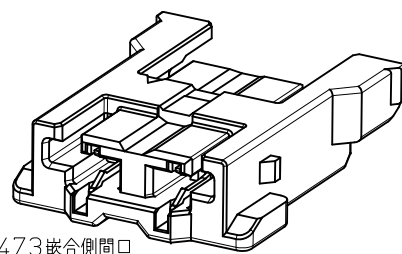
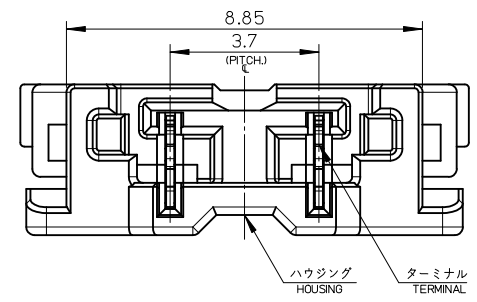
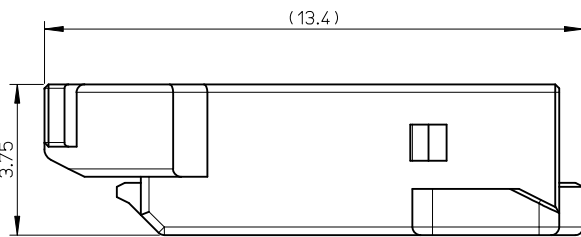
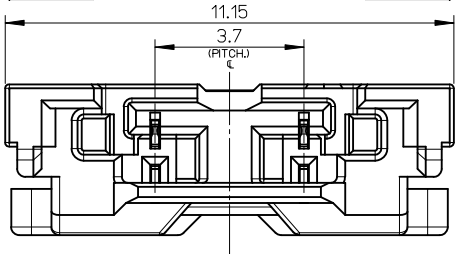


回路基準マーク
CIRCUIT STANDARD MARK
(CIRCUIT No.1)

503473 嵌合側間口
503473MATING SIDE.

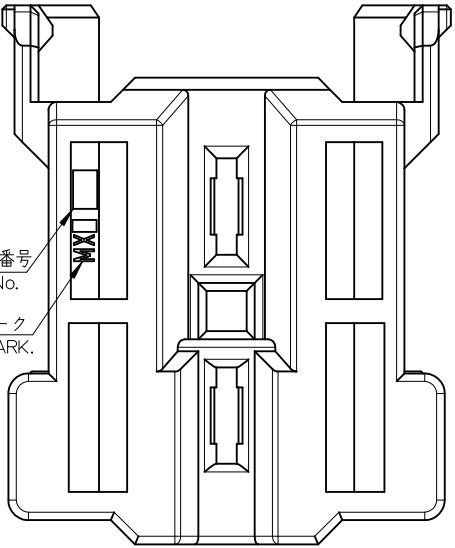


503469 嵌合側間口
503469MATING SIDE.



注記

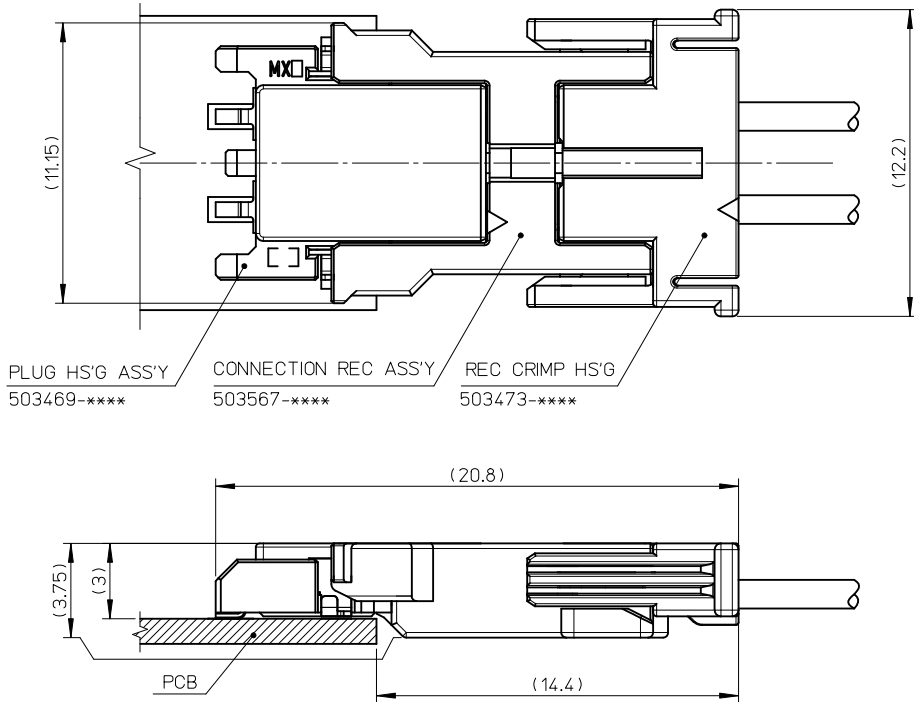
- NOTES.
- 材質
MATERIAL
ハウジング : ポリエステル
HOUSING : POLYESTER(PBT),UL-94V-0,BLACK
ターミナル : りん青銅
TERMINAL : PHOSPOHR BRONZE
錫メッキ : 1.0 μm以上
TIN PLATING : 1.0MICROMETER MINIMUM.
下地ニッケルメッキ:1.0 μm以上
Ni UNDER PLATE: 1.0MICROMETER MINIMUM.
 - 嵌合相手 : 503469-****/503473-****
MATE WITH: 503469-****/503473-****
 - 本製品のプラスチック部に色合い等が異なる場合がありますが、製品性能に影響はありません。
THERE IS NO INFLUENCE IN THE PRODUCT PERFORMANCE THOUGH THE PLASTIC PART WITH THE SHADE MIGHT BE DIFFERENT.
 - ELV及びRoHS適合品
ELV AND RHS COMPLIANT.



0.37200	503567-0210	2
重量 (g) WEIGHT(g)	PLASTIC BAG	CIRCUIT 極数
	オーダー番号 ORDER No.	
	コネクタシリーズ番号 CONNECTOR SERIES No.	
		503567-***10

RELEASED EC No: J2012-1346 DRWN:THANYU 2012/04/23 CHKD:KASAKAWA 2012/04/23 APPR:YO ITO 2012/04/24 REV 0	DESCRIPTION	GENERAL TOLERANCES (UNLESS SPECIFIED)	DIMENSION STYLE MM ONLY	SCALE 8:1	DESIGN UNITS METRIC	THIRD ANGLE PROJECTION
		10 UNDER ±0.2	DRAWN BY THANYU	DATE 2012/04/23	TITLE 3.7LED CONN. CONNECTION REC.ASS'Y	
		10 OVER 30 UNDER ±0.25	CHECKED BY KASAKAWA	DATE 2012/04/23		
		30 OVER ±0.3	APPROVED BY YO ITO	DATE 2012/04/24		
		ANGULAR ±1 °	MATERIAL NO.	SEE CHART	DOCUMENT NO.	SD-503567-001
	DRAFT WHERE APPLICABLE MUST REMAIN WITHIN DIMENSIONS	SIZE A3	THIS DRAWING CONTAINS INFORMATION THAT IS PROPRIETARY TO MOLEX INCORPORATED AND SHOULD NOT BE USED WITHOUT WRITTEN PERMISSION			

<嵌合状態図(参考)> 503469-****/503473-****/503567-****
 <MATED CONNECTOR (REFERENCE)>



RELEASED EC NO: J2012-1346 DRWN: THANYU 2012/04/23 CHKD: KASAKAWA 2012/04/23 APPR: YOITO 2012/04/24	GENERAL TOLERANCES (UNLESS SPECIFIED)		DIMENSION STYLE MM ONLY	SCALE 5:1	DESIGN UNITS METRIC	THIRD ANGLE PROJECTION
	10 UNDER	±0.2	DRAWN BY THANYU	DATE 2012/04/23	TITLE 3.7LED CONN. CONNECTION REC.ASS'Y	
	10 OVER 30 UNDER	±0.25	CHECKED BY KASAKAWA	DATE 2012/04/23		
	30 OVER	±0.3	APPROVED BY YOITO	DATE 2012/04/24	molex DOCUMENT NO. SD-503567-001 SHEET NO. 2 OF 2	
ANGULAR ±1 °		MATERIAL NO. SEE SHEET 1				
DRAFT WHERE APPLICABLE MUST REMAIN WITHIN DIMENSIONS		SIZE A3		THIS DRAWING CONTAINS INFORMATION THAT IS PROPRIETARY TO MOLEX INCORPORATED AND SHOULD NOT BE USED WITHOUT WRITTEN PERMISSION		