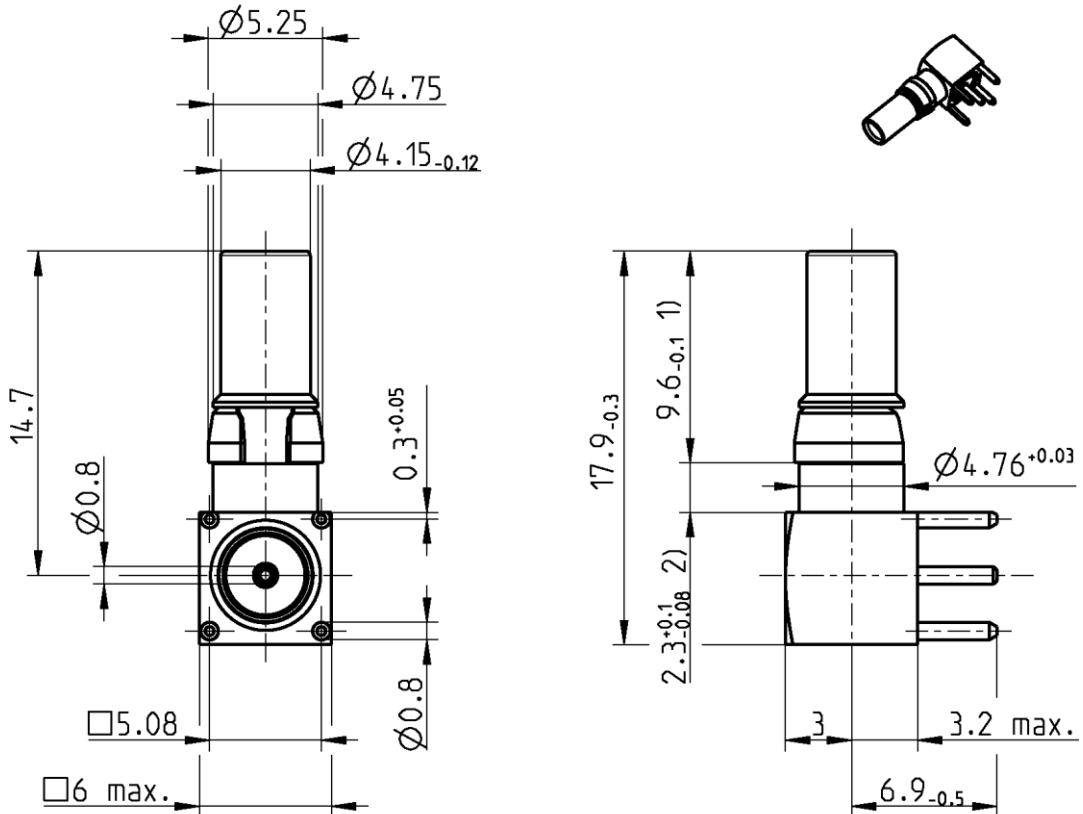


Insert Coax  
1.0-2.3  
DIN 41626

Right Angle Jack PCB

**45K201-400L5**



- 1) Measured when retaining clip is fully pushed towards contact area.
- 2) The border dimension includes the necessary axial misalignment of the retaining clip.

All dimensions are in mm; tolerances according to ISO 2768 m-H

**Interface**

According to DIN 41626-T2, BS 9525 F0011

**Documents**

PCB layout B 30c

**Material and plating**

**Connector parts**

Center contact	CuBe	AuroDur®, gold plated
Outer contact	Brass	AuroDur®, gold plated
Body	Brass	Gold, 0.1 µm min.
Clip	CuBe	Nickel, 2.5-5 µm
Dielectric	PTFE	

Insert Coax  
1.0-2.3  
DIN 41626

Right Angle Jack PCB

**45K201-400L5**

**Electrical data**

Impedance 50 Ω  
 Frequency DC to 6 GHz  
 Return loss ≥ 25 dB, DC to 2 GHz  
 ≥ 23 dB, 2 to 4 GHz  
 ≥ 16 dB, 4 to 6 GHz  
 Insertion loss ≤ 0.1 x √f(GHz) dB  
 Insulation resistance ≥ 200 MΩ  
 Center contact resistance ≤ 10 mΩ  
 Outer contact resistance ≤ 3 mΩ  
 Test voltage 750 V rms  
 Working voltage 250 V rms  
 RF-leakage ≥ 80 dB up to 0.5 GHz  
 ≥ 65 dB up to 1.5 GHz

- VSWR in application depends decisive on PCB layout -

**Mechanical data**

Mating cycles ≥ 500  
 Center contact captivation ≥ 10 N  
 Connector captivation in plastic ≥ 52 N  
 Engaging and disengaging force ≤ 10 N

**Environmental data**

Temperature range -55°C to +125°C  
 Climatic class IEC 60068-2-1 55/125/21  
 IEC 60068-2-2  
 IEC 60068-2-3  
 Max. soldering temperature IEC 61760-1, +260°C for 10 sec.  
 RoHS compliant

**Tooling**

N/A

**Suitable cables**

N/A

**Weight**

Weight 2.3 g/pce

While the information has been carefully compiled to the best of our knowledge, nothing is intended as representation or warranty on our part and no statement herein shall be construed as recommendation to infringe existing patents. In the effort to improve our products, we reserve the right to make changes judged to be necessary.

For the installation of the electrotechnical equipment, particular electrotechnical expertise is required.



Draft	Date	Approved	Date	Rev.	Engineering change number	Name	Date
Wengler Jürgen	13.09.04	Chr. Janßen	01.12.20	c00	20-1927	S. Huber-Siegl	01.12.20

Rosenberger Hochfrequenztechnik GmbH & Co. KG P.O.Box 1260 D-84526 Tittmoning Germany <a href="http://www.rosenberger.com/">http://www.rosenberger.com/</a>				Tel. : +49 8684 18-0 Email : <a href="mailto:info@rosenberger.com">info@rosenberger.com</a>		Page 2 / 2	
---	--	--	--	--	--	---------------	--