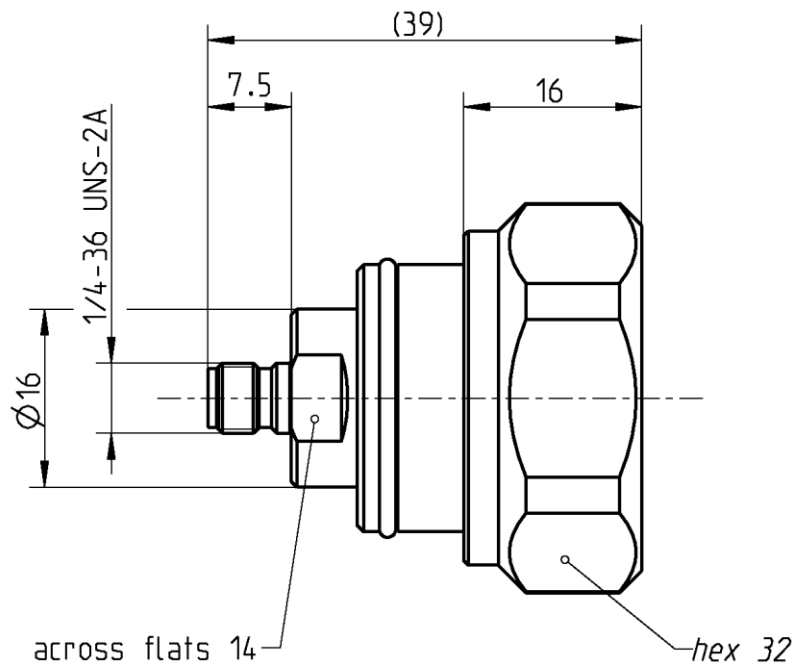


SMA

Adaptor  
SMA Jack – 7-16 Plug

**32K160-S00N5**



All dimensions are in mm; tolerances according to ISO 2768 m-H

**Interface**

According to	SMA side:	IEC 60169-15, EN 122110, MIL-STD-348A, Fig. 310
	7-16 side:	IEC 61169-4, EN 122190, DIN 47223

**Documents**

N/A

**Material and plating**

**Connector parts**

Center contact  
Outer contact SMA  
Outer contact 7-16  
Dielectric  
Gasket

**Material**

CuBe  
Brass  
Brass  
PTFE  
Silicone

**Plating**

AuroDur®, gold plated  
Flash white bronze over silver(e.g. Optargen®)  
White bronze(e.g. Optalloy®)

Dieses Dokument ist urheberrechtlich geschützt • This document is protected by copyright • Rosenberger Hochfrequenztechnik GmbH & Co. KG

RF\_35/09.14/6.2

SMA

Adaptor  
SMA Jack – 7-16 Plug

**32K160-S00N5**

**Electrical data**

Impedance	50 Ω	
Frequency	DC to 8.3 GHz	
Return loss	≥ 34 dB, DC to 2.5 GHz	
	≥ 21 dB, 2.5 to 8.3 GHz	
Insertion loss	≤ 0.03 x √f(GHz) dB	
Insulation resistance	≥ 5 x10 <sup>3</sup> MΩ	
Center contact resistance	≤ 3 mΩ, SMA side	≤ 0.4 mΩ, 7-16 side
Outer contact resistance	≤ 2 mΩ, SMA side	≤ 1.5 mΩ, 7-16 side
Test voltage	1000 V rms	
Working voltage	480 V rms	
Power handling (at 20 °C, sea level, VSWR 1.0)	≤ 200 W @ 2 GHz	
RF-leakage	≥ 100 dB up to 1 GHz	
Intermodulation (3 <sup>rd</sup> order)	≤ -120 dBm @ 2 x 20 W, 1800 MHz	

**Mechanical data**

	SMA side	7-16 side
Mating cycles	min. 100	min. 500
Coupling nut retention	N/A	≥ 1000 N
Center contact captivation: axial	≥ 200 N	≥ 200 N
Coupling test torque	max. 0.6 Nm	max. 35 Nm
Recommended torque	0.5 Nm	25 to 30 Nm

**Environmental data**

Temperature range	-65°C to +165°C
Thermal shock	MIL-STD-202, Meth. 107, Cond. B
Corrosion	MIL-STD-202, Meth. 101, Cond. B
Vibration	MIL-STD-202, Meth. 204, Cond. D
Shock	MIL-STD-202, Meth. 213, Cond. I
Moisture resistance	MIL-STD-202, Meth. 106
RoHS	compliant

**Tooling**

N/A

**Suitable cables**

N/A

**Weight**

Weight 98 g/pce

While the information has been carefully compiled to the best of our knowledge, nothing is intended as representation or warranty on our part and no statement herein shall be construed as recommendation to infringe existing patents. In the effort to improve our products, we reserve the right to make changes judged to be necessary.

For the installation of the electrotechnical equipment, particular electrotechnical expertise is required.



Dieses Dokument ist urheberrechtlich geschützt • This document is protected by copyright • Rosenberger Hochfrequenztechnik GmbH & Co. KG

RF\_35/09.14/6.2

Draft	Date	Approved	Date	Rev.	Engineering change number	Name	Date
König A.	08.10.04	Chr. Janßen	09.11.20	f00	20-1927	S. Huber-Siegl	09.11.20
Rosenberger Hochfrequenztechnik GmbH & Co. KG P.O.Box 1260 D-84526 Tittmoning Germany <a href="http://www.rosenberger.de">www.rosenberger.de</a>					Tel. : +49 8684 18-0 Email : <a href="mailto:info@rosenberger.de">info@rosenberger.de</a>		Page 2 / 2