



0.82-4.2 GHz

Type N Coaxial 90° Hybrids

- Broadband Coverage
- Signal Isolation Over a Complete Band
- Low VSWR
- Flat Frequency Response
- Up to 500 W Power Handling

Specifications

90°, Type N (F), 0.82 to 4.2 GHz, High Power

FREQUENCY RANGE (GHz)	MODEL	NOMINAL COUPLING (dB)	VSWR (max.)	INSERTION LOSS (dB max.)	ISOLATION (dB min.)	AMPLITUDE BALANCE (dB)	PHASE BALANCE	POWER		WEIGHT	
								AVERAGE (W)	PEAK (kW)	lb.	gr.
0.82-0.98	3322	3	1.25	0.20	20	±0.25	±5°	500	10	1.30	600
0.95-2.00	3032	3	1.20	0.30	20	±0.25	±5°	200	5	1.55	700
1.70-4.20	3033B*	3	1.30	0.40	20	±0.40	±5°	200	5	1.10	500

* Custom order models available upon request, consult the factory

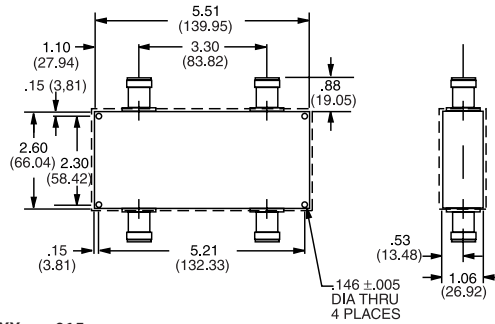
NOTE:

See page 175 for High Power Type N (M) Termination, normally required for typical dividing or combining function.



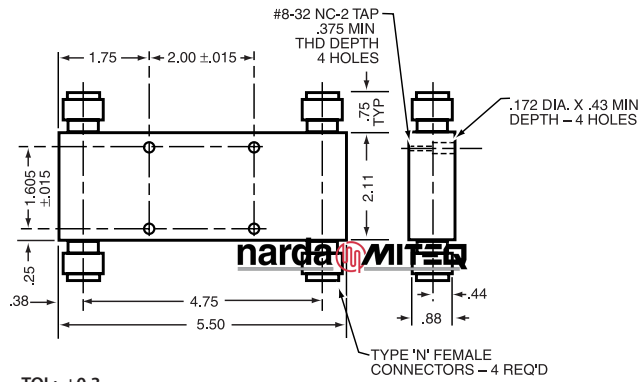
Hybrids

Outline Drawings



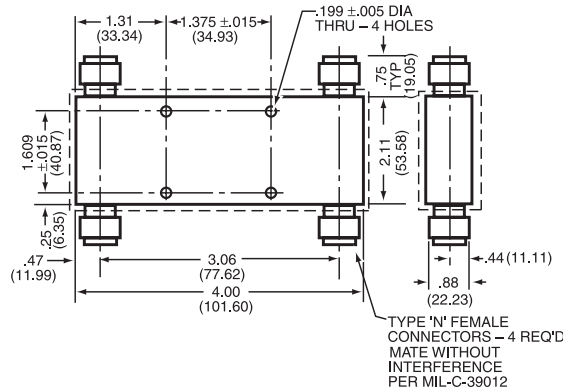
TOL: XXX = ±.015
XX = ±.02

MODEL 3322*



TOL: ±0.3

MODEL 3032



MODEL 3033B*

*Allow .020 for sealant build-up per surface.
Dimensions in inches (mm in parentheses), unless otherwise specified.