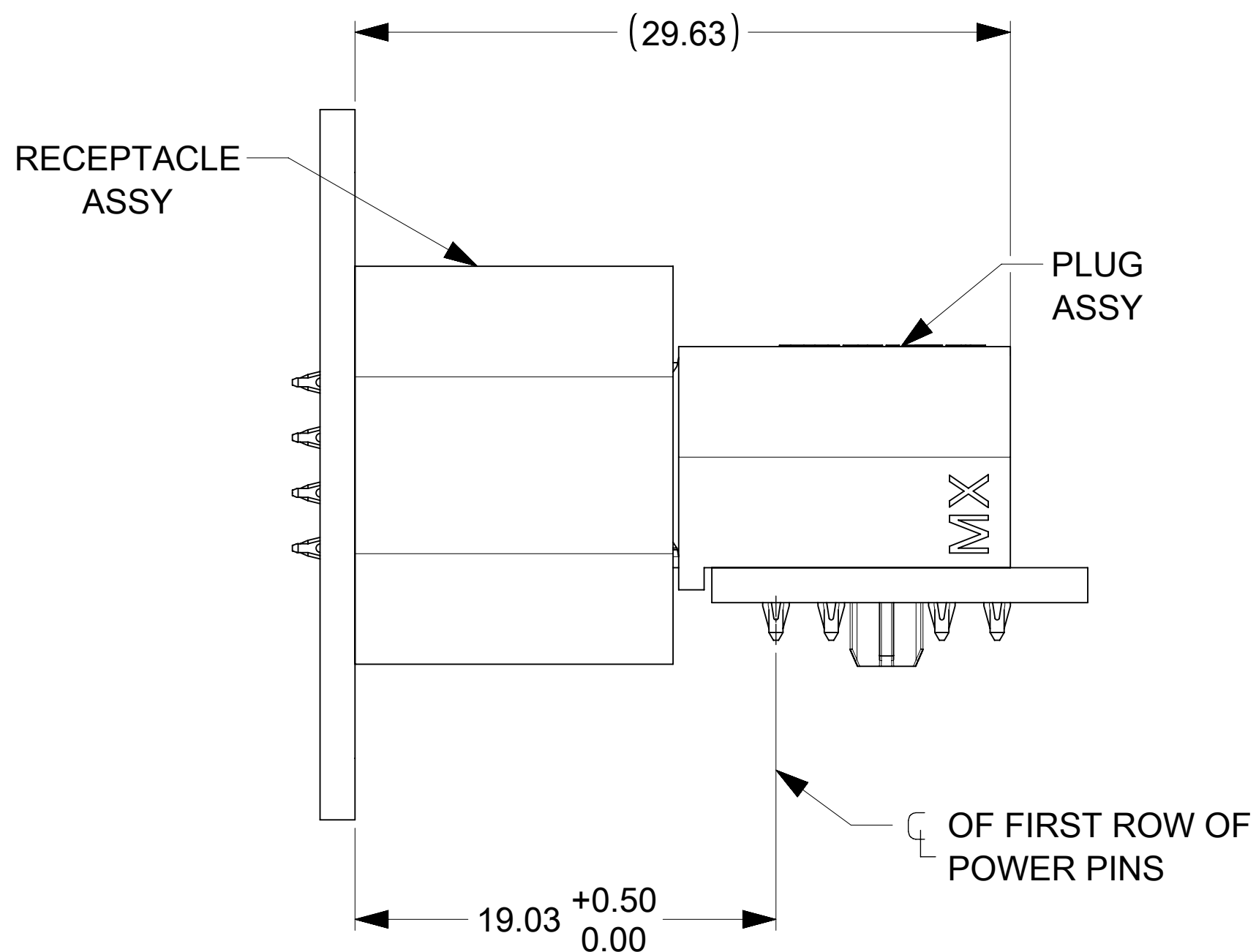
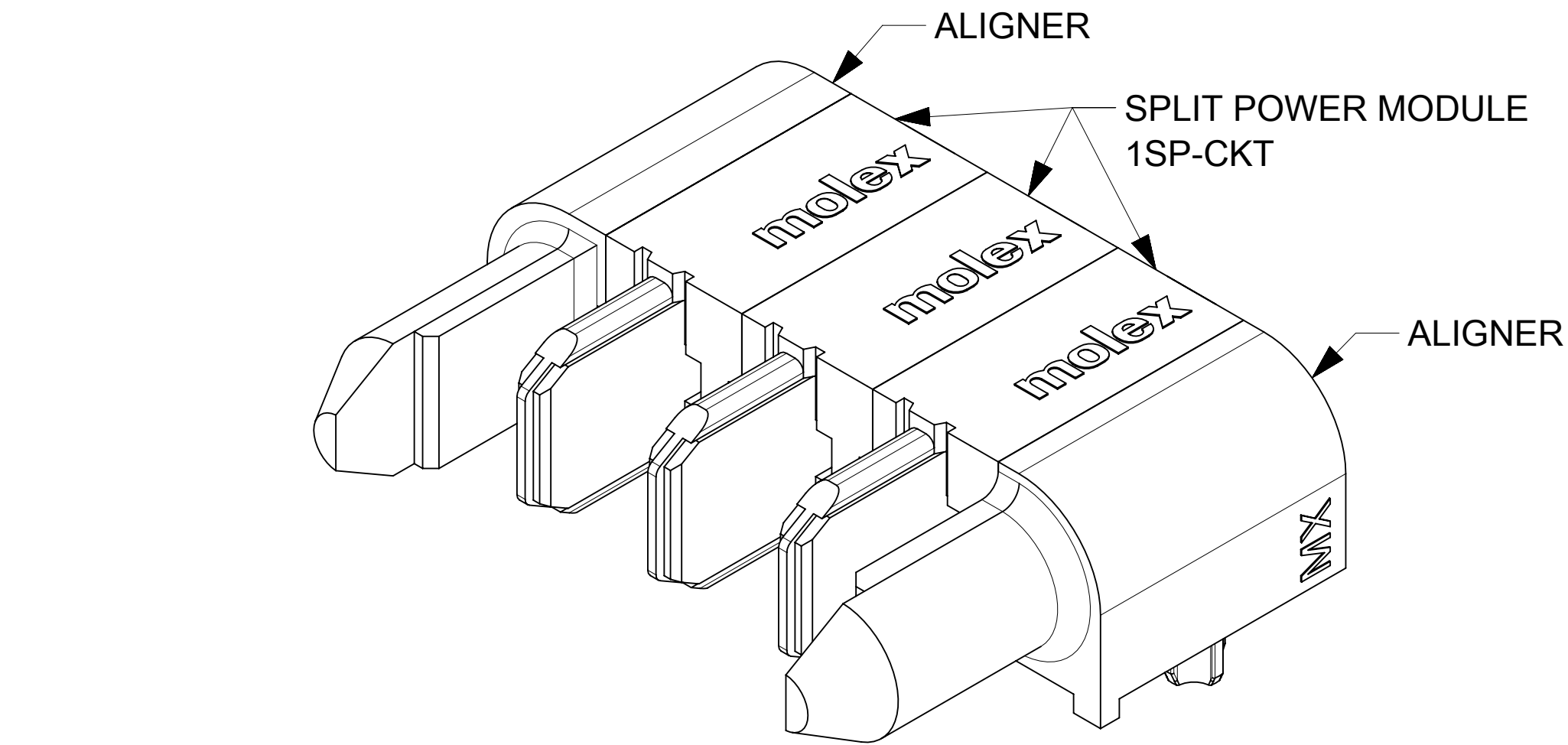


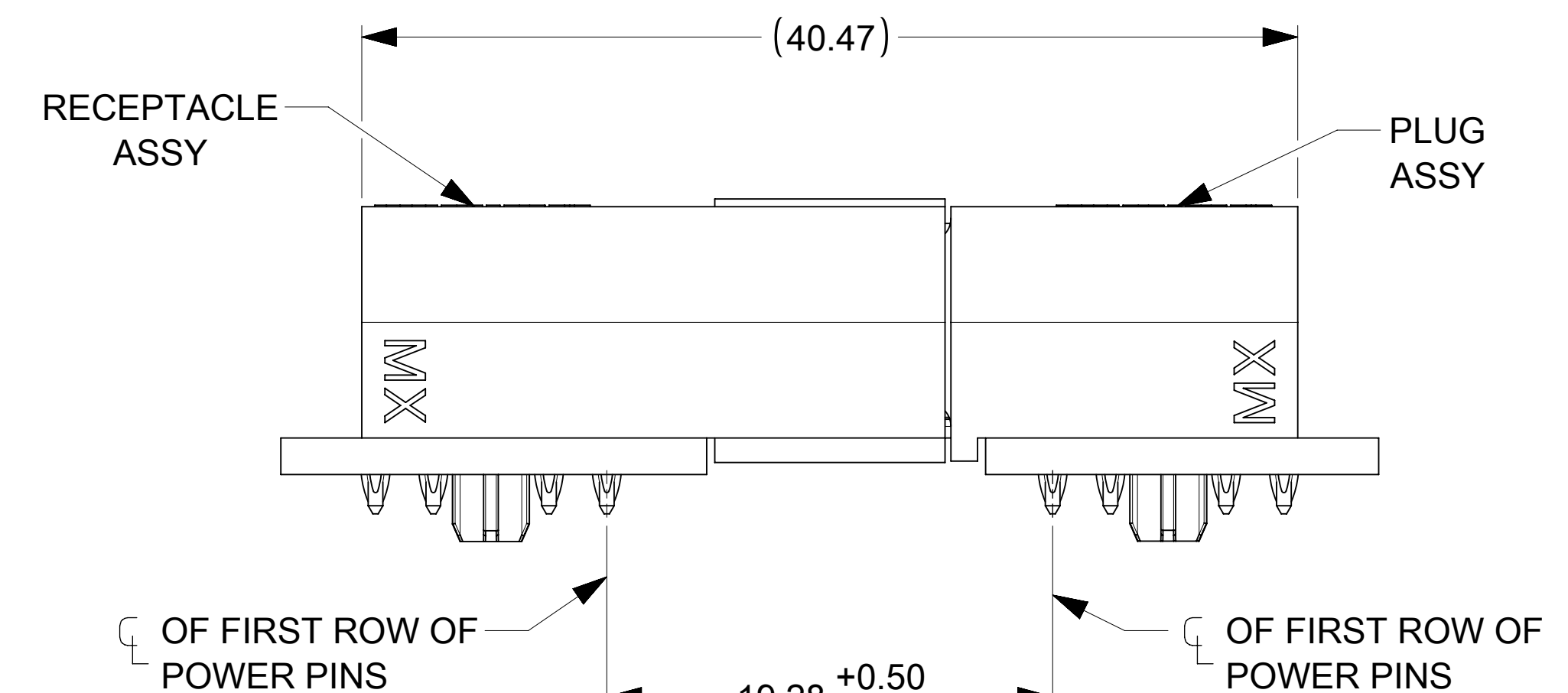
SECTION A-A



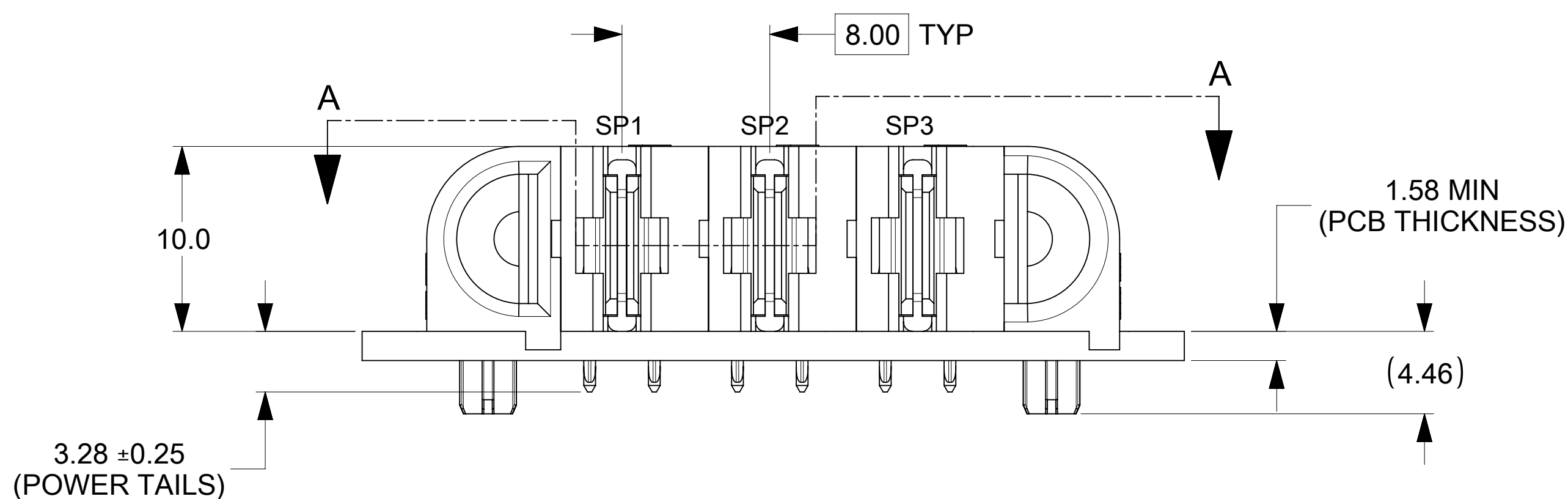
MATED PROFILE
(MATED WITH VERT RECEPTACLE ASSY)



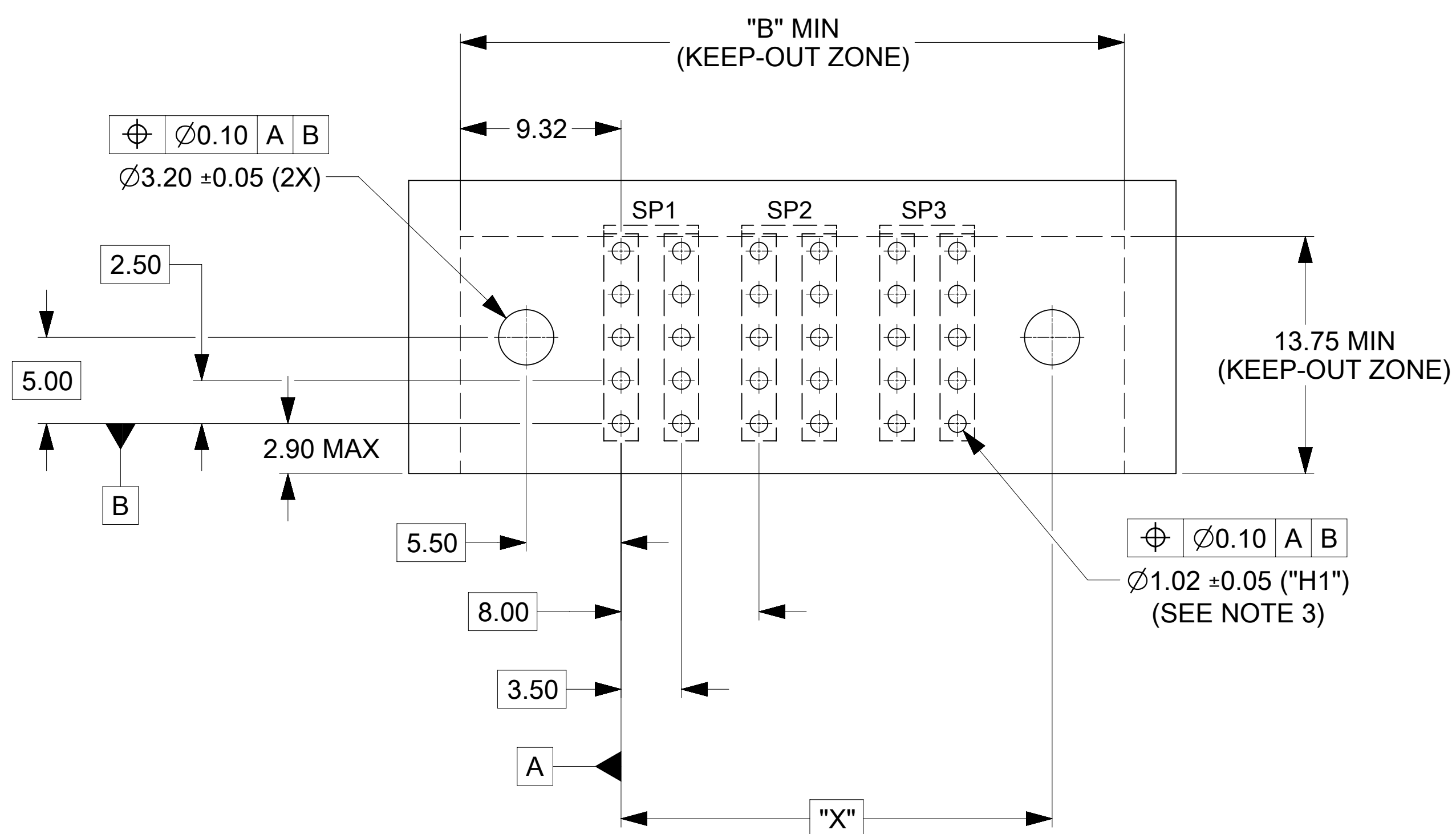
P/N: 171088-8403 (G-3SP-G)



MATED PROFILE
(MATED WITH R/A RECEPTACLE ASSY)



RECOMMENDED PCB LAYOUT AND KEEP-OUT ZONE FOR G-(1SP TO 3SP)-G



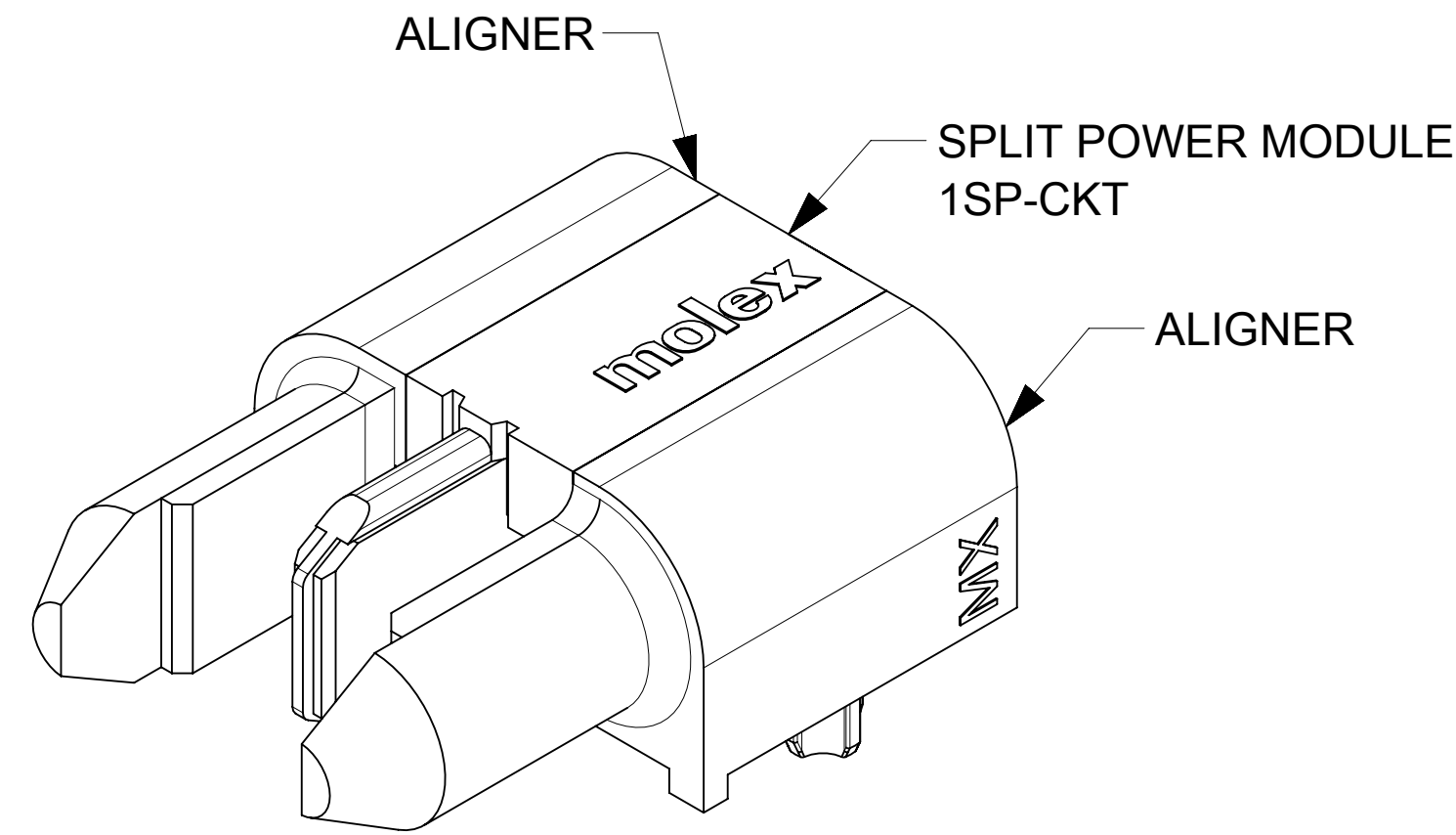
NOTES:

- MATERIAL:
 - HOUSINGS: LCP UL94, V-0, COLOR : BLACK
 - TERMINALS: HIGH CONDUCTIVITY COPPER ALLOY
 - PLATING: 1.27 MICROMETER (50 MICROINCH) NICKEL OVERALL WITH 2.54 MICROMETER (100 MICROINCH) SELECTIVE TIN ON TAILS AND 0.762 MICROMETER (30 MICROINCH) SELECTIVE GOLD ON CONTACT AREA
- PACKAGING: ASSEMBLIES TO BE TRAY PACKED PER PACKAGING SPEC: 1710881001-PK
- PLATED THRU HOLE SIZE, REFER TO PS-171088-0000 FOR DETAILS
- PRODUCT SPEC: PS-171088-0000
- PRODUCT TO MEET RoHS REQUIREMENTS
- ASSEMBLY MATES TO MOLEX RECEPTACLE ASSEMBLY P/N 171089-**** AND 171090-**** (SEE TABLE IN SHEET 2)
- TAIL DESIGN: COMPLIANT PIN
- POWER CONTACTS ARE LUBRICATED.
- APPLICATION SPEC: AS-46436-100
- MOLEX LOGO TO BE LOCATED APPROXIMATELY AS SHOWN.

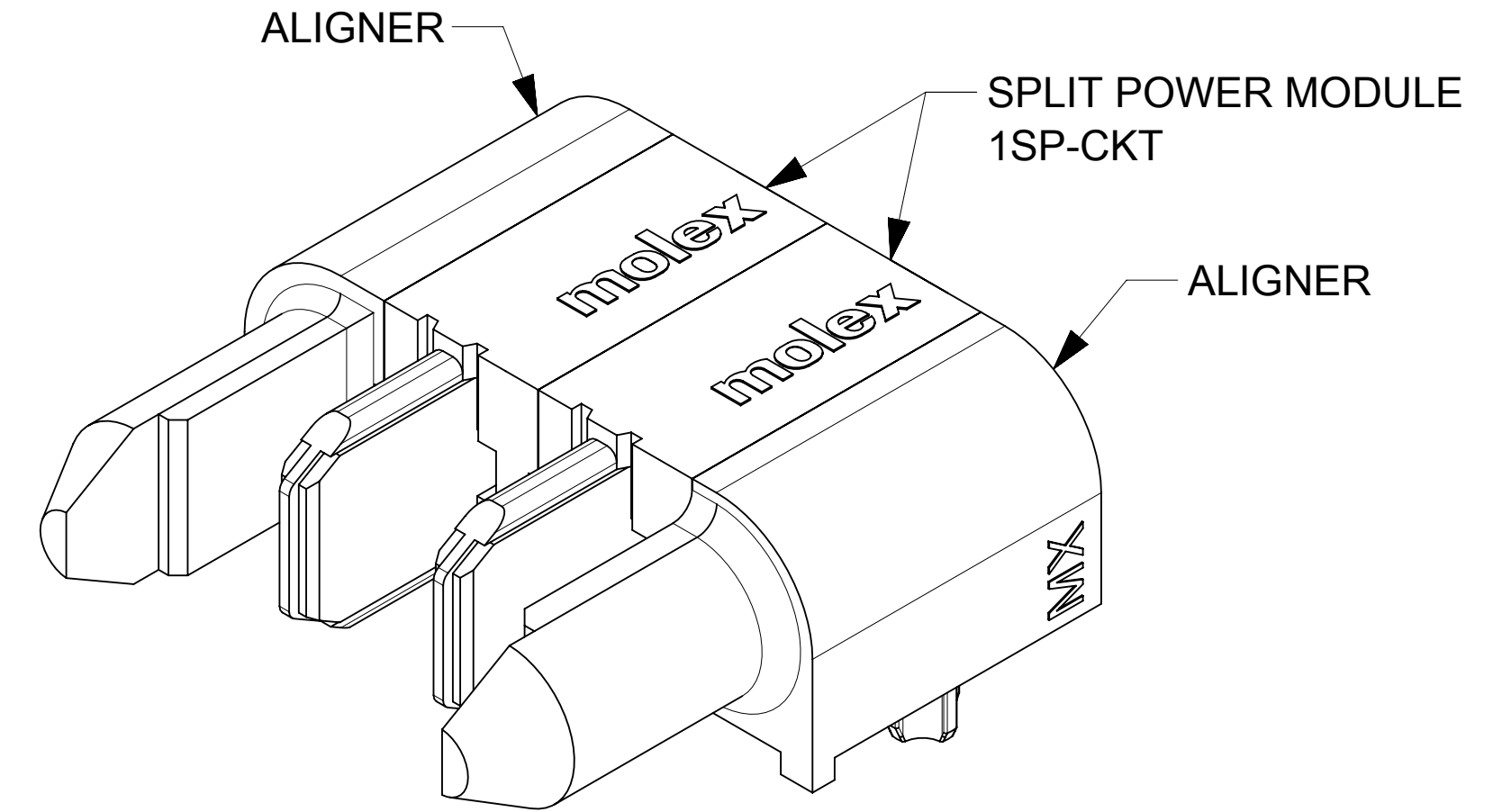
THIS DRAWING CONTAINS INFORMATION THAT IS PROPRIETARY TO MOLEX ELECTRONIC TECHNOLOGIES, LLC AND SHOULD NOT BE USED WITHOUT WRITTEN PERMISSION																	
DIMENSION UNITS	SCALE	CURRENT REV DESC: REMOVED P/N 8404 TO 8410															
mm	4:1	<p style="text-align: center;">G-[*]SP-G R/A PLUG ASSY - TEN60 SPLIT POWER</p> <p style="text-align: center;">PRODUCT CUSTOMER DRAWING</p> <table border="1" style="width: 100%; border-collapse: collapse;"> <tr> <td>DOCUMENT NUMBER</td> <td>DOC TYPE</td> <td>DOC PART</td> <td>REVISION</td> </tr> <tr> <td style="text-align: center;">1710888410</td> <td style="text-align: center;">PSD</td> <td style="text-align: center;">000</td> <td style="text-align: center;">A2</td> </tr> </table>								DOCUMENT NUMBER	DOC TYPE	DOC PART	REVISION	1710888410	PSD	000	A2
DOCUMENT NUMBER	DOC TYPE									DOC PART	REVISION						
1710888410	PSD									000	A2						
GENERAL TOLERANCES (UNLESS SPECIFIED)																	
ANGULAR TOL	± 0.5°																
4 PLACES	±																
3 PLACES	±																
2 PLACES	± 0.13																
1 PLACE	± 0.25																
0 PLACES	±																
DRAFT WHERE APPLICABLE MUST REMAIN WITHIN DIMENSIONS		THIRD ANGLE PROJECTION	DRAWING	SERIES	MATERIAL NUMBER	CUSTOMER	SHEET NUMBER										
			D-SIZE	171088	SEE TABLE	GENERAL MARKET	1 OF 2										

REFER TO BELOW TABLE FOR DIMENSIONS.

FG P/N	CONFIGURATION	POWER CKT SIZE	DIM "A" (IN MM)	DIM "B" (IN MM)	DIM "X" (IN MM)	HOLES COUNT "H1"	MATES WITH R/A ASSY P/N	MATES WITH VERT ASSY P/N
1710888401	G-1SP-G	1	21.50	22.50	9.00	10	1710908401	1710898401
1710888402	G-2SP-G	2	29.50	30.50	17.00	20	1710908402	1710898402
1710888403	G-3SP-G	3	37.50	38.50	25.00	30	1710908403	1710898403



P/N: 171088-8401 (G-1SP-G)



P/N: 171088-8402 (G-2SP-G)

THIS DRAWING CONTAINS INFORMATION THAT IS PROPRIETARY TO MOLEX ELECTRONIC TECHNOLOGIES, LLC AND SHOULD NOT BE USED WITHOUT WRITTEN PERMISSION													
DIMENSION UNITS	SCALE	CURRENT REV DESC: REMOVED P/N 8404 TO 8410											
mm	4:1	<div style="text-align: center; font-size: 24pt; font-weight: bold;">molex</div> <p>G-*SP-G R/A PLUG ASSY - TEN60 SPLIT POWER</p> <p>PRODUCT CUSTOMER DRAWING</p>											
GENERAL TOLERANCES (UNLESS SPECIFIED)													
ANGULAR TOL	± 0.5°												
4 PLACES	±												
3 PLACES	±												
2 PLACES	± 0.13	EC NO: 707711	DRWN: KSUTAR		2022/05/19		DOC TYPE		DOC PART	REVISION			
1 PLACE	± 0.25	CHK'D: GJEEVANSURES		2022/05/23		APPR: HTHYAGARAJ		2022/06/08		1710888410	PSD	000	A2
0 PLACES	±	INITIAL REVISION:		DRWN: KSUTAR		2021/09/22		2021/11/08					
DRAFT WHERE APPLICABLE MUST REMAIN WITHIN DIMENSIONS		THIRD ANGLE PROJECTION	DRAWING	SERIES	MATERIAL NUMBER	CUSTOMER	SHEET NUMBER						
			D-SIZE	171088	SEE TABLE	GENERAL MARKET	2 OF 2						