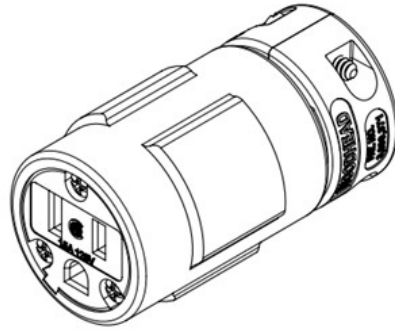




# Product Change Notification

<b>Date Issued :</b>	July 28, 2022	<b>PCN Number :</b>	512269
<b>Reason for Change :</b>	Packaging Method/Quantity Changing		
<b>Description of Change :</b>	Align DU with packaging method.		
<b>Assessment of Change :</b>	First Article Inspection		
<b>Planned Implementation Date :</b>	February 03, 2023		
<b>Sample Availability Date:</b>	August 02, 2022		
<b>Internal Molex Qualification Date :</b>	September 08, 2022		
<b>Last date to request Samples by Customer :</b>	August 25, 2022		

Before Picture



SUPER-SAFEWAY

1

1

Molex Confidential Information  
© 2016 Molex – All Rights Reserved. Unauthorized Reproduction/Distribution is Prohibited.



After Picture

## Overview

- This notification is to inform you about part(s) listed in this notice that will undergo changes for new Delivery unit. No changes will be made to the product as a result of this change.
  
- Product Impact
  - No impact to fit, form or function.
  
- Part Number Impact
  - See attached impacted parts list.
  
- NO samples available.

2

Molex Confidential Information  
© 2016 Molex – All Rights Reserved. Unauthorized Reproduction/Distribution is Prohibited.

The Molex logo, consisting of the word "molex" in a bold, lowercase, sans-serif font. The letters are red, and there is a registered trademark symbol (®) to the upper right of the letter "x".

# RELEASED

**Additional Information :**

**Additional description**

- To facilitate the handling, storage, and shipping, the team requested an update on the DU and MOQ of this product. NO affectation to the product.

3

Molex Confidential Information  
© 2016 Molex – All Rights Reserved. Unauthorized Reproduction/Distribution is Prohibited.



RELEASED

You may address inquires regarding this PCN by clicking on the below link  
[mailto:pcn\\_coordinator@molex.com?subject=PCN\\_Notification:512269](mailto:pcn_coordinator@molex.com?subject=PCN_Notification:512269)  
or contact your Local Sales Engineer.

Note: While responding, please retain " PCN Notification : **PCN Notification: 512269** " in the e-mail Subject line for faster response.

[Molex, LLC](#)  
2222 Wellington Court  
Lisle, IL 60532  
TEL (800) 786-6539  
[www.molex.com](http://www.molex.com)

### Updated Quantity Template

before

after

Molex Part Number	Current	Current	New Standard Pack Quantity (DU)	New Minimum Order Quantity
	Standard Pack Quantity (DU)	Minimum Order Quantity		
1301410031	1.00	5.00	10.00	10.00