

MATERIAL NO.	ENGINEERING NO.	FINISHED LENGTH
1300120382	339020A01F030	3 FT (0.91 M)
1300120399	339020A01F300	30 FT (9.14 M)
1300120409	339020A01F750	75 FT (22.86 M)

**CABLE LENGTH TOLERANCES**

<.3M [1FT]: +19mm-0 [ +.75in-0]

.3 - .9M [1 - 3FT]: +44.5mm-0 [+1.75in-0]

.9 - 1.8M [3 - 6FT]: +55.6mm-0 [+2.19in-0]

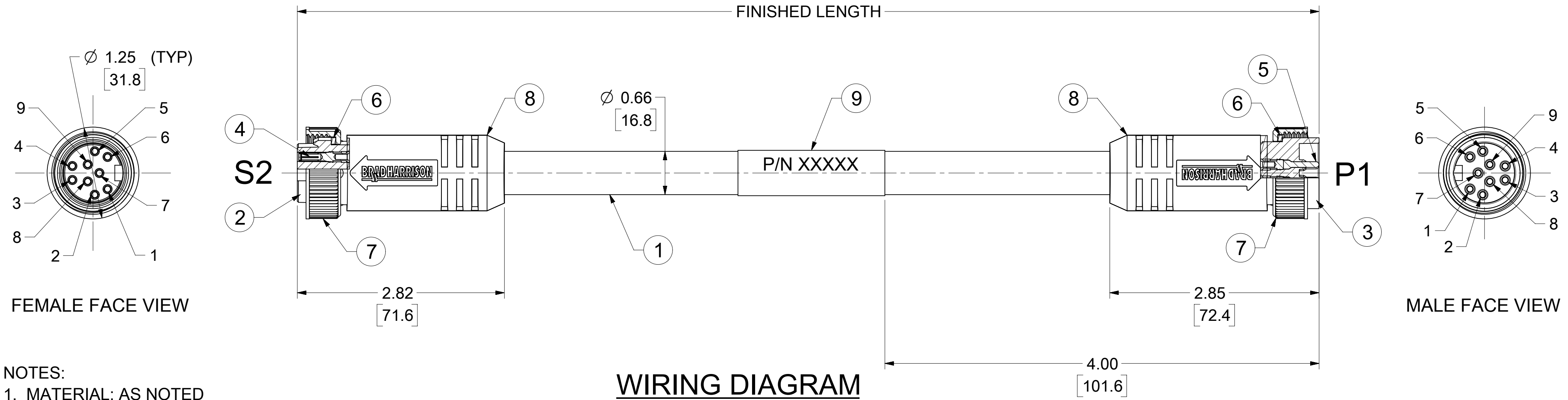
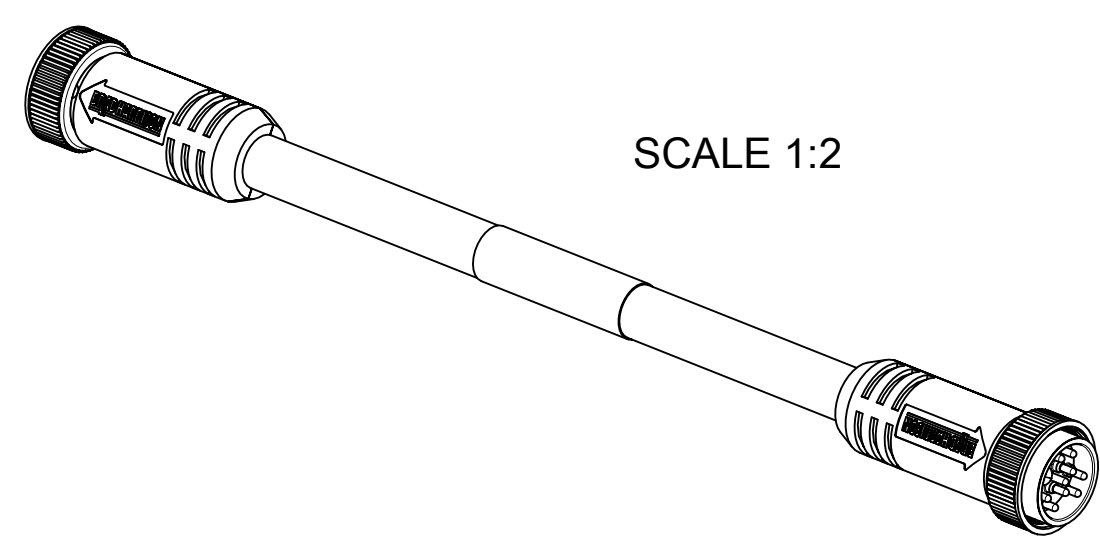
1.8 - 3.7M [6 - 12FT]: +88.9mm-0 [+3.50in-0]

3.7 - 7.3M [12 - 24FT]: +165.1mm-0 [+6.50in-0]

7.3-14.6M [24 - 48FT]: +317.5mm-0 [+12.50in-0]

14.6 - 30.5M [48-100FT]: +622.3mm-0 [+24.50in-0]

OVER 30M [100FT] +2% OF FINISHED LENGTH



- NOTES:**
- MATERIAL: AS NOTED
  - FINISH: AS NOTED
  - ELECTRICAL:  
VOLTAGE: 320V PER IEC60664  
600V PER UL2238  
CURRENT: 7A
  - TEMP RATING: -20°C TO +105°C
  - PROTECTION: IP67 (WHEN MATED)
  - CSA CERTIFIED FILE: LR6837
  - UL RECOGNIZED FILE: E152210
  - COUPLING THREAD: 1 1/8"-16UN
  - ASSEMBLY IS ROHS COMPLIANT
  - ALL DIMS ARE FOR REFERENCE UNLESS TOLERANCED OR NOTED OTHERWISE

**WIRING DIAGRAM**

S2		P1	
1	ORANGE	1	
2	BLUE	2	
3	RED/BLACK	3	
4	GREEN/BLACK	4	
5	WHITE	5	
6	RED	6	
7	GREEN/YELLOW	7	
8	WHITE/BLACK	8	
9	BLACK	9	

**PART NUMBER LEGEND**

339020A01F030

FINISHED LENGTH  
F001= .1 FT  
F020= 2 FT  
F200= 20 FT

ITEM	DESCRIPTION	MATERIAL	FINISH
9	WRAP LABEL	VINYL	BLACK/YELLOW
8	OVERMOLD	TPE	YELLOW
7	COUPLING NUT	ZINC DIE CAST	BLACK E-COAT
6	FRICITION RING	NYLON	WHITE
5	PIN CONTACT	Cu ALLOY	GOLD OVER NICKEL
4	SOCKET CONTACT	Cu ALLOY	GOLD OVER NICKEL
3	MALE INSERT	TPE	YELLOW
2	FEMALE INSERT	TPE	YELLOW
1	#16-9 CABLE, STOOV/ST	PVC JACKET	YELLOW

THIS DRAWING CONTAINS INFORMATION THAT IS PROPRIETARY TO MOLEX ELECTRONIC TECHNOLOGIES, LLC AND SHOULD NOT BE USED WITHOUT WRITTEN PERMISSION											
FUNCTIONAL SYMBOLS	DIMENSION UNITS		SCALE		CURRENT REV DESC: UPDATED ITEM #2,3,8,9, MATERIAL P/N TABLE. ADDED CSA, UL, IEC VOLT, TEMP RATING, IP RATING, TOL.CHART & PART NUMBER LEGEND						
FA=0	mm	1:1		EC NO: 701162							
FC=0	GENERAL TOLERANCES (UNLESS SPECIFIED)				DRWN: AKABADI 2021/11/15						
FP=0	4 PLACES ±		MM		INCH		CHK'D: RSTONE 2022/03/30				
DIVISIONAL SYMBOLS	3 PLACES ±		MM		INCH		APPR: BWOODMAN 2022/04/08				
1 PLACE ±				INITIAL REVISION:							
0 PLACES ±				DRWN: RSTONE 2009/03/26				DOCUMENT NUMBER			
ANGULAR TOL ± °				APPR: JFMURPHY 2009/04/01				DOC TYPE   DOC PART   REVISION			
DRAFT WHERE APPLICABLE MUST REMAIN WITHIN DIMENSIONS				THIRD ANGLE PROJECTION		DRAWING		SERIES		MATERIAL NUMBER	
				C-SIZE		130012		CUSTOMER		SHEET NUMBER	
								SEE TABLE		GENERAL MARKET 1 OF 1	