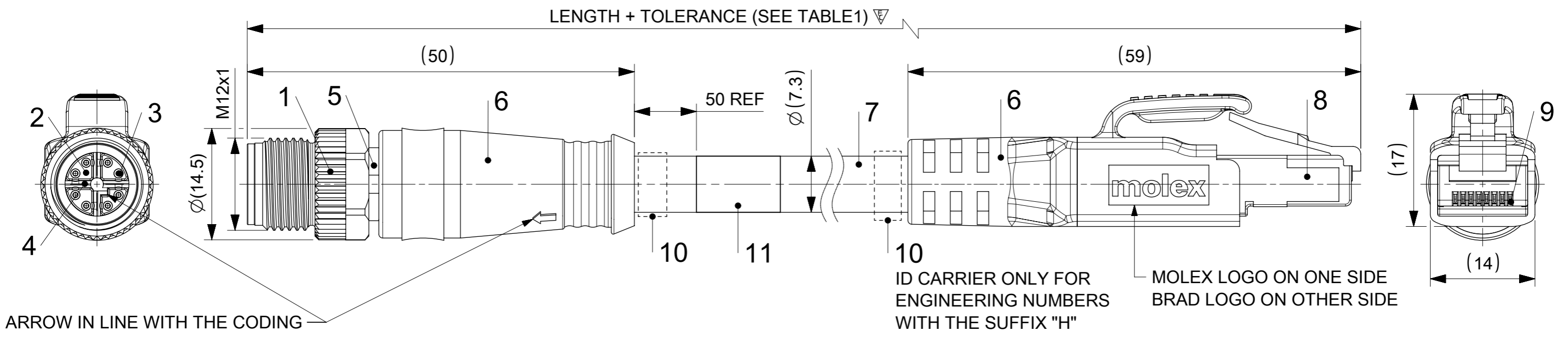


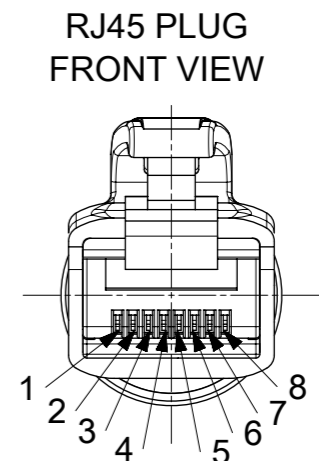
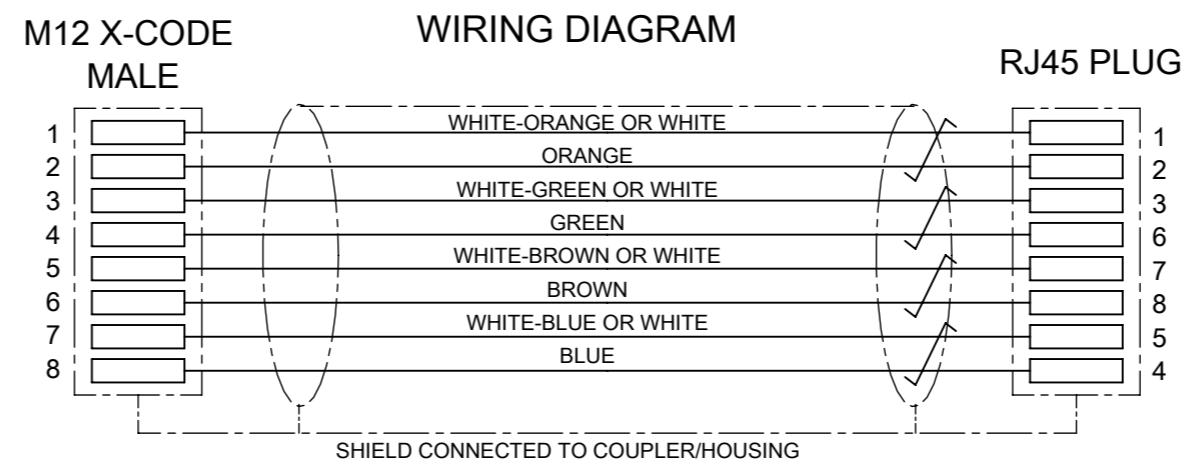
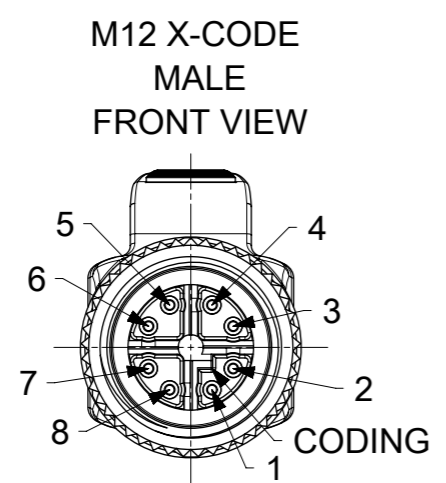
PART No. MATRIX

E 2 6 E 0 6 0 2 1 M X X X X

E=ETHERNET/Ethernet
 HEADS: 2 = M12 x Coding, 6 = RJ45
 HEADS STYLE: 060 = MALE STR / MALE STR
 CABLE TYPE: CABLE 21
 UNITS: M= METER, T= 10xMETER
 LENGTH EXAMPLES: 005=0.5 m, 010=1 m, 150=15 m, T100=100 m
 H= 2 PCS. OF I/D Carrier
 WIRING TYPE: E=8 Pole (STRAIGHT WIRED)

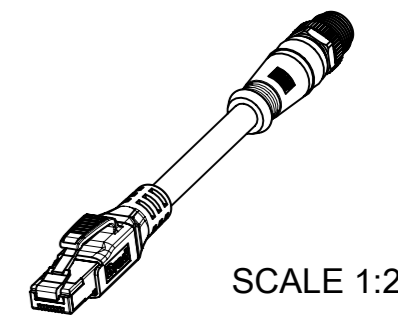


ARROW IN LINE WITH THE CODING
BRAD LOGO ON OTHER SIDE



BILL OF MATERIAL

| ITEM | QTY | DESCRIPTION | MATERIAL | FINISH/COLOR |
|------|---------------|----------------------------|-----------------|---------------------|
| 1 | 1 | COUPLING NUT | BRASS | Ni PLATED |
| 2 | 1 | INSERT | PA | BLACK |
| 3 | 8 | CONTACT M12 XC MALE | BRASS | Au PLATED |
| 4 | 1 | SHIELDING CROSS | Zn DIE-CAST | - |
| 5 | 1 | SHIELDING SHELL | BRASS | Ni PLATED |
| 6 | - | OVERMOULD | TPU | BLACK |
| 7 | 1 | CABLE 4X(2X AWG26/7) CAT 7 | TPE | GREEN |
| 8 | 1 | PLUG RJ45 | - | - |
| 9 | 8 | CONTACT RJ45 | PHOSPHOR BRONZE | SELECTIVE Au PLATED |
| 10 | SEE PN MATRIX | ID CARRIER | PVC | TRANSPARENT |
| 11 | 1 | LABEL 2.0X1.75 | VINYL | YELLOW |



| | | | | | |
|---|---|--|--------------------------------|------------------------------|------------------|
| FUNCTIONAL SYMBOLS ∇/A = 0 ∇/E = 1 ∇/V = 0 | THIS DRAWING CONTAINS INFORMATION THAT IS PROPRIETARY TO MOLEX ELECTRONIC TECHNOLOGIES, LLC AND SHOULD NOT BE USED WITHOUT WRITTEN PERMISSION | SCALE: 2:1 | CURRENT REV DESC: NOTE CHANGED | | |
| | DIMENSION UNITS: mm | GENERAL TOLERANCES (UNLESS SPECIFIED) | | EC NO: 692351 | |
| | ANGULAR TOL ± 1.0° | 4 PLACES ± | 3 PLACES ± | 2 PLACES ± 0.05 | 1 PLACE ± 0.3 |
| | 0 PLACES ± 0.5 | DRAFT WHERE APPLICABLE MUST REMAIN WITHIN DIMENSIONS | | THIRD ANGLE PROJECTION | DRAWING: A3-SIZE |
| DIVISIONAL SYMBOLS | DRWN: ARPITT 2022/01/19 | | 2022/01/25 | | |
| CHK'D: RSILLER | | APPR: RSILLER | | 2022/01/25 | |
| INITIAL REVISION: | | DRWN: RSCHEBER 2019/05/14 | | 2021/03/16 | |
| APPR: RSILLER | | SERIES: 120341 | | MATERIAL NUMBER: SEE TABLE 1 | |
| CUSTOMER: GENERAL MARKET | | SHEET NUMBER: 1 OF 2 | | DOCUMENT NUMBER: 1203410874 | |
| DOC TYPE: PSD | | DOC PART: 000 | | REVISION: A3 | |


TABLE 1

| MOLEX P/N | ENGINEERING NO. | DESCRIPTION | LENGTH |
|-----------------|-----------------|-------------------------------------|--------|
| 1203410874 | E26E06021M005 | M12 CAT6A M/RJ45 ST/ST TPE GREEN | 500 |
| 1203410875 | E26E06021M010 | M12 CAT6A M/RJ45 ST/ST TPE GREEN | 1000 |
| 1203410876 | E26E06021M020 | M12 CAT6A M/RJ45 ST/ST TPE GREEN | 2000 |
| 1203410877 | E26E06021M030 | M12 CAT6A M/RJ45 ST/ST TPE GREEN | 3000 |
| 1203410878 | E26E06021M040 | M12 CAT6A M/RJ45 ST/ST TPE GREEN | 4000 |
| 1203410879 | E26E06021M050 | M12 CAT6A M/RJ45 ST/ST TPE GREEN | 5000 |
| 1203410880 | E26E06021M060 | M12 CAT6A M/RJ45 ST/ST TPE GREEN | 6000 |
| 1203410897 | E26E06021M070 | M12 CAT6A M/RJ45 ST/ST TPE GREEN | 7000 |
| 1203410881 | E26E06021M080 | M12 CAT6A M/RJ45 ST/ST TPE GREEN | 8000 |
| 1203410898 | E26E06021M090 | M12 CAT6A M/RJ45 ST/ST TPE GREEN | 9000 |
| 1203410882 | E26E06021M100 | M12 CAT6A M/RJ45 ST/ST TPE GREEN | 10000 |
| 1203410883 | E26E06021M150 | M12 CAT6A M/RJ45 ST/ST TPE GREEN | 15000 |
| 1203410884 | E26E06021M200 | M12 CAT6A M/RJ45 ST/ST TPE GREEN | 20000 |
| WITH ID CARRIER | | | |
| 1203411039 | E26E06021M010H | M12 CAT6A M/RJ45 ST/ST TPE GREEN ID | 1000 |
| 1203411040 | E26E06021M020H | M12 CAT6A M/RJ45 ST/ST TPE GREEN ID | 2000 |
| 1203411041 | E26E06021M030H | M12 CAT6A M/RJ45 ST/ST TPE GREEN ID | 3000 |
| 1203411042 | E26E06021M040H | M12 CAT6A M/RJ45 ST/ST TPE GREEN ID | 4000 |
| 1203411043 | E26E06021M050H | M12 CAT6A M/RJ45 ST/ST TPE GREEN ID | 5000 |
| 1203411095 | E26E06021M060H | M12 CAT6A M/RJ45 ST/ST TPE GREEN ID | 6000 |
| 1203411097 | E26E06021M080H | M12 CAT6A M/RJ45 ST/ST TPE GREEN ID | 8000 |
| 1203411096 | E26E06021M070H | M12 CAT6A M/RJ45 ST/ST TPE GREEN ID | 7000 |
| 1203411004 | E26E06021M100H | M12 CAT6A M/RJ45 ST/ST TPE GREEN ID | 10000 |
| 1203411098 | E26E06021M120H | M12 CAT6A M/RJ45 ST/ST TPE GREEN ID | 12000 |
| 1203411005 | E26E06021M150H | M12 CAT6A M/RJ45 ST/ST TPE GREEN ID | 15000 |
| 1203411044 | E26E06021M200H | M12 CAT6A M/RJ45 ST/ST TPE GREEN ID | 20000 |
| 1203411099 | E26E06021M250H | M12 CAT6A M/RJ45 ST/ST TPE GREEN ID | 25000 |
| 1203411045 | E26E06021M300H | M12 CAT6A M/RJ45 ST/ST TPE GREEN ID | 30000 |
| 1203411046 | E26E06021M350H | M12 CAT6A M/RJ45 ST/ST TPE GREEN ID | 35000 |
| 1203411047 | E26E06021M400H | M12 CAT6A M/RJ45 ST/ST TPE GREEN ID | 40000 |
| 1203410989 | E26E06021M450H | M12 CAT6A M/RJ45 ST/ST TPE GREEN ID | 45000 |
| 1203411048 | E26E06021M500H | M12 CAT6A M/RJ45 ST/ST TPE GREEN ID | 50000 |
| 1203411049 | E26E06021M550H | M12 CAT6A M/RJ45 ST/ST TPE GREEN ID | 55000 |
| 1203410990 | E26E06021M600H | M12 CAT6A M/RJ45 ST/ST TPE GREEN ID | 60000 |
| 1203410991 | E26E06021M650H | M12 CAT6A M/RJ45 ST/ST TPE GREEN ID | 65000 |
| 1203410992 | E26E06021M700H | M12 CAT6A M/RJ45 ST/ST TPE GREEN ID | 70000 |
| 1203411050 | E26E06021M750H | M12 CAT6A M/RJ45 ST/ST TPE GREEN ID | 75000 |
| 1203410993 | E26E06021M800H | M12 CAT6A M/RJ45 ST/ST TPE GREEN ID | 80000 |
| 1203410994 | E26E06021M850H | M12 CAT6A M/RJ45 ST/ST TPE GREEN ID | 85000 |

NOTES:
 VOLTAGE RATING: 30 V A.C. OR 42 V D.C.
 CURRENT RATING: 0.5 A
 TEMPERATURE RATING:
 STATIC: -40 °C TO 80 °C
 DYNAMIC: -25 °C TO 80 °C
 IP RATING:
 M12 SIDE IP 67 (IN MATED AND LOCKED CONDITION)
 RJ45 SIDE IP 20
 TRANSMISSION CHARACTERISTICS ACCORDING TO ISO/IEC 11801 CLASS E_A CHANNEL,
 WITH INSERTION LOSS BEING IGNORED FOR CABLE LENGTHS <1 m OR >65 m
 PACKAGING: CORDSETS ARE PACKED IN A POLYBAG

CABLE LENGTH TOLERANCES

| LENGTH | TOLERANCE |
|--------------|------------|
| 0 m - 1 m | +40 mm |
| >1 m - 5 m | +60 mm |
| >5 m - 10 m | +80 mm |
| >10 m - 20 m | +140 mm |
| >20 m - 30 m | +160 mm |
| >30 m | +1% length |

| | | | | |
|--------------------|---|------------------------|---|---|
| FUNCTIONAL SYMBOLS | THIS DRAWING CONTAINS INFORMATION THAT IS PROPRIETARY TO MOLEX ELECTRONIC TECHNOLOGIES, LLC AND SHOULD NOT BE USED WITHOUT WRITTEN PERMISSION | | CURRENT REV DESC: NOTE CHANGED | |
| ▽/A = 0 | mm | SCALE 1:1 |  CSE M12 CAT6A RJ45 8P MA STR TPE XM SHLD PRODUCT CUSTOMER DRAWING | |
| ▽/E = 0 | GENERAL TOLERANCES (UNLESS SPECIFIED) | | | |
| ▽/P = 0 | ANGULAR TOL ± 1.0° | | | |
| DIVISIONAL SYMBOLS | 4 PLACES ± | EC NO: 692351 | 2022/01/19 | DOCUMENT NUMBER: 1203410874 DOC TYPE: PSD DOC PART: 000 REVISION: A3 |
| | 3 PLACES ± | DRWN: ARPITT | 2022/01/25 | |
| | 2 PLACES ± 0.05 | CHK'D: RSILLER | 2022/01/25 | |
| | 1 PLACE ± 0.3 | APPR: RSILLER | | |
| | 0 PLACES ± 0.5 | INITIAL REVISION: | | |
| | | DRWN: RSCHEBER | 2019/05/14 | |
| | | APPR: RSILLER | 2021/03/16 | |
| | DRAFT WHERE APPLICABLE MUST REMAIN WITHIN DIMENSIONS | THIRD ANGLE PROJECTION | DRAWING: A3-SIZE | SERIES: 120341 |
| | | | MATERIAL NUMBER: SEE TABLE 1 | CUSTOMER: GENERAL MARKET |
| | | | | SHEET NUMBER: 2 OF 2 |