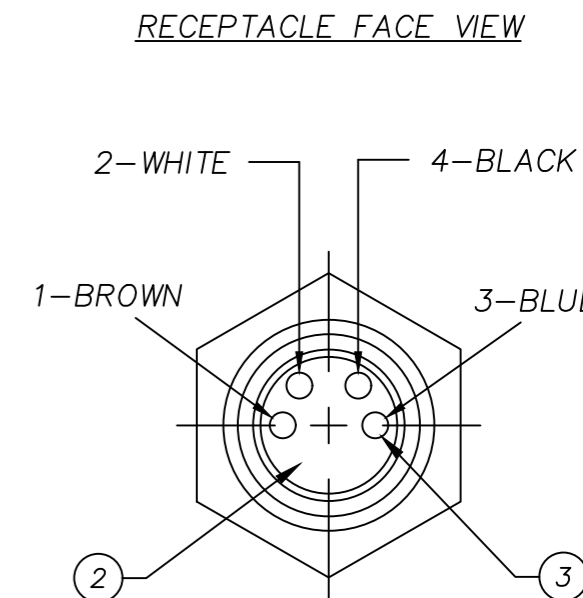
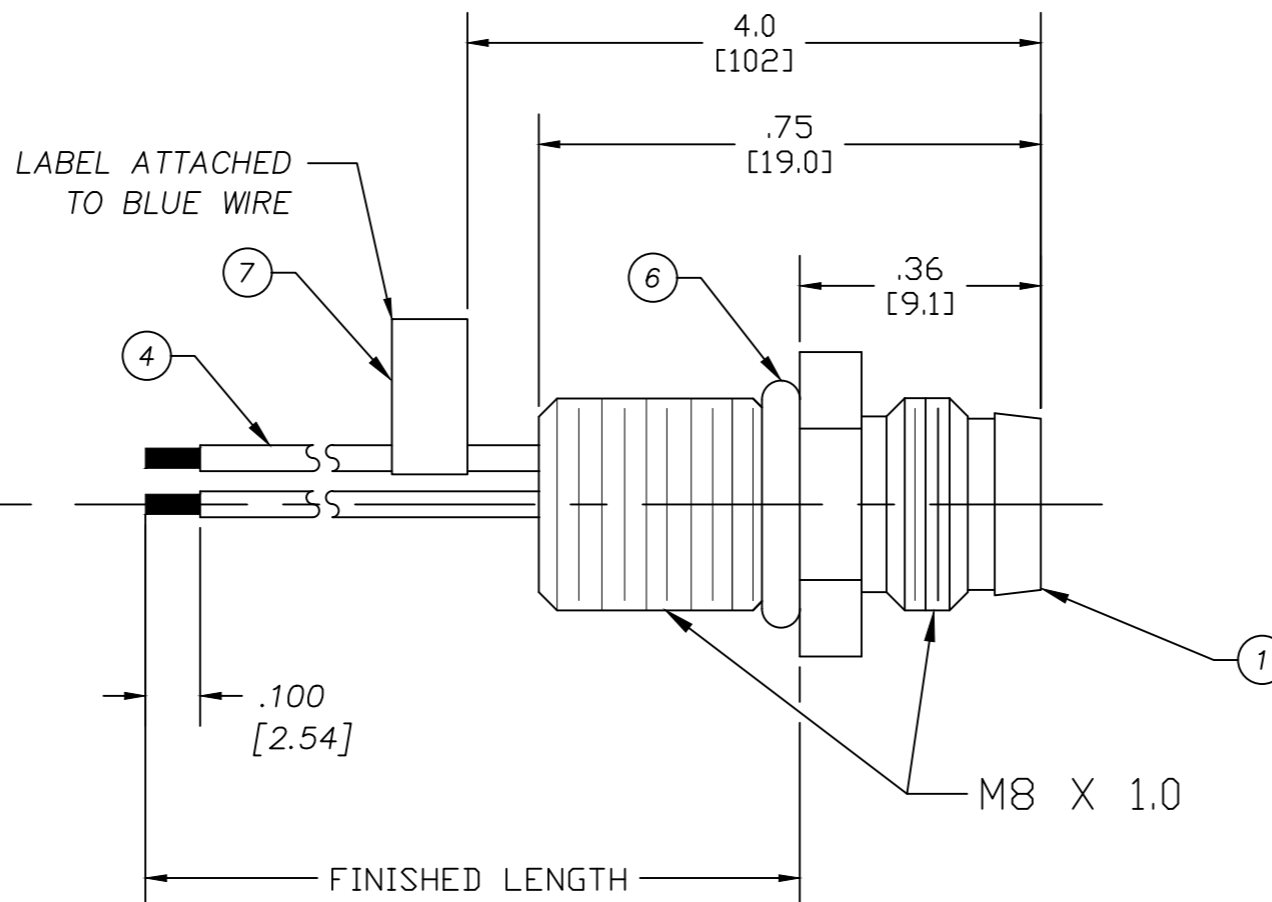
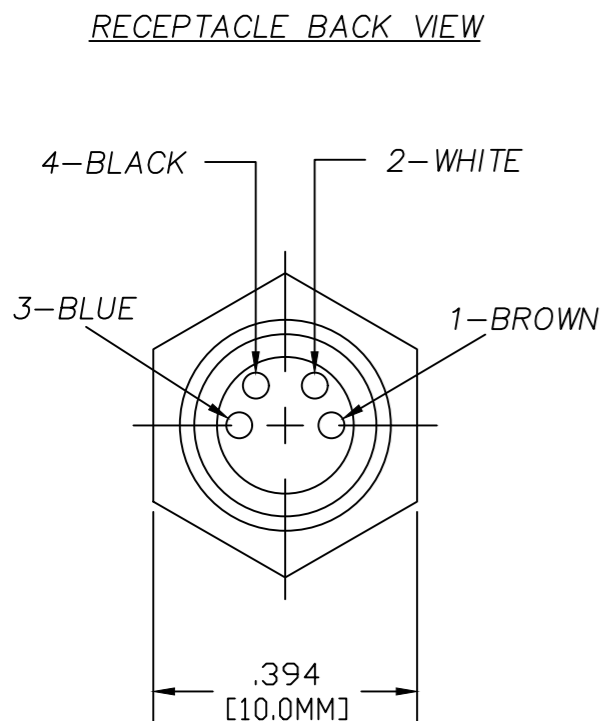


PART NO.	ENGINEERING NO.	FINISHED LENGTH
1200900024	4R4F06A27C300	30CM (11.8 IN)
1200900065	4R4F06A27M020	2M ( 6FT 7IN)

CABLE LENGTH TOLERANCES	
>.3M [1FT]:	+19mm-0 [+ .75in-0]
.3 - .9M [1 - 3FT]:	+44.5mm-0 [+1.75in-0]
.9 - 1.8M [3 - 6FT]:	+55.6mm-0 [+2.19in-0]
1.8 - 3.7M [6 - 12FT]:	+88.9mm-0 [+3.50in-0]
3.7 - 7.3M [12 - 24FT]:	+165.1mm-0 [+6.50in-0]
7.3-14.6M [24 - 48FT]:	+317.5mm-0 [+12.50in-0]
14.6 - 30.5M [48-100FT]:	+622.3mm-0 [+24.50in-0]
OVER 30M [100FT]	+2% OF FINISHED LENGTH



- NOTES:
1. MATERIAL: AS NOTED
  2. FINISH: AS NOTED
  3. ELECTRICAL:  
VOLTAGE: 60VAC/75VDC  
CURRENT: 4A
  4. TEMP RATING: -20°C TO +105°C
  5. PROTECTION: IP67 (WHEN MATED)
  6. COUPLING THREAD: AS NOTED
  7. UL LISTED FILE: E152210  
CSA CERTIFIED FILE: LR6837
  8. ALL DIMS ARE FOR REFERENCE UNLESS TOLERANCED OR NOTED OTHERWISE

**PART NUMBER LEGEND**

4R4F06A27M020

POLE COUNT → 4R4F06A27 → FINISHED LENGTH: M020

M005= 0.5 METER  
M010= 1.0 METER  
M100= 10.0 METERS  
C300= 30 CENTIMETERS

ITEM	DESCRIPTION	MATERIAL	FINISH
7	FLAG LABEL	VINYL	BLACK/YELLOW
6	O-RING	NBR	BLACK
5	HEX NUT M8 X 1.0	STEEL	ZINC PLATED
4	WIRE, 24AWG, UL1061	PVC INSULATION	SEE FACE VIEW
3	CONTACT PIN	COPPER ALLOY	GOLD PLATED
2	INSERT	NYLON	BLACK
1	RECEPTACLE SHELL	BRASS	NICKEL PLATED

SYMBOLS	THIS DRAWING CONTAINS INFORMATION THAT IS PROPRIETARY TO MOLEX ELECTRONIC TECHNOLOGIES, LLC AND SHOULD NOT BE USED WITHOUT WRITTEN PERMISSION		
	DIMENSION UNITS	SCALE	CURRENT REV DESC: RELEASED
	INCH/MM	1:1	
	GENERAL TOLERANCES (UNLESS SPECIFIED)		
▽ = 0	4 PLACES	±----	±----
▽ = 0	3 PLACES	±----	±----
▽ = 0	2 PLACES	±----	±----
▽ = 0	1 PLACE	±----	±----
▽ = 0	0 PLACES	±----	±----
□ = 0	ANGULAR TOL ± ---- °		
■ = 0	DRAFT WHERE APPLICABLE MUST REMAIN WITHIN DIMENSIONS		
▽ = 0	THIRD ANGLE PROJECTION	DRAWING	SERIES
		B-SIZE	120090

EC NO: 628049		2019/11/21	
DRWN: R STONE		2019/11/25	
CHK'D: MZIELINSKI		2019/11/27	
APPR: BWOODMAN		2019/11/27	
INITIAL REVISION:			
DRWN: R STONE		2019/11/21	
APPR: B WOODMAN		2019/11/29	

DOCUMENT NUMBER		DOC TYPE	DOC PART	REVISION
1200900023		PSD	000	A
MATERIAL NUMBER	CUSTOMER	SHEET NUMBER		
120090	GENERAL MARKET	1 OF 1		