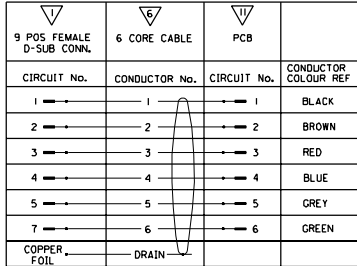


BILL OF MATERIALS

NO.	QTY	SUPPLIER	DESCRIPTION	PART No.	SEE NOTE
▽	1	STARCONN	9 POS FEMALE D SUB	DS-095	4,5
▽	2	STARCONN	SCREW		4,5
▽	1	MOLEX	D SUB CONNECTOR DOUBLE OVERMOULD		
▽	1	NO PREFERRED SUPPLIER	COPPER FOIL		4,7
▽	2	MOLEX	SCREW OVERMOULD		
▽	1	NO PREFERRED SUPPLIER	6 CORE CABLE SEE CABLE SPECIFICATION		4,5
▽	1	MOLEX	OVERMOULD CROMMET AND FERRULE		
▽	1	MOLEX	DATA SHELLS KIT	90919-0001	2
▽	1	MOLEX	FRICTION LOCK CONTACT UNIT	90902-3001	1,2
▽	1	BRADY	LABEL		4
▽	1	CDS ELECTRONICS	PRINTED CIRCUIT BOARD		4,5,6

WIRING DIAGRAM : 6 CORE CABLE



6 CABLE SPECIFICATION : 6 CORE CABLE

CABLE TYPE: FLAT RIBBON ROUND OTHER

SPRAL CABLE YES NO

NO. OF CONDUCTORS 6

2. CABLE REQUIREMENTS :

3. CONDUCTOR SPECIFICATIONS :

CONDUCTOR No.	CONDUCTOR No.	COLOURS
1 - 6		1. BLACK
		2. BROWN
		3. RED
		4. BLUE
		5. GREY
		6. GREEN

4. FILLER : ENOUGH TO MAKE CABLE ROUND

5. SEPARATOR : TYPE N/A LAT DIRECTION N/A

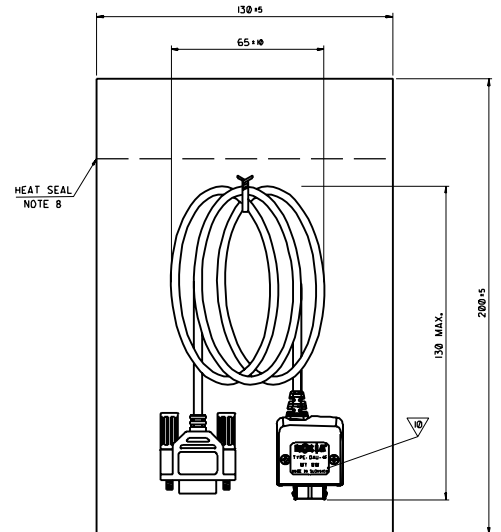
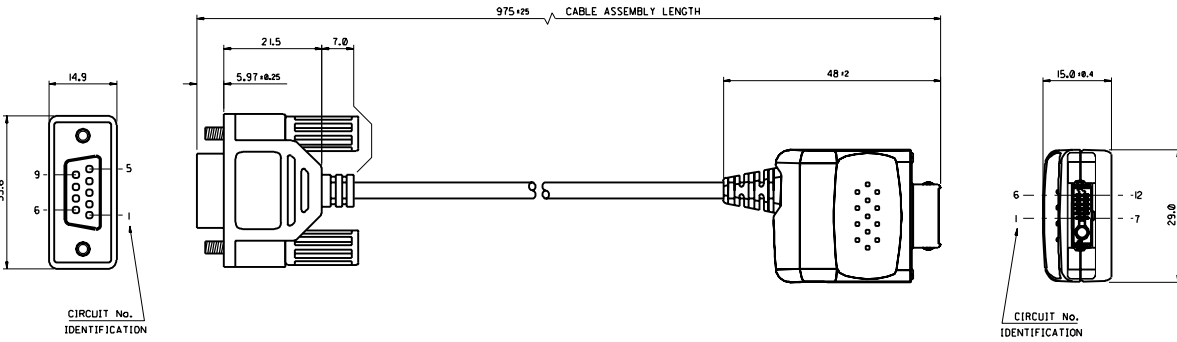
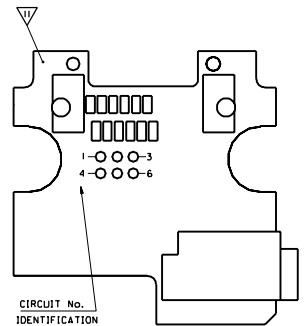
6. SHIELD : FOIL TYPE ALUMINIUM FOIL FOIL FACING SILVER SIDE IN

7. DRAIN WIRE : GAUGE 28 STRANDING RE-60 DRAIN WIRE TO BE INSIDE SHIELD

8. SPIRAL/BRAID : GAUGE N/A COPPER TYPE COVERAGE

9. CABLE JACKET : TYPE PVC FINAL DIAMETER 5.58 ± 0.10 NOM. THICKNESS 0.50 ± 0.05 COLOUR BLACK FINISH MESH ULL RATING UL 28726 HARDNESS 85 SHORE A STRIPABILITY GOOD MARKINGS N/A

SCALE 10:1



- NOTES:-**
1. MATES WITH 90900/90904 SERIES HANDSET CONNECTOR.
 2. SEE PRODUCT SPECIFICATION NO. PS-99020-0046.
 3. SEE PRODUCT SPECIFICATION NO. PS-99020-0070.
 4. ONLY AVAILABLE FROM MOLEX AS PART OF A CABLE ASSEMBLY.
 5. SUPPLIER OR CUSTOMER APPROVED EQUIVALENT.
 6. SEE TEST SPECIFICATION TS-99095-0001.
 7. COPPER FOIL CONNECTED TO D SUB CONNECTOR.
 8. PARTS TO BE INDIVIDUALLY PACKED AND HEAT SEALED AS SHOWN.

BAC DWS MOD EON E-DRIVE E-DRIVE E-DRIVE	REVISIONS 1 2 3 4 5 6 7 8 9 10 11 12 13 14 15 16 17 18 19 20	DESIGN APPROVED BY: MK CHECKED BY: MK DATE: 96/11/26	SCALE: 2:1	SHEET NO: 10F1 DATE: 96/11/26	TITLE: DAW-4F DATA CABLE ASSEMBLY	REVISION ONLY ON CAD SYSTEM
						MILEAGE: 92601-0003