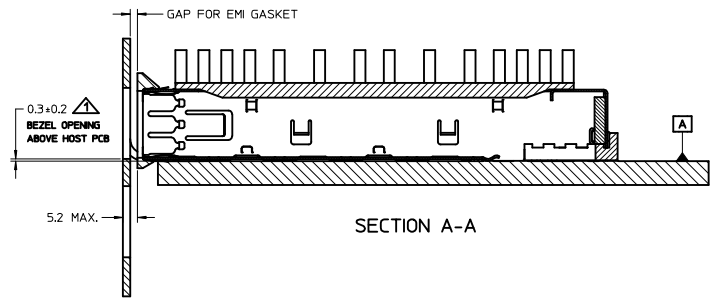
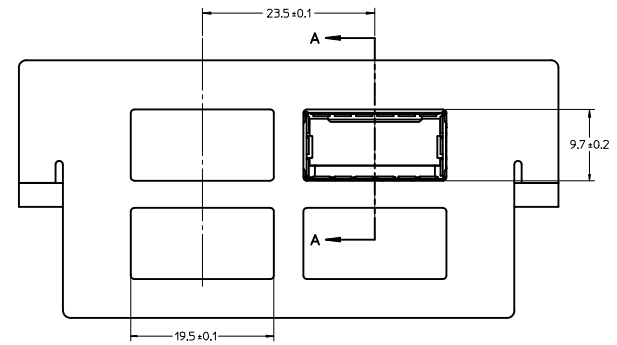
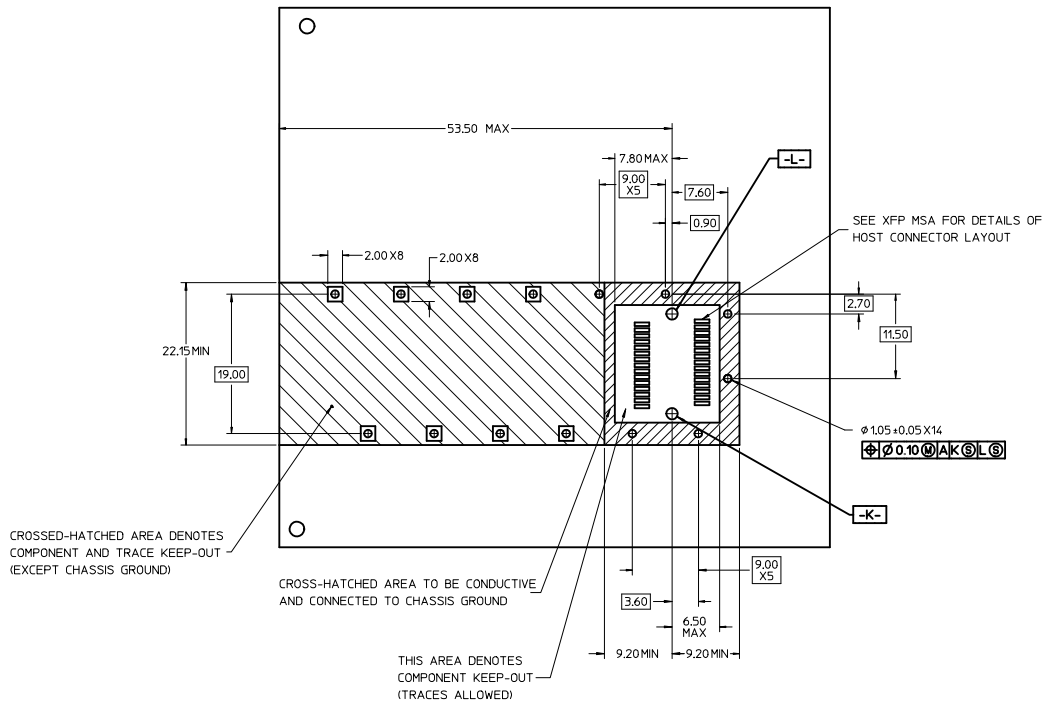


1. PRESS FIT LEGS 2.28mm [0.090"]
2. SINGLE SIDED BOARD THICKNESS
 NOMINAL: 1.60 [0.062"]
 MINIMUM: 1.44 [0.057"]
 BELLY TO BELLY BOARD THICKNESS
 NOMINAL: 2.30 [0.090"]
 MINIMUM: 2.07 [0.081"]
3. REFERENCE DOCUMENTS:
 PRODUCT SPECIFICATION: XFP MSA
4. THIS PRODUCT MEETS THE RESTRICTION OF HAZARDOUS SUBSTANCES IN ELECTRICAL AND ELECTRONIC EQUIPMENT (RoHS) DIRECTIVE (2009/95/EC).

ADDED NOTE PG 2 EC NO: USY2011-0301 DRAWN: JERWIN CHECKED: CHIRSCHY APPROVED: RAHMOOD DATE: 2010/03/10	QUALITY SYMBOLS	GENERAL TOLERANCES (UNLESS SPECIFIED)	DIMENSION STYLE	SCALE	DESIGN UNITS	THIRD ANGLE PROJECTION															
	▼=0 ▽=0	<table border="1"> <thead> <tr> <th></th> <th>mm</th> <th>INCH</th> </tr> </thead> <tbody> <tr> <td>4 PLACES</td> <td>±.005</td> <td>±.0005</td> </tr> <tr> <td>3 PLACES</td> <td>±.008</td> <td>±.0008</td> </tr> <tr> <td>2 PLACES</td> <td>±.010</td> <td>±.0010</td> </tr> <tr> <td>1 PLACE</td> <td>±.025</td> <td>±.0025</td> </tr> </tbody> </table> ANGULAR ± 1°		mm	INCH	4 PLACES	±.005	±.0005	3 PLACES	±.008	±.0008	2 PLACES	±.010	±.0010	1 PLACE	±.025	±.0025	MM ONLY DRAWN BY: JERWIN DATE: 2008/09/10 CHECKED BY: CHIRSCHY DATE: 2008/08/10 APPROVED BY: RAHMOOD DATE: 2010/11/23	3:1	METRIC	TITLE: XFP CAGE ASSEMBLY W/ INSULATING TAPE MOLEX INCORPORATED
		mm	INCH																		
	4 PLACES	±.005	±.0005																		
3 PLACES	±.008	±.0008																			
2 PLACES	±.010	±.0010																			
1 PLACE	±.025	±.0025																			
DESCRIPTION	DRAFT WHERE APPLICABLE MUST REMAIN WITHIN DIMENSIONS	MATERIAL NO. 747360451	DOCUMENT NO. SD-74736-0451	SHEET NO. 1 OF 3																	
REV	SIZE D	THIS DRAWING CONTAINS INFORMATION THAT IS PROPRIETARY TO MOLEX INCORPORATED AND SHOULD NOT BE USED WITHOUT WRITTEN PERMISSION																			

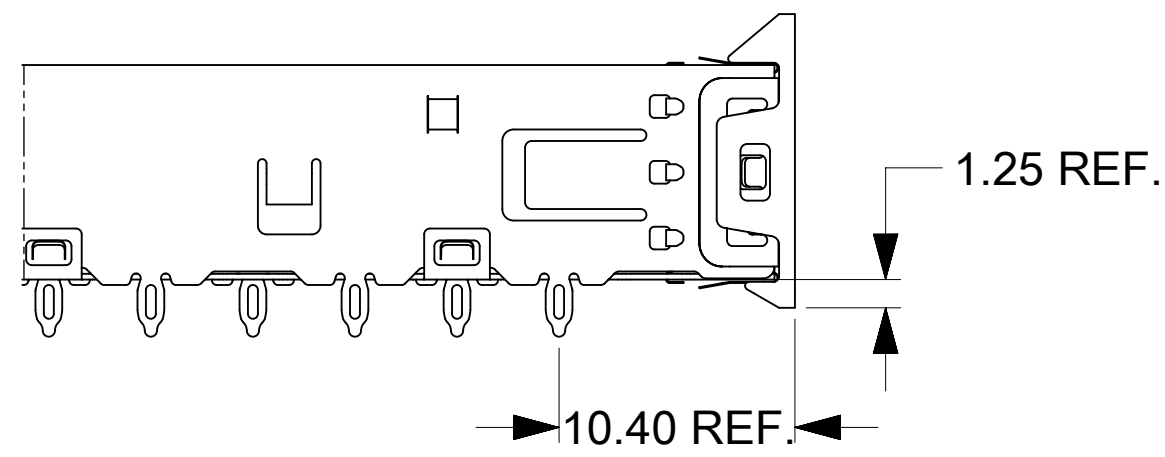
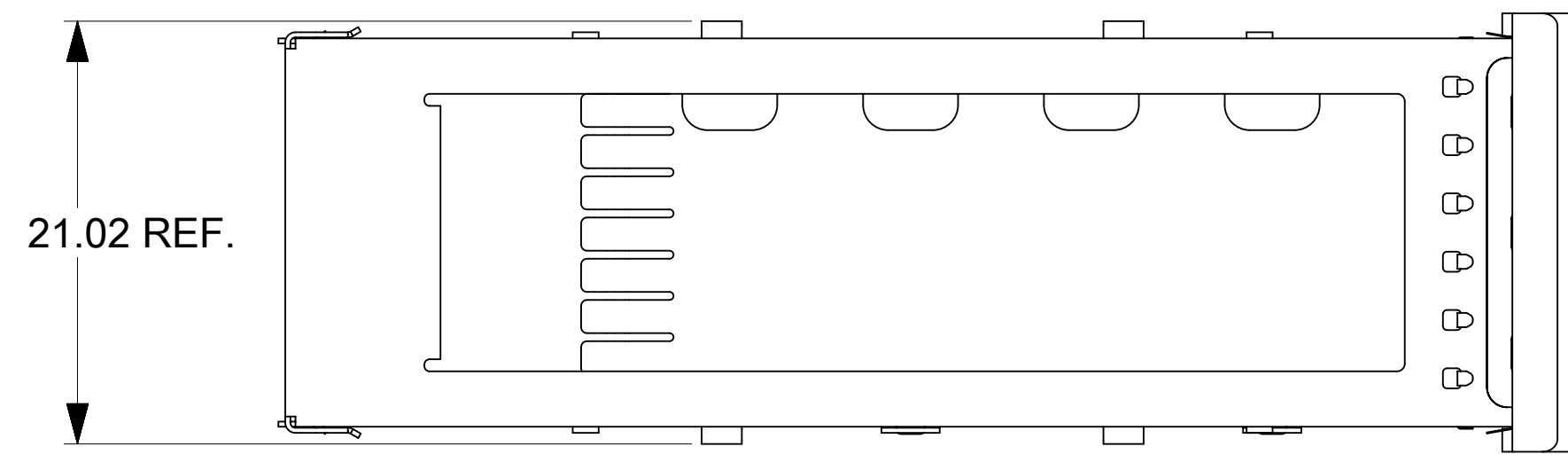


△ FOR PCI APPLICATIONS RECOMMENDED DIMENSION IS 0.4 ± 0.1

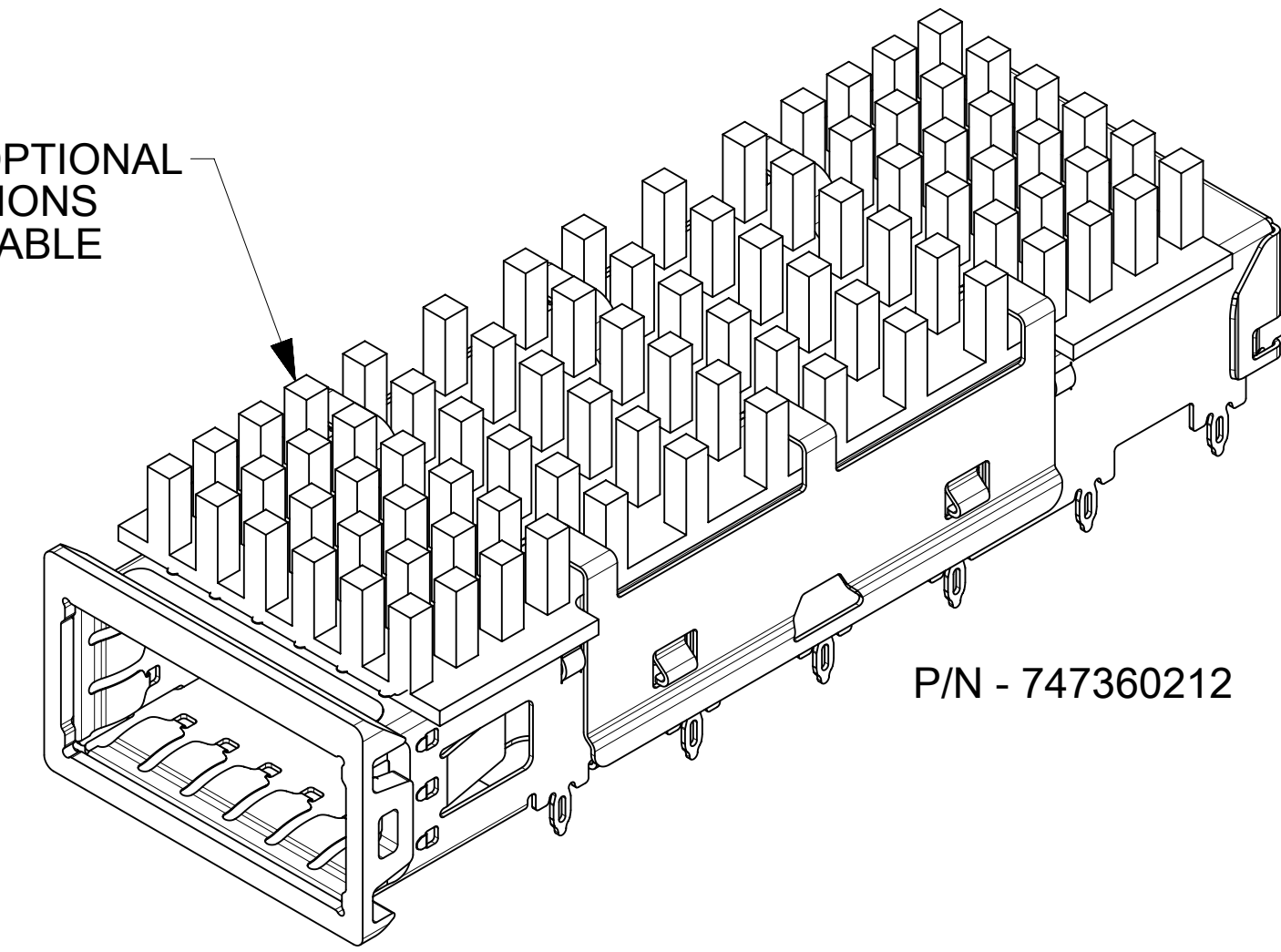
ADDED NOTE PG 2 EC NO: USY2011-0301 DRAWN: JERWIN CHKD: CHIRSCHY APPR: RAHMOOD DATE: 2010/03/01 DATE: 2010/11/23	QUALITY SYMBOLS	GENERAL TOLERANCES (UNLESS SPECIFIED)		DIMENSION STYLE	SCALE	DESIGN UNITS	THIRD ANGLE PROJECTION
	▽=0 ▽=0	mm	INCH	MM ONLY	3:1	METRIC	☉ THIRD ANGLE PROJECTION
	4 PLACES ± --- ± --- 3 PLACES ± --- ± --- 2 PLACES ± 0.10 ± --- 1 PLACE ± 0.25 ± --- ANGULAR ± 1°	DRAFT WHERE APPLICABLE MUST REMAIN WITHIN DIMENSIONS		DRAWN BY: JERWIN CHECKED BY: CHIRSCHY APPROVED BY: RAHMOOD DATE: 2008/09/10 DATE: 2008/08/10 DATE: 2010/11/23	TITLE	XFP CAGE ASSEMBLY W/ INSULATING TAPE	
MATERIAL NO: 747360451	DOCUMENT NO:		MOLEX INCORPORATED SD-74736-0451		SHEET NO: 2 OF 3		
THIS DRAWING CONTAINS INFORMATION THAT IS PROPRIETARY TO MOLEX INCORPORATED AND SHOULD NOT BE USED WITHOUT WRITTEN PERMISSION							

DATE	REV	DESCRIPTION
2008/09/10	A	1. INITIAL RELEASE
2009/05/07	B	1. REMOVED ISO VIEW FROM PAGE 1
		2. ADDED NOTES TO PAGE 1
		3. REMOVED NOTE 2 FROM PAGE 2
		4. REMOVED NOTE 3 FROM PAGE 1 AND RENUMBERED REMAINING NOTES
2010/03/01	C	1. ADDED NOTE - THIS AREA DENOTES COMPONENT KEEP-OUT (TRACES ALLOWED) PAGE 2.

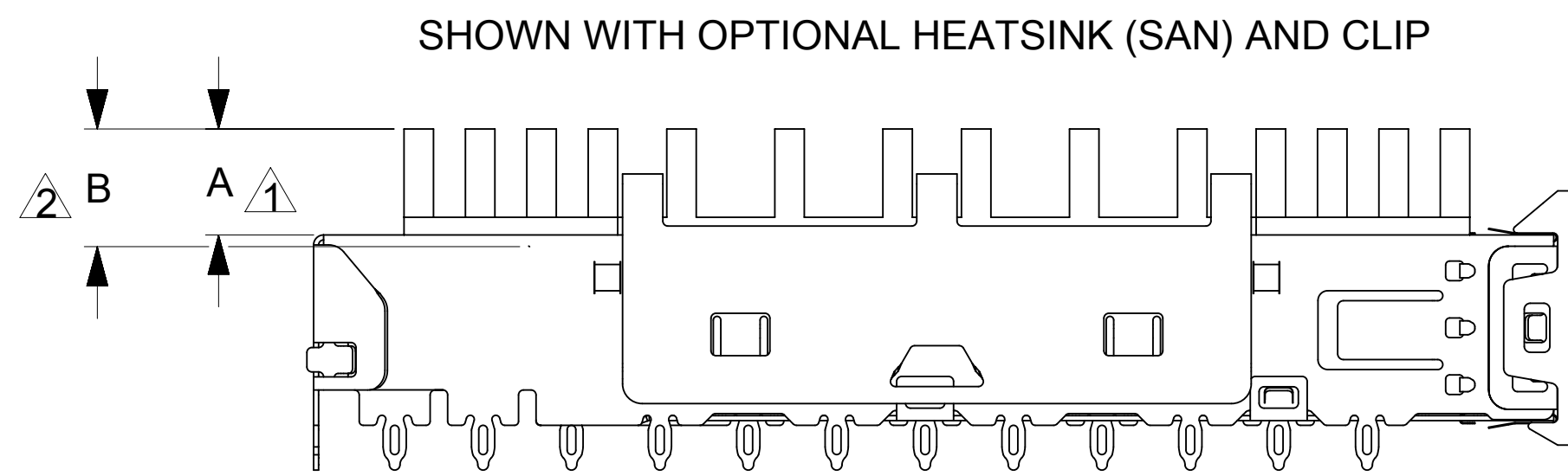
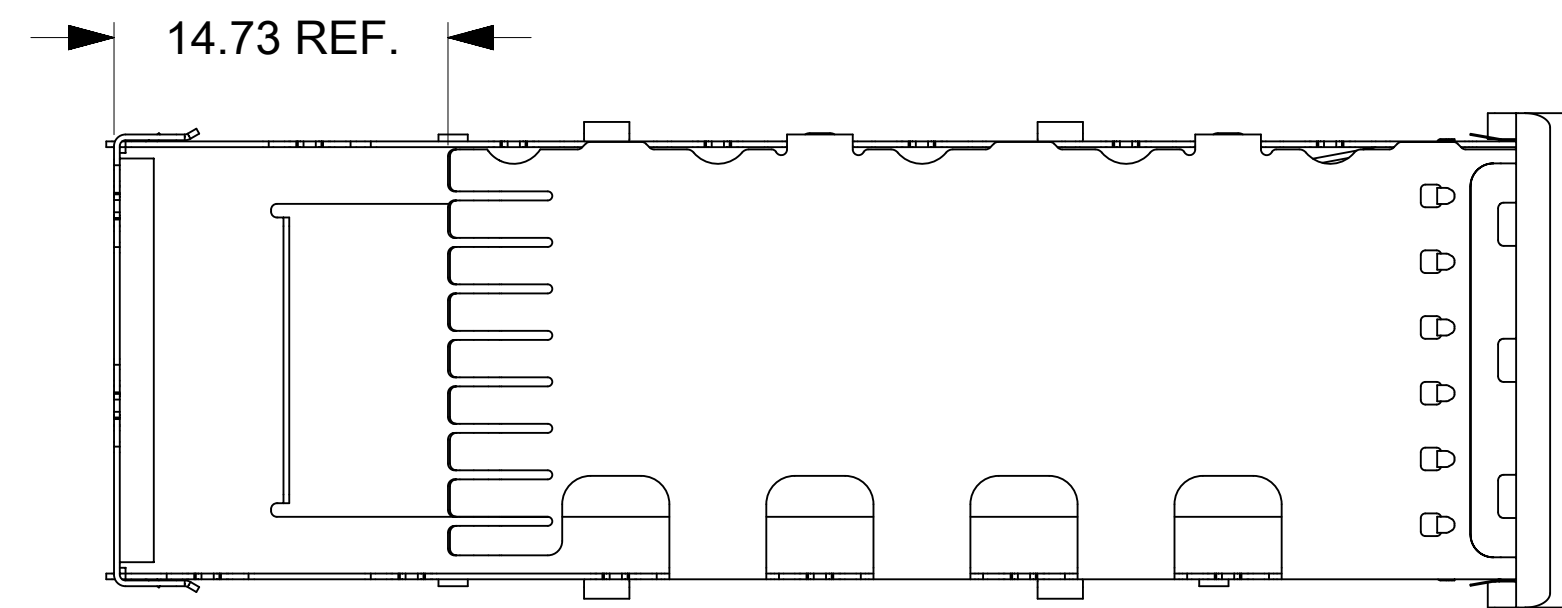
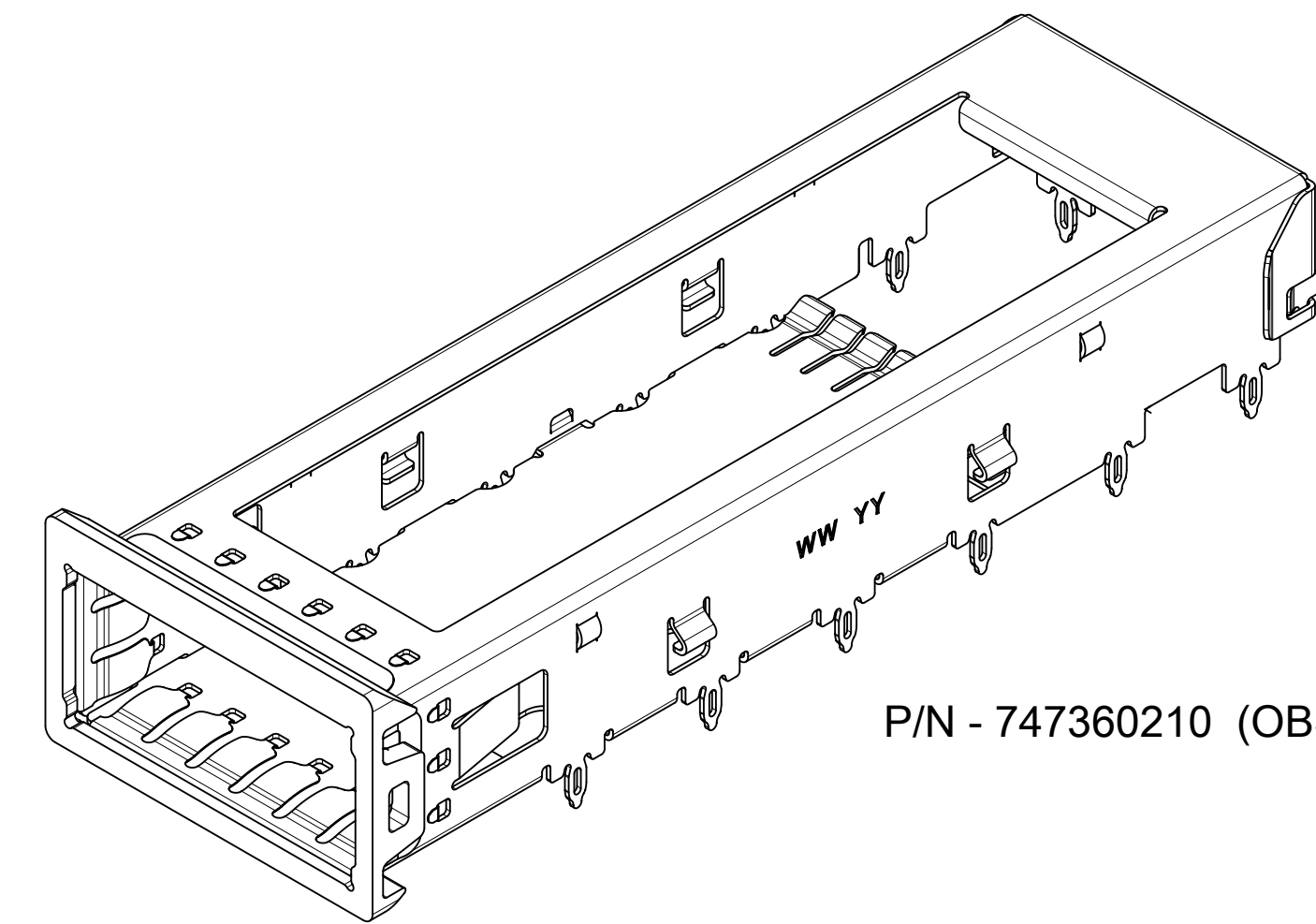
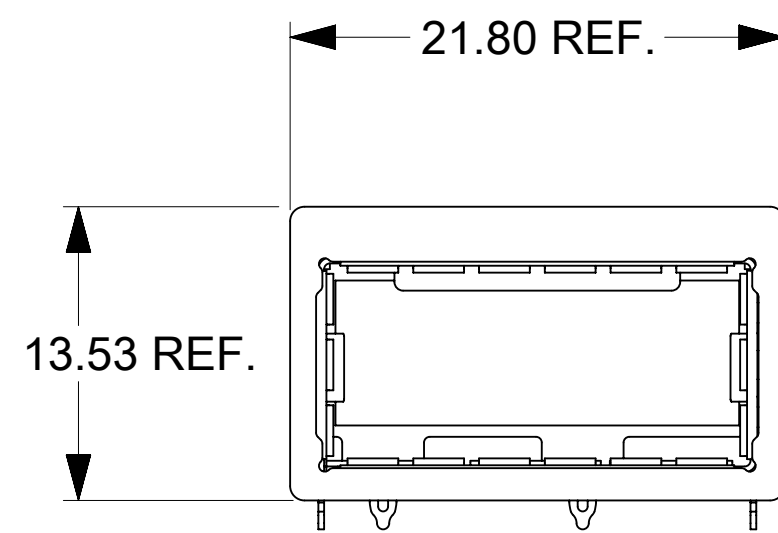
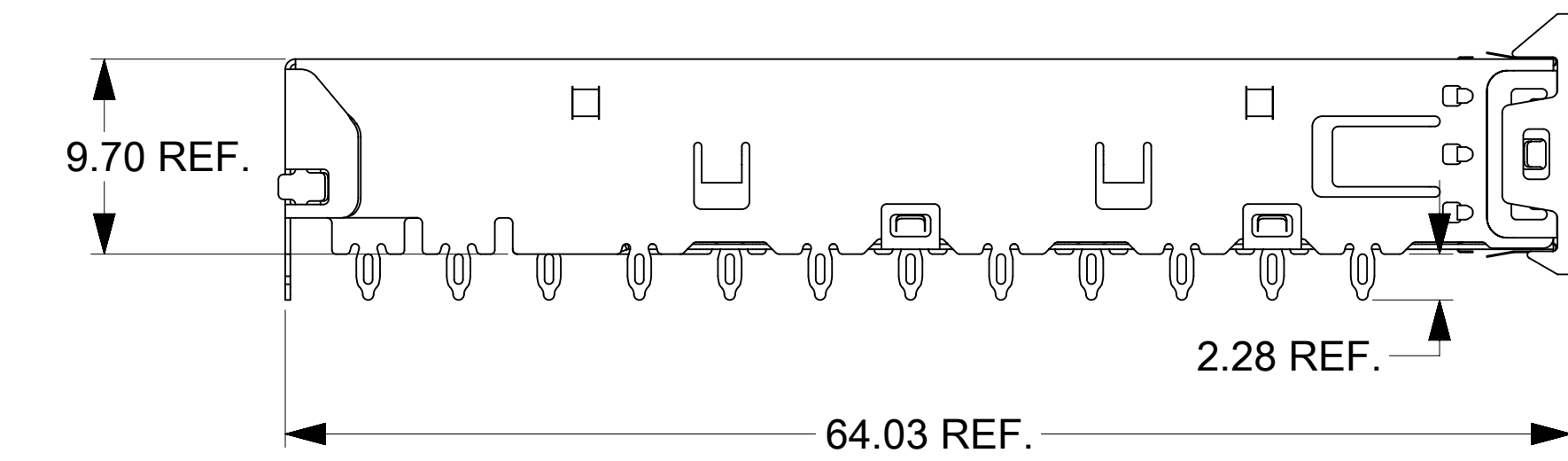
REMOVED ISO VIEW IEC NO. USY2011-0301 DRAWN: JERWIN 2010/03/01 CHECKED: CHYK & CHRSCHY APPROVED: RMAHMOOD 2010/11/23	QUALITY SYMBOLS	GENERAL TOLERANCES (UNLESS SPECIFIED)	DIMENSION STYLE	SCALE	DESIGN UNITS	THIRD ANGLE PROJECTION
	▽=0 ▽=0	mm INCH 4 PLACES ± --- ± --- 3 PLACES ± --- ± --- 2 PLACES ± 0.10 ± --- 1 PLACE ± 0.25 ± --- ANGULAR ± 1°	MM ONLY	1:1	METRIC	
	DRAWN BY: JERWIN 2008/09/10 CHECKED BY: CHRSCHY 2008/08/10 APPROVED BY: RMAHMOOD 2010/11/23	DRAFT WHERE APPLICABLE MUST REMAIN WITHIN DIMENSIONS		MATERIAL NO. 747360451 SIZE D	TITLE: XFP CAGE ASSEMBLY W/ INSULATING TAPE MOLEX INCORPORATED DOCUMENT NO. SD-74736-0451	SHEET NO. 3 OF 3
	THIS DRAWING CONTAINS INFORMATION THAT IS PROPRIETARY TO MOLEX INCORPORATED AND SHOULD NOT BE USED WITHOUT WRITTEN PERMISSION					



PARTIAL A
SCALE 3:1



HEATSINK SINK AND CLIP ARE OPTIONAL
SEE CHART FOR HEATSINK OPTIONS
CUSTOM HEATSINKS ARE AVAILABLE

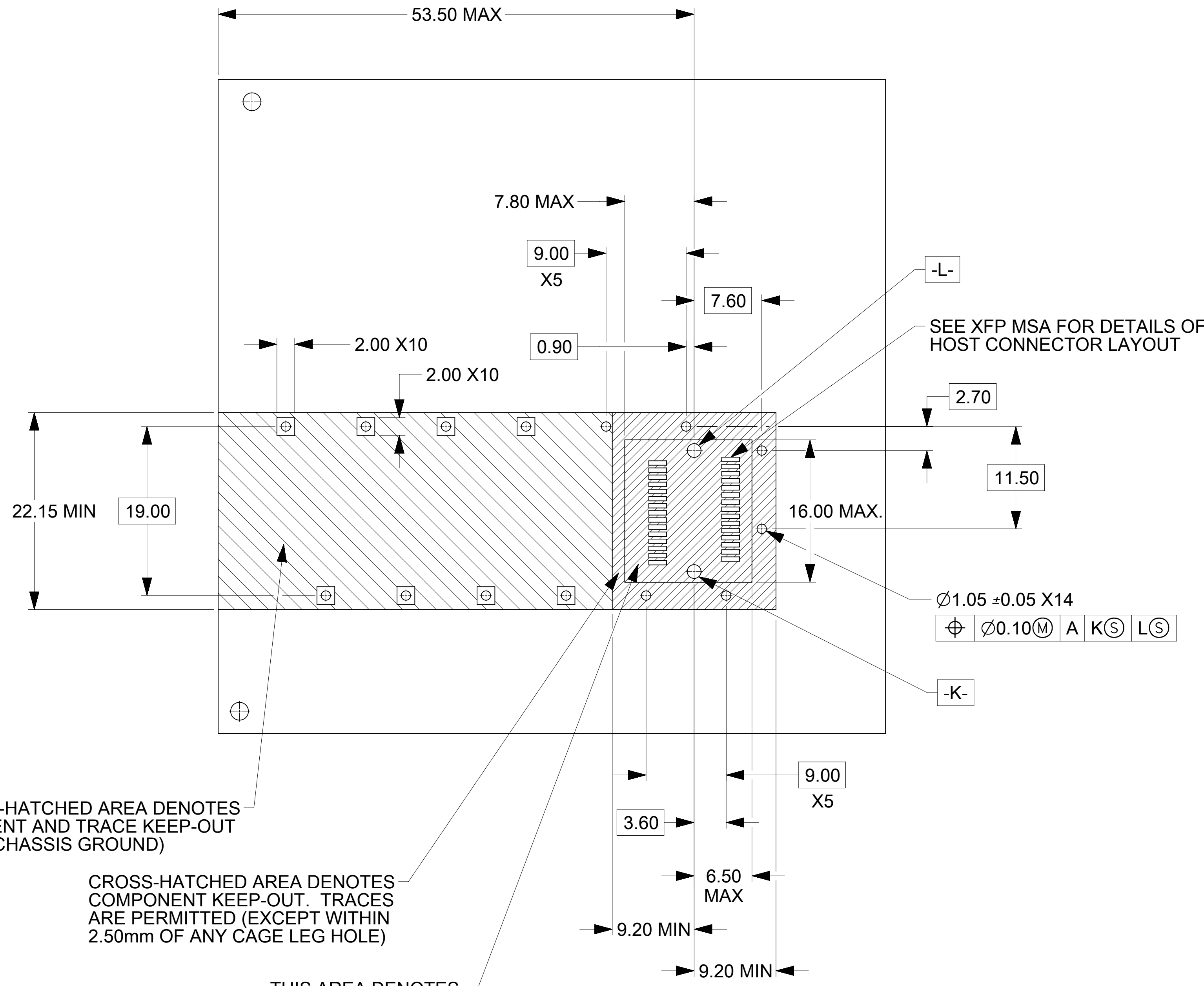


SHOWN WITH OPTIONAL HEATSINK (SAN) AND CLIP

- 1 MAXIMUM HEIGHT OF HEATSINK WITH MODULE INSERTED
- 2 OVERALL HEIGHT OF HEATSINK
- 3. OTHER HEATSINK DESIGNS ARE AVAILABLE INCLUDING CUSTOM DESIGNS

PART NUMBER FOR XFP CAGE ASSEMBLY & PARTS (W/OUT ELASTOMER EMI GASKET)					
P/N	DIM A	DIM B	DESCRIPTION	POWER LEVEL	THERMAL RESISTANCE @200 LFM
747360211	4.0	4.2	XFP CAGE WITH PCI HEATSINK	UP TO 1.5W	<18.0 C/W
747360212	6.3	6.5	XFP CAGE WITH SAN HEATSINK (SHOWN)	UP TO 2.5W	<11.5 C/W
747360213	13.3	13.5	XFP CAGE WITH TALL HEATSINK	UP TO 3.5W	<8.0 C/W
747360230	N/A	N/A	HEATSINK CLIP ONLY	N/A	N/A
747360240	N/A	N/A	PCI HEATSINK ONLY	UP TO 1.5W	<18.0 C/W
747360241	N/A	N/A	SAN HEATSINK ONLY	UP TO 2.5W	<11.5 C/W
747360242	N/A	N/A	TALL HEATSINK ONLY	UP TO 3.5W	<8.0 C/W

THIS DRAWING CONTAINS INFORMATION THAT IS PROPRIETARY TO MOLEX ELECTRONIC TECHNOLOGIES, LLC AND SHOULD NOT BE USED WITHOUT WRITTEN PERMISSION					
DIMENSION UNITS mm		SCALE 3:1		CURRENT REV DESC:	
GENERAL TOLERANCES (UNLESS SPECIFIED)					
	MM	INCH	EC NO: 624461		
4 PLACES	±	±	DRWN: AKUMAR19	2019/02/04	
3 PLACES	±	±	CHK'D: GGA	2019/10/17	
2 PLACES	± 0.1	±	APPR: GGA	2019/10/17	
1 PLACE	± 0.25	±	INITIAL REVISION:		
0 PLACES	±	±	DRWN: KLLOYD	2004/12/02	
ANGULAR TOL ± 1.0°		APPR: RMAHMOOD		2010/11/09	
DRAFT WHERE APPLICABLE MUST REMAIN WITHIN DIMENSIONS		THIRD ANGLE PROJECTION		DRAWING	SERIES
		D-SIZE		74736	
DOCUMENT NUMBER			DOCUMENT TYPE	DOC PART	REVISION
SD-74736-210			PSD	001	C
MATERIAL NUMBER		CUSTOMER		SHEET NUMBER	
SEE TABLE		GENERAL MARKET		1 OF 2	

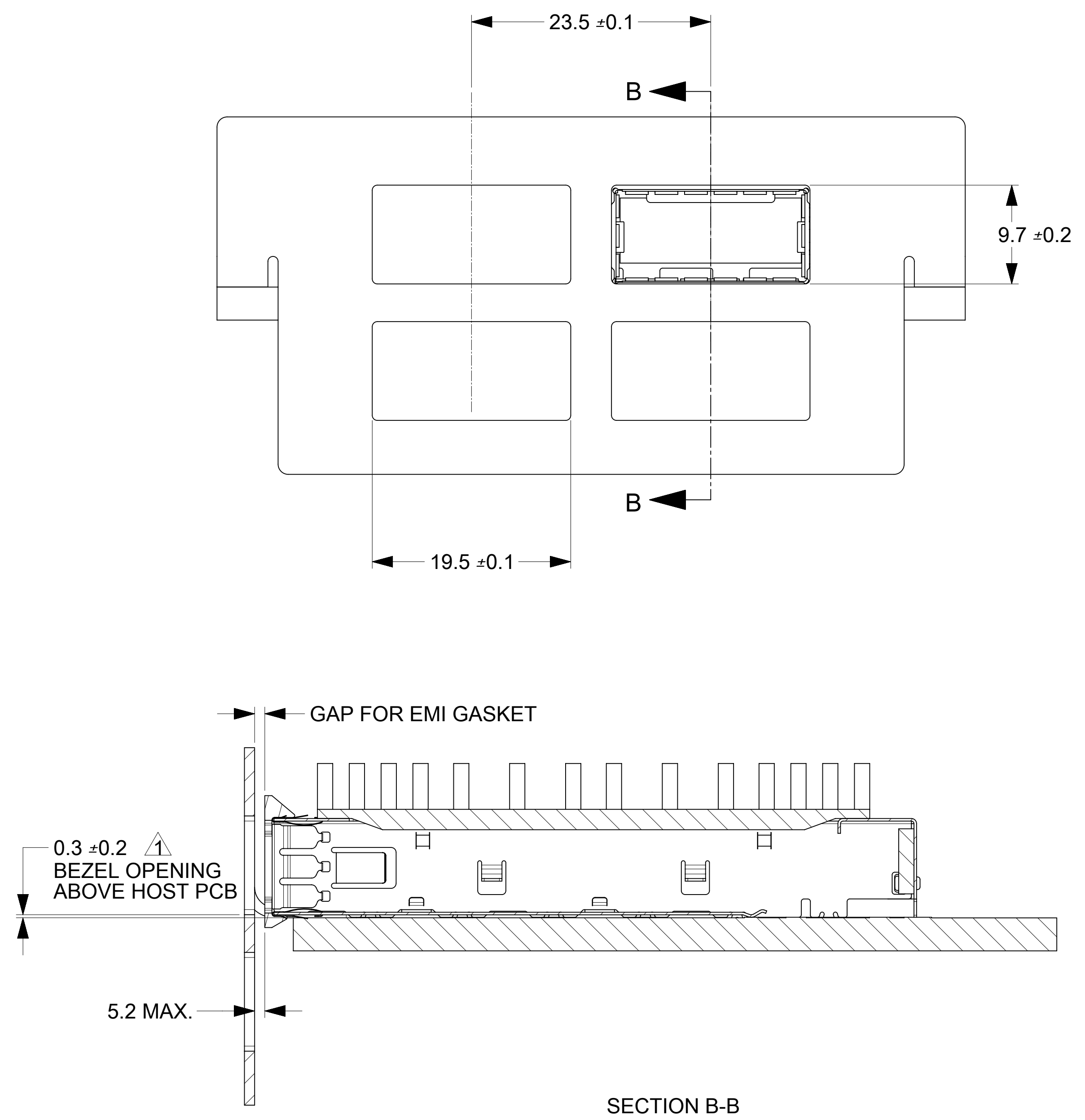


CROSSED-HATCHED AREA DENOTES COMPONENT AND TRACE KEEP-OUT (EXCEPT CHASSIS GROUND)

CROSS-HATCHED AREA DENOTES COMPONENT KEEP-OUT. TRACES ARE PERMITTED (EXCEPT WITHIN 2.50mm OF ANY CAGE LEG HOLE)

THIS AREA DENOTES COMPONENT KEEP-OUT (TRACES ALLOWED)

\triangle FOR PCI APPLICATIONS RECOMMENDED DIMENSION IS 0.4 ±0.1



SECTION B-B

THIS DRAWING CONTAINS INFORMATION THAT IS PROPRIETARY TO MOLEX ELECTRONIC TECHNOLOGIES, LLC AND SHOULD NOT BE USED WITHOUT WRITTEN PERMISSION

DIMENSION UNITS	SCALE	CURRENT REV DESC:	
mm	3:1		
GENERAL TOLERANCES (UNLESS SPECIFIED)		EC NO: 624461	
	MM	INCH	
4 PLACES	±	±	DRWN: AKUMAR19 2019/02/04
3 PLACES	±	±	CHK'D: GGA 2019/10/17
2 PLACES	±	0.1	APPR: GGA 2019/10/17
1 PLACE	±	0.25	INITIAL REVISION:
0 PLACES	±	±	DRWN: KLLOYD 2004/12/02
ANGULAR TOL ± 1.0°		APPR: RMAHMOOD 2010/11/09	
DRAFT WHERE APPLICABLE MUST REMAIN WITHIN DIMENSIONS		THIRD ANGLE PROJECTION	DRAWING SERIES
			D-SIZE 74736

molex			
XFP CAGE ASSEMBLY WITHOUT ELASTOMER EMI GASKET			
PRODUCT CUSTOMER DRAWING			
DOCUMENT NUMBER	DOC TYPE	DOC PART	REVISION
SD-74736-210	PSD	001	C
MATERIAL NUMBER	CUSTOMER	SHEET NUMBER	
SEE TABLE	GENERAL MARKET	2 OF 2	

DOCUMENT STATUS	P1	RELEASE DATE	2019/10/17 02:39:02
-----------------	----	--------------	---------------------