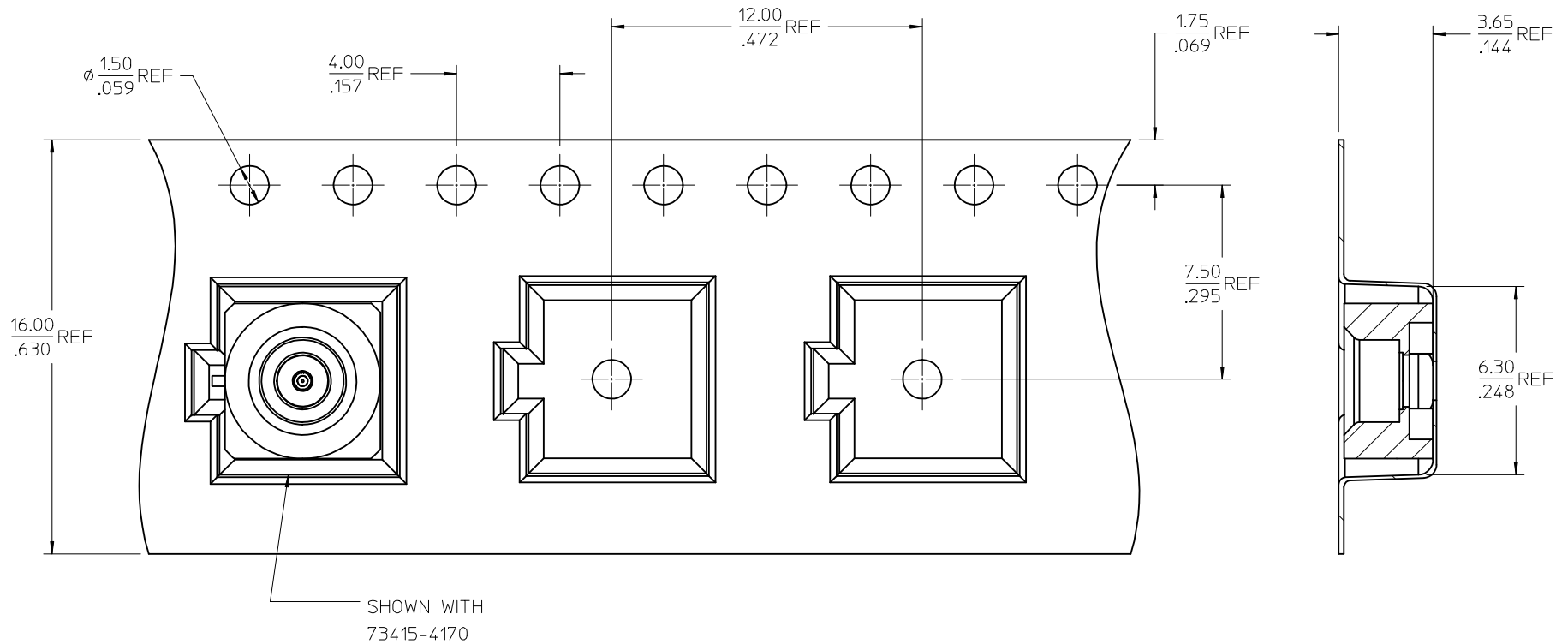


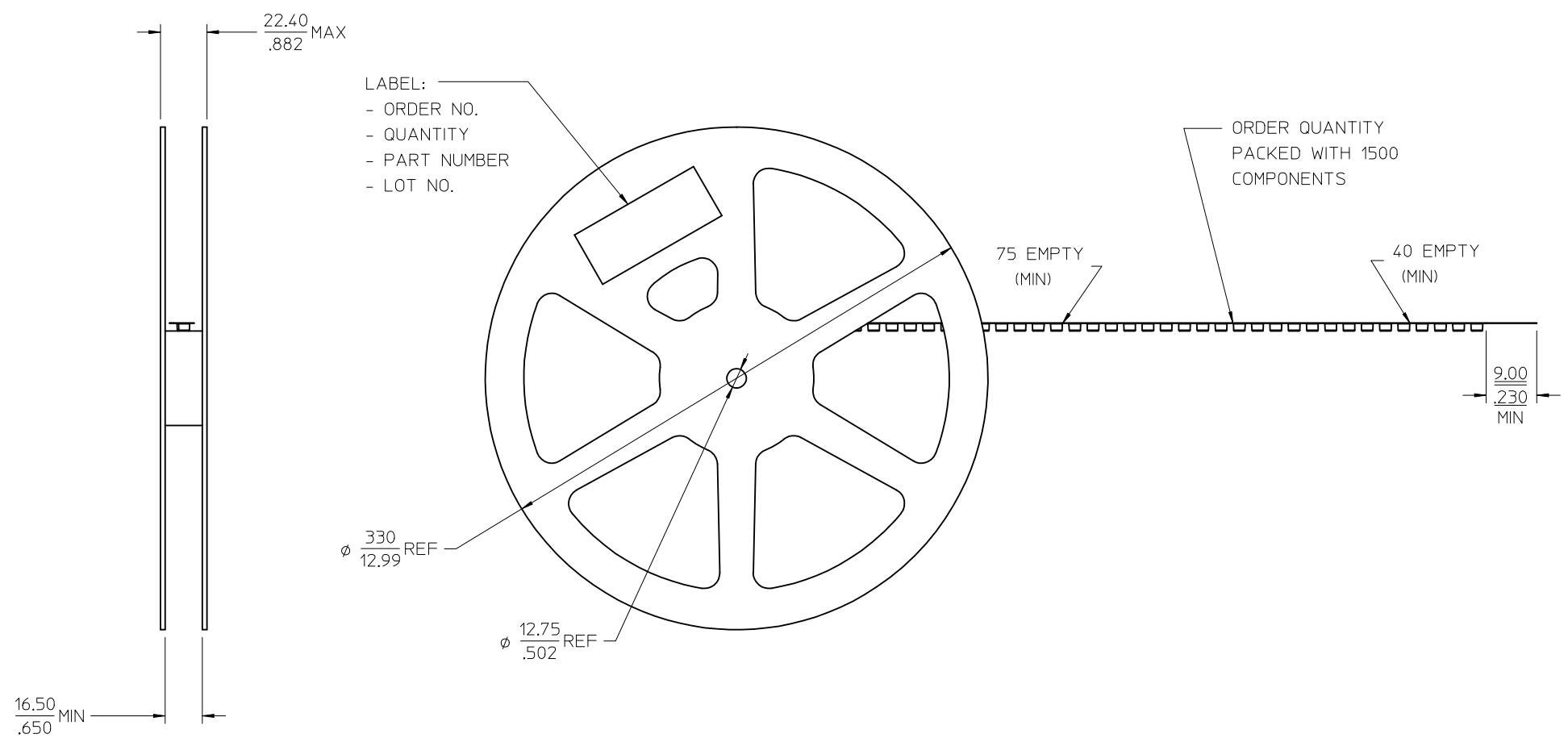


NOTE:

1. 10 PITCHES CUMULATIVE TOLERANCE ±0.20(.008)



CHG: SEE SHEET 1 EC NO: URF-2017-0403 DRAWN: PRAKASHO1 2017/06/02 CHKD: BBB 2017/06/02 APP: AROBERTSON 2017/06/29	QUALITY SYMBOLS ▽=0 ▽=0 ▽=0	GENERAL TOLERANCES (UNLESS SPECIFIED)		DIMENSION STYLE MM/IN		SCALE	DESIGN UNITS METRIC	THIRD ANGLE PROJECTION	
		4 PLACES ± --- ± ---	3 PLACES ± --- ± .010	2 PLACES ± 0.25 ± ---	1 PLACE ± --- ± ---	0 PLACE ± --- ± ---	ANGULAR ± 2 °	DRAFT WHERE APPLICABLE MUST REMAIN WITHIN DIMENSIONS	THIS DRAWING CONTAINS INFORMATION THAT IS PROPRIETARY TO MOLEX INCORPORATED AND SHOULD NOT BE USED WITHOUT WRITTEN PERMISSION
REV: A3	DESCRIPTION	DRAWN BY TEF		DATE 2003/02/07		TITLE SMP PLUG RA SMOOTH BORE MOD INTERFACE, 50 OHMS SMP-P/RA/PCB		DOCUMENT NO. SD-73415-417	
		CHECKED BY SSS		DATE 2003/02/07		APPROVED BY GMH		DATE 2003/02/07	
		MATERIAL NO. SEE SHEET 1				SHEET NO. 2 OF 3			



CHG: SEE SHEET 1  
EC NO: URF2017-0403  
DRAWN: PRAKASHO1 2017/06/02  
CHKD: 888 2017/06/02  
APPR: ROBERTSON 2017/06/29

REV	DESCRIPTION
0	
1	
2	
3	

GENERAL TOLERANCES (UNLESS SPECIFIED)	
mm	INCH
4 PLACES	± .010
3 PLACES	± .025
2 PLACES	± .050
1 PLACE	± .100
0 PLACE	± .150

ANGULAR ± 2 °

DRAFT WHERE APPLICABLE MUST REMAIN WITHIN DIMENSIONS

DIMENSION STYLE	
MM/IN	
DRAWN BY	DATE
TEF	2003/02/07
CHECKED BY	DATE
SSS	2003/02/07
APPROVED BY	DATE
GMH	2003/02/07
MATERIAL NO.	
SEE SHEET 1	

SCALE	DESIGN UNITS	THIRD ANGLE PROJECTION
	METRIC	
TITLE		SHEET NO.
SMP PLUG RA SMOOTH BORE MOD INTERFACE, 50 OHMS SMP-P/RA/PCB		3 OF 3
DOCUMENT NO.		
SD-73415-417		

**molex**