

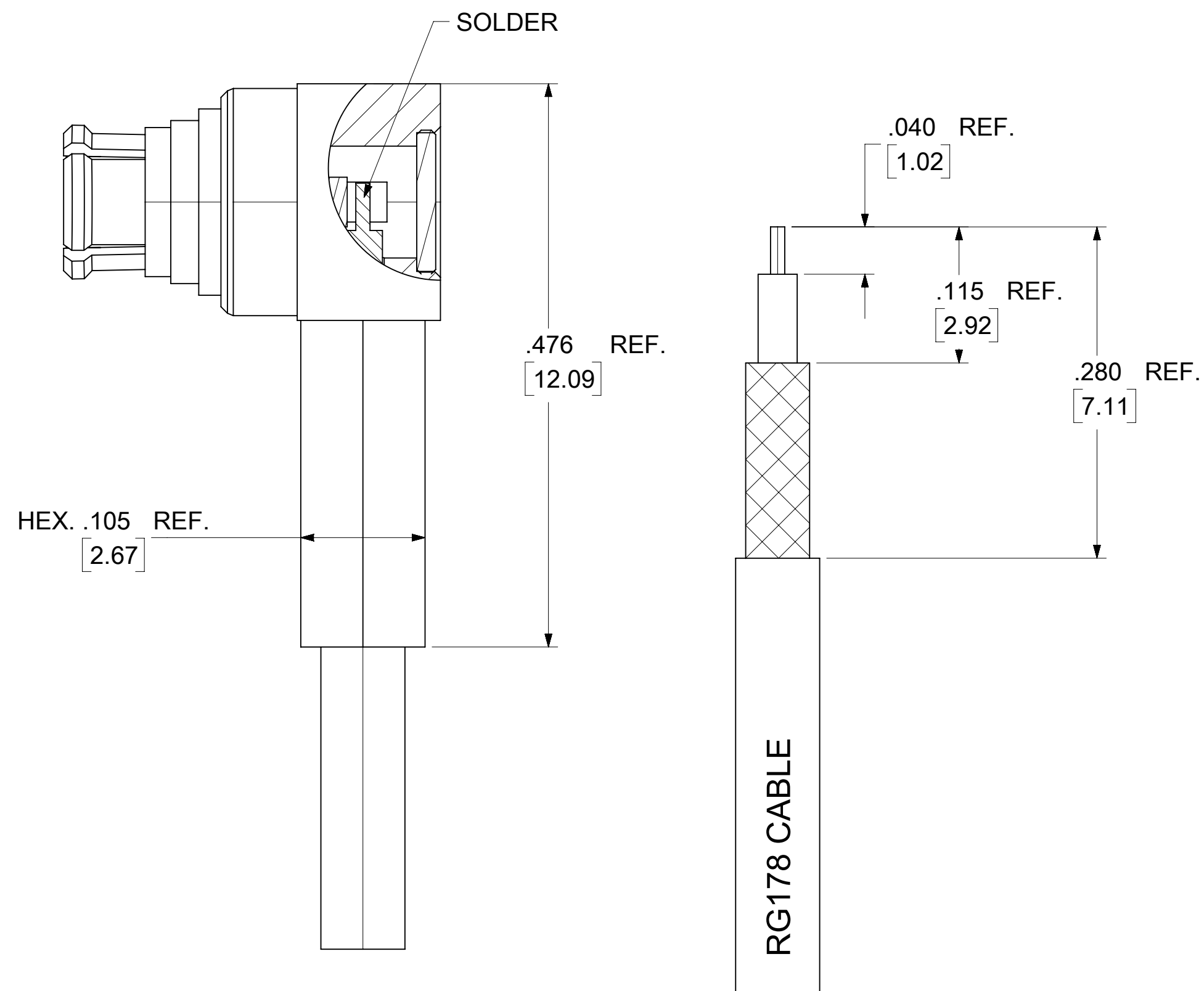
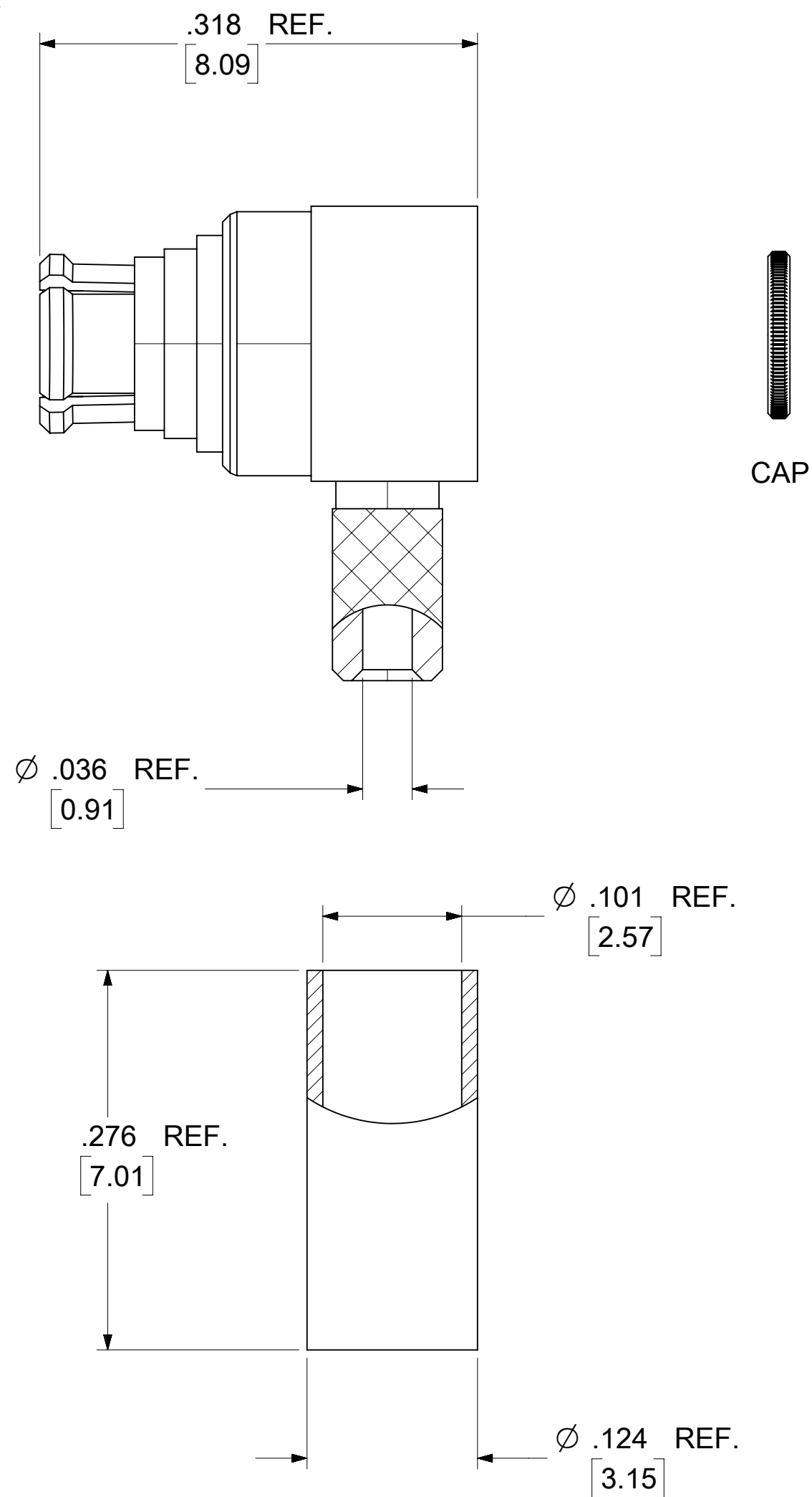
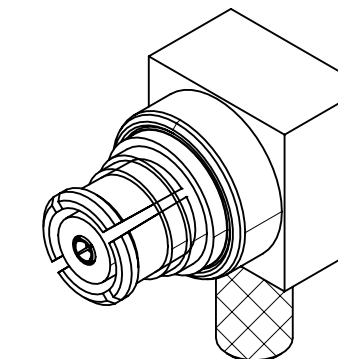
MATERIALS AND FINISHES

BODY, CRIMP TUBE, EMI RING: BRASS  
PLATED GOLD

OUTER CONTACT: BERYLLIUM COPPER  
PLATED GOLD

CENTER CONTACT: BERYLLIUM COPPER  
PLATED GOLD

INSULATOR: TEFLON



LABEL FORMAT FOR  
73406-6051

PART NUMBER: 73406-6050  
ORDER NUMBER: 73406-6051  
MOLEX  
DATE: YYWW

73406-6051	73406-6050 ONE PER BAG	895420470
73406-6050	73406-0240 TRAY	895420040
PART NO.	DESCRIPTION	PACKING SPEC

MIL-STD-348A, FIG. 326.1	INTERFACE
SPECIFICATION	DESCRIPTION

DOCUMENT STATUS	P1	RELEASE DATE	2022/08/30	02:55:04
-----------------	----	--------------	------------	----------

FUNCTIONAL SYMBOLS	THIS DRAWING CONTAINS INFORMATION THAT IS PROPRIETARY TO MOLEX ELECTRONIC TECHNOLOGIES, LLC AND SHOULD NOT BE USED WITHOUT WRITTEN PERMISSION												
FA = 0	DIMENSION UNITS	SCALE	CURRENT REV DESC: ADD 73406-6051 PER EWR# 15321-C										
EA = 0	INCH/MM	NTS	GENERAL TOLERANCES (UNLESS SPECIFIED)										
EP = 0	ANGULAR TOL ± 2.0°		EC NO: 718723						2022/08/18				
DIVISIONAL SYMBOLS	4 PLACES ±		DRWN: ELIN						2022/08/30				
	3 PLACES ±		CHK'D: YCHENG						2022/08/30				
	2 PLACES ±		APPR: YCHENG						2022/08/30				
	1 PLACE ±		INITIAL REVISION:										
0 PLACES ±		DRWN: AROBERTSON						2008/10/15					
DRAFT WHERE APPLICABLE MUST REMAIN WITHIN DIMENSIONS		THIRD ANGLE PROJECTION		DRAWING		SERIES		MATERIAL NUMBER		CUSTOMER		SHEET NUMBER	
				C-SIZE		73406		SEE TABLE		GENERAL MARKET		1 OF 1	

<b>molex</b>				
SMP JACK RIGHT ANGLE FOR RG178 CABLE SMP-JC, EWR-3774				
PRODUCT CUSTOMER DRAWING				
DOCUMENT NUMBER		DOC TYPE	DOC PART	REVISION
SD-73406-605		PSD	001	A1