

MATERIALS AND FINISHES

BODY, JAM NUT, WASHER BRASS
PLATED GOLD

CENTER CONTACT PHOSPHOR BRONZE
PLATED GOLD

INSULATOR TEFLON

LOCKWASHER PHOSPHOR BRONZE
PLATED GOLD

2.54 REF
.100
2 PLACES

2.54 REF
.100
2 PLACES

1.20 REF
.047
4 PLACES

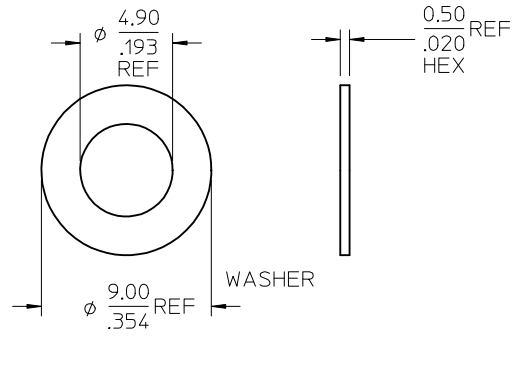
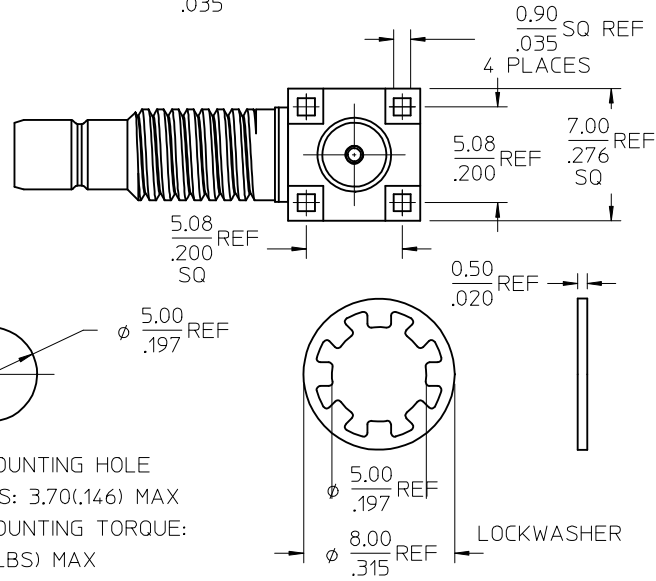
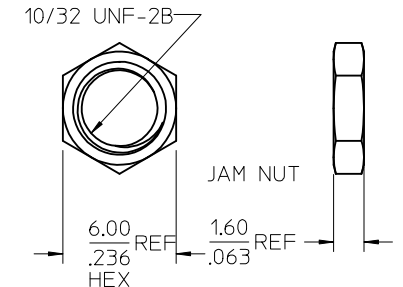
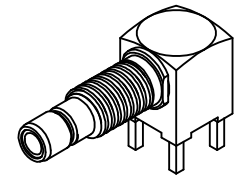
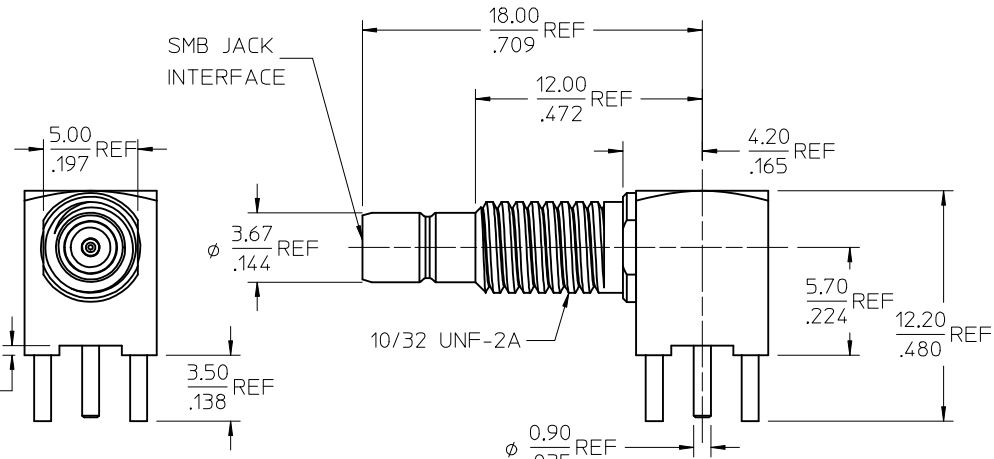
1.60 REF
.063
4 PLACES

RECOMMENDED PCB HOLE

NOTE:

RF LEAKAGE AND VSWR ARE NOT
APPLICABLE IN 73598-0099

RECOMMENDED MOUNTING HOLE
PANEL THICKNESS: 3.70(146) MAX
RECOMMENDED MOUNTING TORQUE:
0.51 N-m(4.50 IN-LBS) MAX



MIL-STD-348A, FIG 311.1	INTERFACE
PS-73598-0099	PRODUCT SPECIFICATION
SPECIFICATION	DESCRIPTION

73396-0570	SMALL TRAY PACKING (20 PCS)
73404-2270	73100-0097, ONE PER BAG
73100-0097	PLASTIC TRAYS (50 PCS)
PART NO.	PACKAGING

ADDED QUANTITIES PER RF15-E413	EC NO: URF2016-0432	DRWN:ELIN	2015/12/04	CHKD:	2015/12/15	APPR:YCHENG	DESCRIPTION
QUALITY SYMBOLS ▽=0 ▽=0							

GENERAL TOLERANCES (UNLESS SPECIFIED)	DIMENSION STYLE	SCALE	DESIGN UNITS	THIRD ANGLE PROJECTION
mm	MM/IN	METRIC		

4 PLACES ± --- ± ---	DRAWN BY	DATE	TITLE
3 PLACES ± --- ± ---	MARTIN	1993/07/29	SMB JACK,R/A PCB,50 OHMS
2 PLACES ± --- ± ---	CHECKED BY	DATE	SMB-J/RA/PCB
1 PLACE ± --- ± ---	APPROVED BY	DATE	
ANGULAR ± 2 °			

MATERIAL NO.	DOCUMENT NO.	SHEET NO.
SEE TABLE	SD-73100-0097	1 OF 1

MOLEX INCORPORATED	
THIS DRAWING CONTAINS INFORMATION THAT IS PROPRIETARY TO MOLEX INCORPORATED AND SHOULD NOT BE USED WITHOUT WRITTEN PERMISSION	