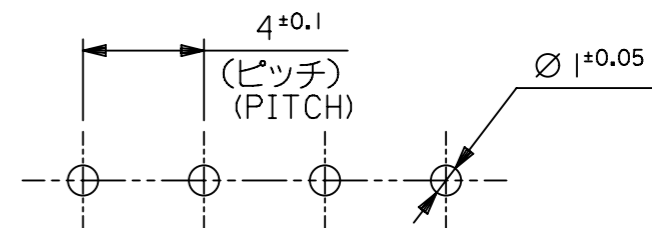


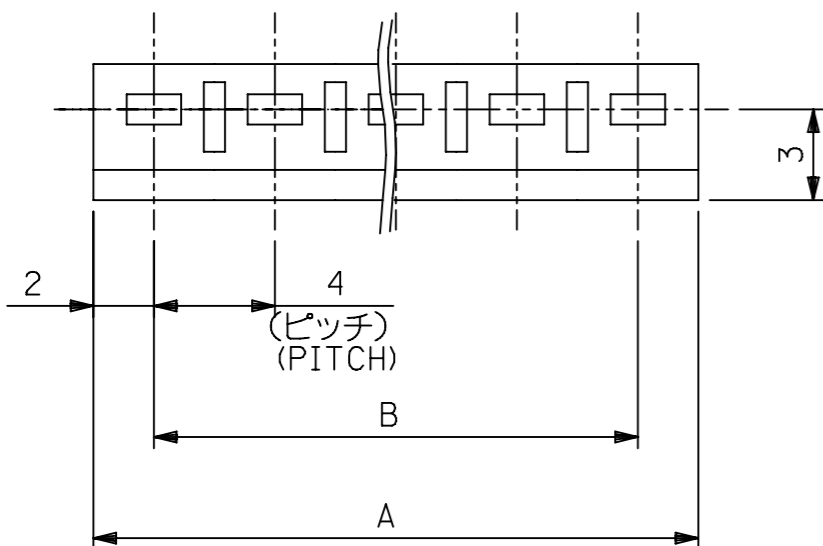
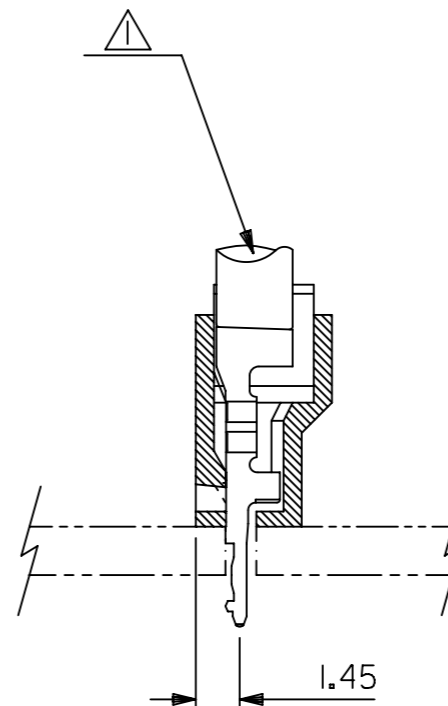
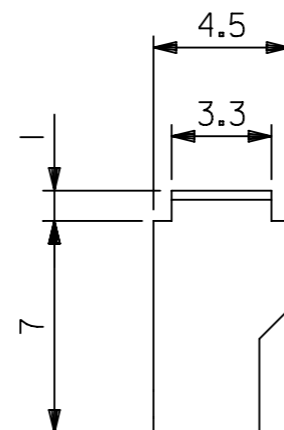
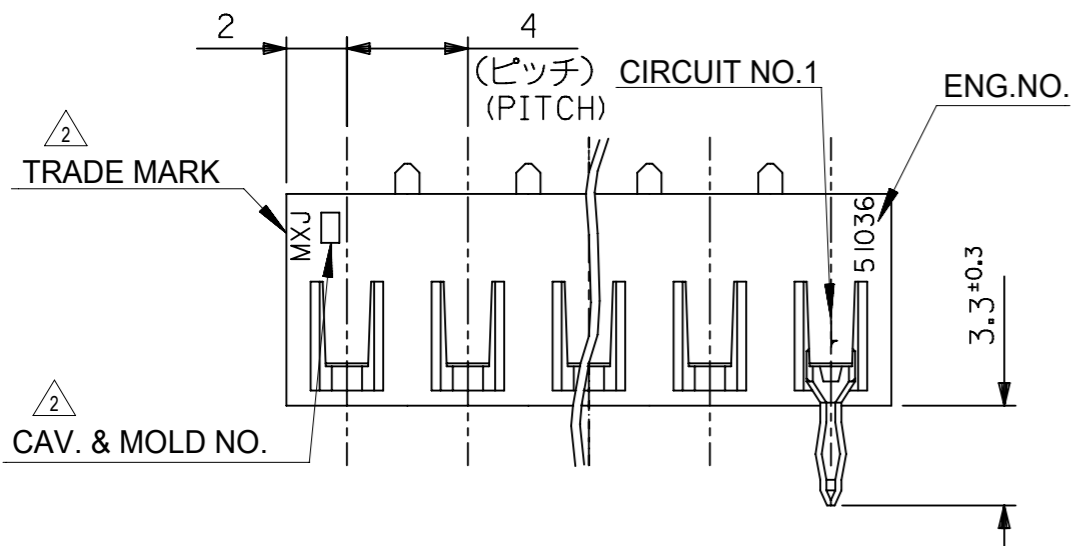
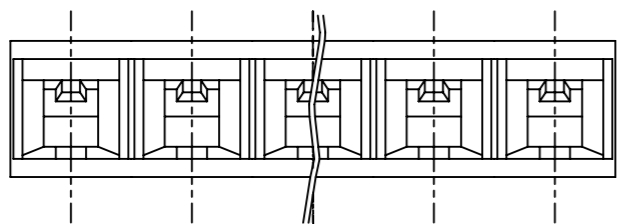
注記  
NOTE

- ① 適合ターミナル : 500978\*00  
APPLICABLE : 500978\*00
- ② トレ - ドマーク : MXJにて表示。  
キャビティー番号 : 1桁から2桁の数字にて表示。 金型番号 : アルファベット1文字にて表示。  
TRADE MARK IS FORMED BY MXJ.  
AND BY 1-2 DIGIT NUMBER (TO CAVITY NO.)  
AND BY 1 LETTER OD ALPHABET (TO MOLD NO.)
- ③ ELV及びRoHS適合品  
ELV AND RoHS COMPLIANT.

(公差非累積)  
(NON-ACCUMULATIVE)



基板取付穴推奨寸法(基板厚: 1.6mm)  
RECOMMENDED PC BOARD  
HOLE DIMENSION  
(THICKNESS: 1.6mm)



56	60	51036 1500	15
36	40	↑ 1000	10
32	36	0900	9
28	32	0800	8
24	28	0700	7
20	24	0600	6
16	20	0500	5
12	16	0400	4
8	12	↓ 0300	3
4	8	51036 0200	2
B	A	ENG.NO.	極数 CKT.

材料 MATERIAL POLYAMIDE,UL94V-0	適用電線範囲 WIRE RANGE AVS0.3~0.85	被覆外径 INS. RANGE Ø1.8~2.6
-------------------------------------	-------------------------------------	--------------------------------

GENERAL TOLERANCES (UNLESS SPECIFIED)	
10 <sup>UNDER</sup>	±0.2
10 <sup>OVER</sup> 30 <sup>UNDER</sup>	±0.25
30 <sup>OVER</sup>	±0.3
ANGULAR	±3°

THIS DRAWING CONTAINS INFORMATION THAT IS PROPRIETARY TO MOLEX ELECTRONIC TECHNOLOGIES, LLC AND SHOULD NOT BE USED WITHOUT WRITTEN PERMISSION

DIMENSION UNITS mm	SCALE 4:1	CURRENT REV DESC: OBSOLETE PART NUMBER AS PER PCN#509451
GENERAL TOLERANCES (UNLESS SPECIFIED)		<b>molex</b> 4.0 BOARD IN CONNECTOR HOUSING PRODUCT CUSTOMER DRAWING
4 PLACES	±	
3 PLACES	±	
2 PLACES	±	
1 PLACE	±	
0 PLACES	±	EC NO: 686785 DRWN: SUGEEB 2021/09/01 CHK'D: GGA 2022/02/28 APPR: GGA 2022/02/28
ANGULAR TOL	± °	INITIAL REVISION: DRWN: KSAND 1996/06/30 APPR: MENOMOTO 1996/06/30
DRAFT WHERE APPLICABLE MUST REMAIN WITHIN DIMENSIONS		THIRD ANGLE PROJECTION DRAWING A3-SIZE SERIES 51036
DOCUMENT NUMBER	DOC TYPE	DOC PART
SD-51036-001	PSD	001
MATERIAL NUMBER	CUSTOMER	SHEET NUMBER
SEE TABLE	GENERAL MARKET	1 OF 1