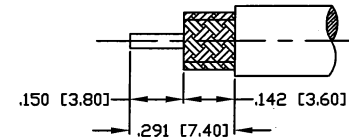
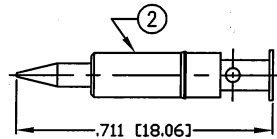
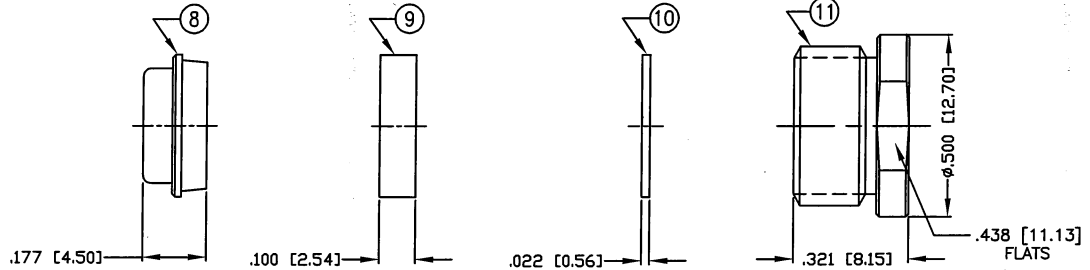
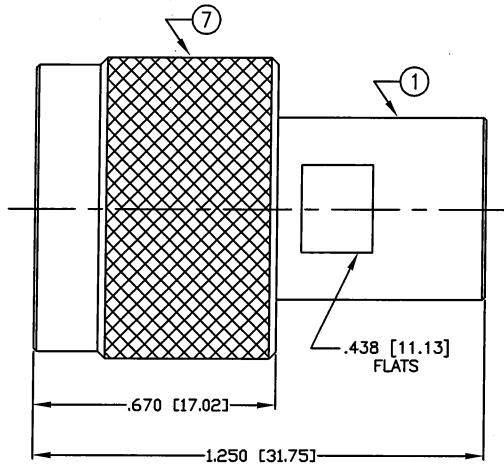


THIS DRAWING CONTAINS INFORMATION PROPRIETARY TO RF INDUSTRIES,
 ANY UNAUTHORIZED USE OF THIS DRAWING IS EXPRESSLY PROHIBITED
 WITHOUT WRITTEN PERMISSION FROM RF INDUSTRIES.
 ANY VIOLATION IS PUNISHABLE UNDER U.S. COPYRIGHT LAWS.

ALL DIMENSIONS ARE REFERENCE ONLY

PART NO. **RFN-1000-N/UG-536B/U**

REV	DESCRIPTION	DWN	DATE	APPROVED
F	CHANGE DIELECTRIC ID	CZS	5/5/98	R. RICE
G	STANDARDIZE SHELL / CHANGE BODY DIMENSIONS	CZS	7/16/99	R. RICE
H	CHANGE DIMS THROUGHOUT TO INCLUDE C1 CBL	CZS	1/19/00	R. RICE
J	CHANGE STRIPING, SPECS & FORMAT	GGG	8/21/01	JDMc



SPECIFICATIONS:

IMPEDANCE: 50 Ohms
 FREQUENCY RANGE: 0-11 GHz
 VSWR: 1.5 Max.
 INSERTION LOSS: .06 dB Max. X \sqrt{f} GHz
 WORKING VOLTAGE: 1k V rms @ sea level
 TEMPERATURE RANGE: -65°C TO 165°C
 INSULATION RESISTANCE: 5k M Ohms min.

(C) FOR RG-58, 58A, 58C, 141, 141A, BELDEN 8240,
 8262, 9201, 9203, 9310, 9311 & COMM/SCOPE 0268
 (C1) FOR RG-55, 55A, 55B, 142, 142A, 142B, 223/U & 400/U,
 ALPHA 9055, 9055B, 9223, BELDEN 8219, 83242, 84142, & 9907

RECOMMENDED CRIPING DIE: .068

RECOMMENDED STRIPPING DIMS

1	BODY	1	BRASS	NICKEL, 100 μ "
2	CONTACT	1	BRASS	GOLD, 3 μ "
3	DIELECTRIC	1	TEFLON	---
4	GASKET	1	RUBBER	---
5	RETAINING RING	1	BRASS	NICKEL, 100 μ "
6	GROUND RING	1	BRASS	NICKEL, 100 μ "
7	SHELL	1	BRASS	NICKEL, 100 μ "
8	CLAMP	1	BRASS	NICKEL, 100 μ "
9	GASKET	1	RUBBER	---
10	WASHER	1	BRASS	NICKEL, 100 μ "
11	BACK NUT	1	BRASS	NICKEL, 100 μ "
12				
13				
14				
#	DESCRIPTION	QTY	MATRL	FINISH

000486
DRAWN C. ZUNIGA
CHECKED <i>[Signature]</i>
ORJ DRAWN S. SMITH
8/21/01
7/30/90
APPROVALS
DATE

UNLESS OTHERWISE SPECIFIED:
 1. REMOVE ALL BURRS
 2. BREAK ALL CORNERS & EDGES .005 R. MAX.
 3. CHAMFER 1ST & LAST THREADS 45°
 4. SURFACE ROUGHNESS 63 FINISH MIL-STD-10
 5. DIAMETERS ON COMMON CENTERS TO BE CONCENTRIC WITHIN .002 T.I.R.
 6. ALL DIMENSIONS ARE AFTER PLATING.

DIMENSIONS ARE IN INCHES AND [MILLIMETERS]
 UNLESS OTHERWISE NOTED TOLERANCES ARE:
 DECIMALS .XXX±.003 [.08]
 DIAMETER .XXX±.001 [.03]
 .XX±.003 [.08]

RF connectors
 DIVISION OF RF INDUSTRIES, LTD.

7610 MIRAMAR RD
 SAN DIEGO, CA 92126
 (858) 549-6340
 (858) 549-6345 FAX

N MALE CLAMP

SIZE A	CABLE GROUP C, C1	DWG NO. RFN-1000-N	REV J
SCALE: NTS		CAD FILE OUTLINE	SHEET 1 OF 1