

SUMMARY

Wires

Low voltage 68



Image is for illustrative purpose only

Series	LM
Termination type	Female crimp
IP rating	68 when mated
AWG wire size	26.00 - 22.00
Cable Ø	11.35 - 22.70 mm
Status	active
Matching parts	FMW.LM.368.XLCM

Download

[Request a quote](#)

[Catalog](#)

TECHNICAL DETAILS

Mechanics

Shell Style/Model	PE*: Fixed receptacle, nut fixing with MIL-DTL38999L shell thread
Keying	5 keys (alpha=95, beta=115, gamma=35, delta=25, plug: male contacts, receptacle: female contacts)
Housing Material	Aluminium (nickel plated [SAE AMS QQ N 290], anthracite color) shell and nut, other pieces bronze/brass
Weight	39.19 g

Performance

Configuration	LM.368 : 68 (0.7 mm) Low Voltage
Insulator	L: PEEK
Rated Current	2.5 Amps

Specifications

Contact Type: Crimp
Contact Retention: 22 N
Contact Dia.: 0.7 mm (0.028in)
Bucket Dia.: 0.8 mm (0.031in)
Min. Conductor: 0.14 mm² (AWG 26)
Max. Conductor: 0.34 mm² (AWG 22)
R (max): 6.1 mOhm

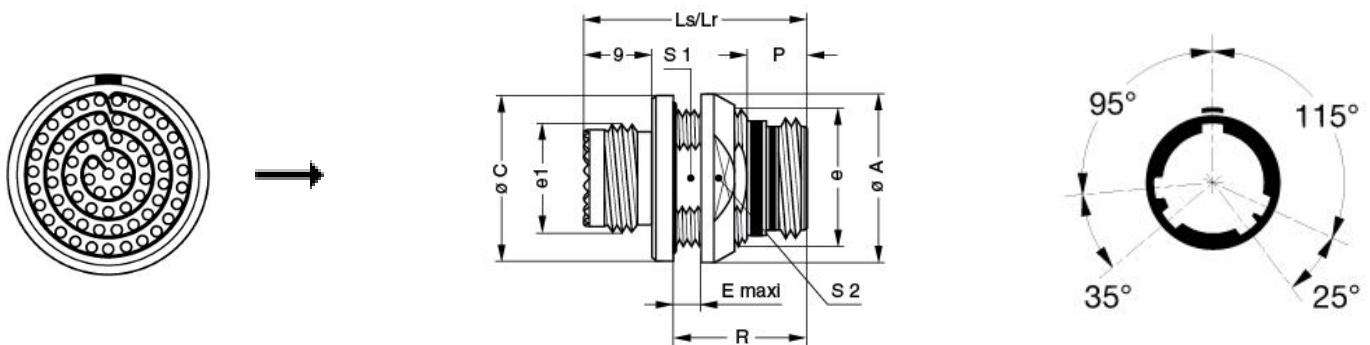
LEMO products and services are provided "as is". LEMO makes no warranties or representations with regard to LEMO product & services or use of them, express, implied or statutory, including for accuracy, completeness, or security. The user is fully responsible for his products and applications using LEMO components.

Test voltage (kV rms) Contact-contact: 1.40
 Test voltage (kV rms) Contact-shell: 1.65

Others

Endurance (Shell): 3000 mating cycles
 Temp (min / max): -20°C / +200°C
 Humidity (max): 21 days at 95%
 Gunfire vibration: 25 Hz - 2000 Hz, 3 axis (Apache helicopter)
 Vibration-Sine: 30 g, 3 axes, 12 hr [10 Hz - 2000 Hz]
 Vibration-Random: 37.8 g rms - 3 axes, 4 hr amb [50 Hz - 2000 Hz]
 Shock Resistance: 300 g [3 ms]
 Lighting strike EIA 364-75: 10K amps - 6 times
 Thermal shock: 5 cycles: -65°C to +150°C
 EMI Shielding EIA 364-66A: >= 80 dB (1 GHz), >=70 dB (3 GHz), >= 58 dB (6 GHz), >= 40 dB (10 GHz)
 Salt Spray Corrosion: max. 48 hr

DRAWINGS



Dimensions

	A	C	E	Lr	Ls	R	S1	S2	e	e1
mm.	33	31.8	4	30.1	28.2	16.9	26.5	29	M28x1.0	M25x1.0
in.	1,30	1,25	0,16	1,19	1,11	0,67	1,04	1,14		

RECOMMENDED BY LEMO

LEMO products and services are provided "as is". LEMO makes no warranties or representations with regard to LEMO product & services or use of them, express, implied or statutory, including for accuracy, completeness, or security. The user is fully responsible for his products and applications using LEMO components.

Tools

Crimp Tool:	DPC.91.701.V
Crimp settings:	AWG/Selector = 22-24-26/6-5-5
Positionner:	DCE.91.07T.5MVM
Extractor:	DCF.93.070.4LT
Replacement contact:	EGW.TM.655.ZZM
Spanner wrench:	Socket for torque wrench DCM.65.290.AZ

LEMO products and services are provided "as is". LEMO makes no warranties or representations with regard to LEMO product & services or use of them, express, implied or statutory, including for accuracy, completeness, or security. The user is fully responsible for his products and applications using LEMO components.