

# Parallel NOR Flash Embedded Memory

## M29W128GH, M29W128GL

### Features

- Supply voltage
    - $V_{CC} = 2.7\text{--}3.6\text{V}$  (program, erase, read)
    - $V_{CCQ} = 1.65\text{--}3.6\text{V}$  (I/O buffers)
    - $V_{PPH} = 12\text{V}$  for fast program (optional)
  - Asynchronous random/page read
    - Page size: 8 words or 16 bytes
    - Page access: 25, 30ns
    - Random access: 60ns<sup>1</sup>, 70, 80ns
  - Fast program commands: 32-word (64-byte) write buffer
  - Enhanced buffered program commands: 256-word
  - Program time
    - 16 $\mu\text{s}$  per byte/word TYP
    - Chip program time: 5s with  $V_{PPH}$  and 8s without  $V_{PPH}$
  - Memory organization
    - Uniform blocks: 128 main blocks, 128-Kbytes or 64-Kwords each
  - Program/erase controller
    - Embedded byte/word program algorithms
  - Program/erase suspend and resume capability
    - Read from any block during a PROGRAM SUSPEND operation
    - Read or program another block during an ERASE SUSPEND operation
  - Unlock bypass, block erase, chip erase, write to buffer, enhanced buffer program commands
    - Fast buffered/batch programming
    - Fast block/chip erase
  - $V_{PP}/WP\#$  pin protection
    - Protects first or last block regardless of block protection settings
  - Software protection
    - Volatile protection
    - Nonvolatile protection
    - Password protection
  - Extended memory block
    - 128-word (256-byte) memory block for permanent, secure identification
  - Common flash interface
    - 64-bit security code
  - Low power consumption: Standby and automatic mode
  - Minimum 100,00 PROGRAM/ERASE cycles per block
  - RoHS compliant packages
    - 56-pin TSOP (N) 14mm x 20mm
    - 64-ball TBGA (ZA) 10mm x 13mm
    - 64-ball FBGA (ZS) 11mm x 13mm
  - Electronic signature
    - Manufacturer code: 0020h
    - M29W128GH uniform, last block protected by  $V_{PP}/WP\#$ : 227Eh + 2221h + 2201h
    - M29W128GL uniform, first block protected by  $V_{PP}/WP\#$ : 227Eh + 2221h + 2200h
  - Automotive device grade temperature
    - $-40^{\circ}\text{C}$  to  $+125^{\circ}\text{C}$  (automotive grade certified)
- Note: 1. The 60ns device is available upon customer request.

## Part Numbering Information

Available with extended memory block prelocked by Micron. Devices are shipped from the factory with memory content bits erased to 1. For available options, such as packages or high/low protection, or for further information, contact your Micron sales representative. Part numbers can be verified at [www.micron.com](http://www.micron.com). Feature and specification comparison by device type is available at [www.micron.com/products](http://www.micron.com/products). Contact the factory for devices not found.

**Table 1: Part Number Information**

| Part Number Category | Category Details                                                                                  | Notes |
|----------------------|---------------------------------------------------------------------------------------------------|-------|
| Device type          | M29                                                                                               |       |
| Operating voltage    | $W = V_{CC} = 2.7 - 3.6V$                                                                         |       |
| Device function      | 128GH = 128Mb (x8/x16) page, uniform block Flash memory, highest block protected by $V_{PP}/WP\#$ |       |
|                      | 128GL = 128Mb (x8/x16) page, uniform block Flash memory, lowest block protected by $V_{PP}/WP\#$  |       |
| Speed                | 70 = 70ns                                                                                         | 1     |
|                      | 60 = 60ns                                                                                         | 1, 2  |
|                      | 7A = 70ns                                                                                         | 1, 3  |
| Package              | N = 56-pin TSOP, 14mm x 20mm                                                                      |       |
|                      | ZA = 64-ball TBGA, 10mm x 13mm, 1mm pitch                                                         |       |
|                      | ZS = 64-ball Fortified BGA, 11mm x 13mm, 1mm pitch                                                |       |
| Temperature range    | 1 = 0 to 70°C                                                                                     |       |
|                      | 6 = -40°C to +85°C (IT)                                                                           |       |
|                      | 3 = -40°C to +125°C (IT)                                                                          |       |
| Shipping options     | E = RoHS-compliant package, standard packing                                                      |       |
|                      | F = RoHS-compliant package, tape and reel packing                                                 |       |

- Notes:
1. 80ns if  $V_{CCQ} = 1.65V$  to  $V_{CC}$ .
  2. The 60ns device is available upon customer request.
  3. Automotive qualified, available only with option 6. Qualified and characterized according to AEC Q100 and Q003 or equivalent; advanced screening according to AEC Q001 and Q002 or equivalent.



## Contents

|                                                                  |    |
|------------------------------------------------------------------|----|
| General Description .....                                        | 7  |
| Signal Assignments .....                                         | 8  |
| Signal Descriptions .....                                        | 10 |
| Memory Organization .....                                        | 11 |
| Uniform Block Memory Map – 128Mb Density .....                   | 11 |
| Bus Operations .....                                             | 12 |
| Read .....                                                       | 12 |
| Write .....                                                      | 12 |
| Standby and Automatic Standby .....                              | 12 |
| Output Disable .....                                             | 13 |
| Reset .....                                                      | 13 |
| Status Register .....                                            | 14 |
| Lock Register .....                                              | 19 |
| Standard Command Definitions – Address-Data Cycles .....         | 22 |
| READ Operations .....                                            | 24 |
| READ/RESET Command .....                                         | 24 |
| READ CFI Command .....                                           | 24 |
| AUTO SELECT Operations .....                                     | 25 |
| AUTO SELECT Command .....                                        | 25 |
| Bypass Operations .....                                          | 28 |
| UNLOCK BYPASS Command .....                                      | 28 |
| UNLOCK BYPASS RESET Command .....                                | 28 |
| Program Operations .....                                         | 29 |
| PROGRAM Command .....                                            | 29 |
| UNLOCK BYPASS PROGRAM Command .....                              | 29 |
| WRITE TO BUFFER PROGRAM Command .....                            | 29 |
| UNLOCK BYPASS WRITE TO BUFFER PROGRAM Command .....              | 32 |
| WRITE TO BUFFER PROGRAM CONFIRM Command .....                    | 32 |
| BUFFERED PROGRAM ABORT AND RESET Command .....                   | 32 |
| PROGRAM SUSPEND Command .....                                    | 32 |
| PROGRAM RESUME Command .....                                     | 33 |
| ENHANCED BUFFERED PROGRAM Command .....                          | 33 |
| UNLOCK BYPASS ENHANCED BUFFERED PROGRAM Command .....            | 34 |
| ENHANCED BUFFERED PROGRAM CONFIRM Command .....                  | 34 |
| Erase Operations .....                                           | 37 |
| CHIP ERASE Command .....                                         | 37 |
| UNLOCK BYPASS CHIP ERASE Command .....                           | 37 |
| BLOCK ERASE Command .....                                        | 37 |
| UNLOCK BYPASS BLOCK ERASE Command .....                          | 38 |
| ERASE SUSPEND Command .....                                      | 38 |
| ERASE RESUME Command .....                                       | 39 |
| Block Protection Command Definitions – Address-Data Cycles ..... | 40 |
| Protection Operations .....                                      | 43 |
| LOCK REGISTER Commands .....                                     | 43 |
| PASSWORD PROTECTION Commands .....                               | 43 |
| NONVOLATILE PROTECTION Commands .....                            | 43 |
| NONVOLATILE PROTECTION BIT LOCK BIT Commands .....               | 45 |
| VOLATILE PROTECTION Commands .....                               | 45 |
| EXTENDED MEMORY BLOCK Commands .....                             | 45 |
| EXIT PROTECTION Command .....                                    | 46 |



## 128Mb 3V Embedded Parallel NOR Flash Features

|                                                                   |    |
|-------------------------------------------------------------------|----|
| Device Protection .....                                           | 47 |
| Hardware Protection .....                                         | 47 |
| Software Protection .....                                         | 47 |
| Volatile Protection Mode .....                                    | 48 |
| Nonvolatile Protection Mode .....                                 | 48 |
| Password Protection Mode .....                                    | 49 |
| Common Flash Interface .....                                      | 50 |
| Power-Up and Reset Characteristics .....                          | 54 |
| Absolute Ratings and Operating Conditions .....                   | 57 |
| DC Characteristics .....                                          | 59 |
| Read AC Characteristics .....                                     | 61 |
| Write AC Characteristics .....                                    | 64 |
| Accelerated Program, Data Polling/Toggle AC Characteristics ..... | 71 |
| Program/Erase Characteristics .....                               | 73 |
| Package Dimensions .....                                          | 74 |
| Revision History .....                                            | 77 |
| Rev. B – 05/15 .....                                              | 77 |
| Rev. A – 07/13 .....                                              | 77 |

## List of Figures

|                                                                               |    |
|-------------------------------------------------------------------------------|----|
| Figure 1: 128 Logic Diagram .....                                             | 7  |
| Figure 2: 56-Pin TSOP (Top View) .....                                        | 8  |
| Figure 3: 64-Ball Fortified BGA and 64-Ball TBGA .....                        | 9  |
| Figure 4: Data Polling Flowchart .....                                        | 16 |
| Figure 5: Toggle Bit Flowchart .....                                          | 17 |
| Figure 6: Status Register Polling Flowchart .....                             | 18 |
| Figure 7: Lock Register Program Flowchart .....                               | 20 |
| Figure 8: WRITE TO BUFFER PROGRAM Flowchart .....                             | 31 |
| Figure 9: ENHANCED BUFFERED PROGRAM Flowchart .....                           | 35 |
| Figure 10: Program/Erase Nonvolatile Protection Bit Algorithm .....           | 44 |
| Figure 11: Software Protection Scheme .....                                   | 49 |
| Figure 12: Power-Up Timing .....                                              | 54 |
| Figure 13: Reset AC Timing – No PROGRAM/ERASE Operation in Progress .....     | 55 |
| Figure 14: Reset AC Timing During PROGRAM/ERASE Operation .....               | 56 |
| Figure 15: AC Measurement Load Circuit .....                                  | 58 |
| Figure 16: AC Measurement I/O Waveform .....                                  | 58 |
| Figure 17: Random Read AC Timing (8-Bit Mode) .....                           | 62 |
| Figure 18: Random Read AC Timing (16-Bit Mode) .....                          | 62 |
| Figure 19: BYTE Transition AC Timing .....                                    | 63 |
| Figure 20: Page Read AC Timing (16-Bit Mode) .....                            | 63 |
| Figure 21: WE#-Controlled Program AC Timing (8-Bit Mode) .....                | 65 |
| Figure 22: WE#-Controlled Program AC Timing (16-Bit Mode) .....               | 66 |
| Figure 23: CE#-Controlled Program AC Timing (8-Bit Mode) .....                | 68 |
| Figure 24: CE#-Controlled Program AC Timing (16-Bit Mode) .....               | 69 |
| Figure 25: Chip/Block Erase AC Timing (8-Bit Mode) .....                      | 70 |
| Figure 26: Accelerated Program AC Timing .....                                | 71 |
| Figure 27: Data Polling AC Timing .....                                       | 72 |
| Figure 28: Toggle/Alternative Toggle Bit Polling AC Timing (8-Bit Mode) ..... | 72 |
| Figure 29: 56-Pin TSOP – 14mm x 20mm .....                                    | 74 |
| Figure 30: 64-Ball TBGA – 10mm x 13mm .....                                   | 75 |
| Figure 31: 64-Ball FBGA – 11mm x 13mm .....                                   | 76 |

## List of Tables

|                                                                                              |    |
|----------------------------------------------------------------------------------------------|----|
| Table 1: Part Number Information .....                                                       | 2  |
| Table 2: Signal Descriptions .....                                                           | 10 |
| Table 3: x8 and x16 Blocks[127:0] .....                                                      | 11 |
| Table 4: Bus Operations .....                                                                | 12 |
| Table 5: Status Register Bit Definitions .....                                               | 14 |
| Table 6: Operations and Corresponding Bit Settings .....                                     | 15 |
| Table 7: Lock Register Bit Definitions .....                                                 | 19 |
| Table 8: Block Protection Status .....                                                       | 19 |
| Table 9: Standard Command Definitions – Address-Data Cycles, 8-Bit and 16-Bit .....          | 22 |
| Table 10: Read Electronic Signature .....                                                    | 25 |
| Table 11: Block Protection .....                                                             | 27 |
| Table 12: Block Protection Command Definitions – Address-Data Cycles, 8-Bit and 16-Bit ..... | 40 |
| Table 13: Extended Memory Block Address and Data .....                                       | 45 |
| Table 14: V <sub>pp</sub> /WP# Functions .....                                               | 47 |
| Table 15: Query Structure Overview .....                                                     | 50 |
| Table 16: CFI Query Identification String .....                                              | 50 |
| Table 17: CFI Query System Interface Information .....                                       | 51 |
| Table 18: Device Geometry Definition .....                                                   | 51 |
| Table 19: Primary Algorithm-Specific Extended Query Table .....                              | 52 |
| Table 20: Security Code Area .....                                                           | 53 |
| Table 21: Power-Up Wait Timing Specifications .....                                          | 54 |
| Table 22: Reset AC Characteristics .....                                                     | 55 |
| Table 23: Absolute Maximum/Minimum Ratings .....                                             | 57 |
| Table 24: Operating and AC Measurement Conditions .....                                      | 57 |
| Table 25: Input/Output Capacitance .....                                                     | 58 |
| Table 26: DC Current Characteristics .....                                                   | 59 |
| Table 27: DC Voltage Characteristics .....                                                   | 60 |
| Table 28: Read AC Characteristics .....                                                      | 61 |
| Table 29: WE#-Controlled Write AC Characteristics .....                                      | 64 |
| Table 30: CE#-Controlled Write AC Characteristics .....                                      | 67 |
| Table 31: Accelerated Program and Data Polling/Data Toggle AC Characteristics .....          | 71 |
| Table 32: Program/Erase Characteristics .....                                                | 73 |

## General Description

The M29W is an asynchronous, uniform block, parallel NOR Flash memory device manufactured on 90nm single-level cell (SLC) technology. READ, ERASE, and PROGRAM operations are performed using a single low-voltage supply. Upon power-up, the device defaults to read array mode.

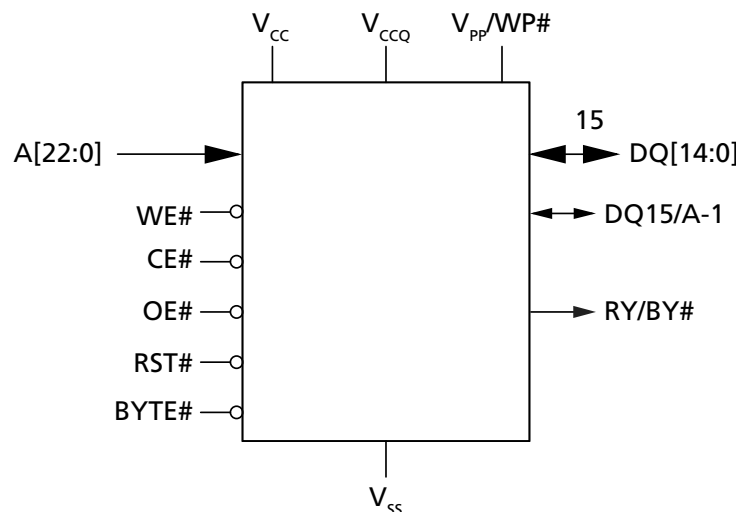
The main memory array is divided into uniform blocks that can be erased independently so that valid data can be preserved while old data is purged. PROGRAM and ERASE commands are written to the command interface of the memory. An on-chip program/erase controller simplifies the process of programming or erasing the memory by taking care of all special operations required to update the memory contents. The end of a PROGRAM or ERASE operation can be detected and any error condition can be identified. The command set required to control the device is consistent with JEDEC standards.

CE#, OE#, and WE# control the bus operation of the device and enable a simple connection to most microprocessors, often without additional logic.

The M29W supports asynchronous random read and page read from all blocks of the array. It features a write to buffer program capability that improves throughput by programming a buffer of 32 words in one command sequence. Also, in x16 mode, the enhanced buffered program capability improves throughput by programming 256 words in one command sequence. The device  $V_{PP}/WP\#$  signal enables faster programming.

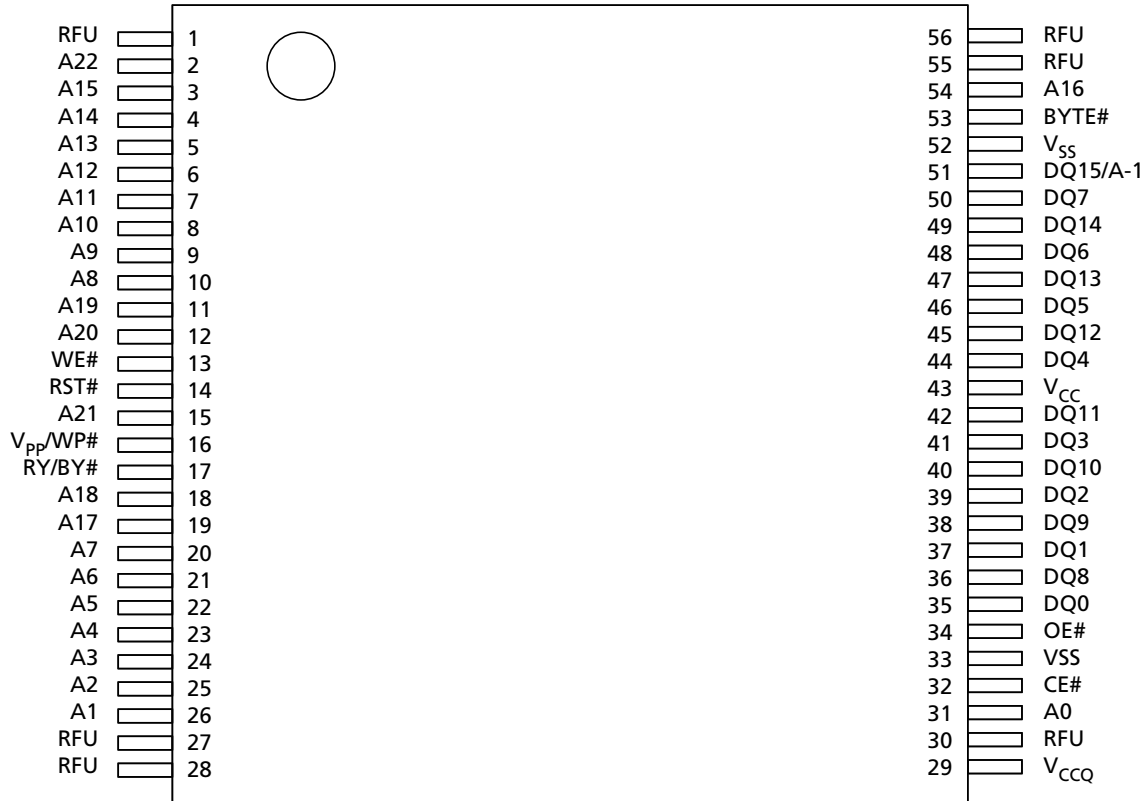
The device contains a 128-word (x16) and 256-byte (x8) extended memory block. The user can program this additional space and then protect it to permanently secure the contents. The device also features different levels of hardware and software protection to secure blocks from unwanted modification.

**Figure 1: 128 Logic Diagram**



## Signal Assignments

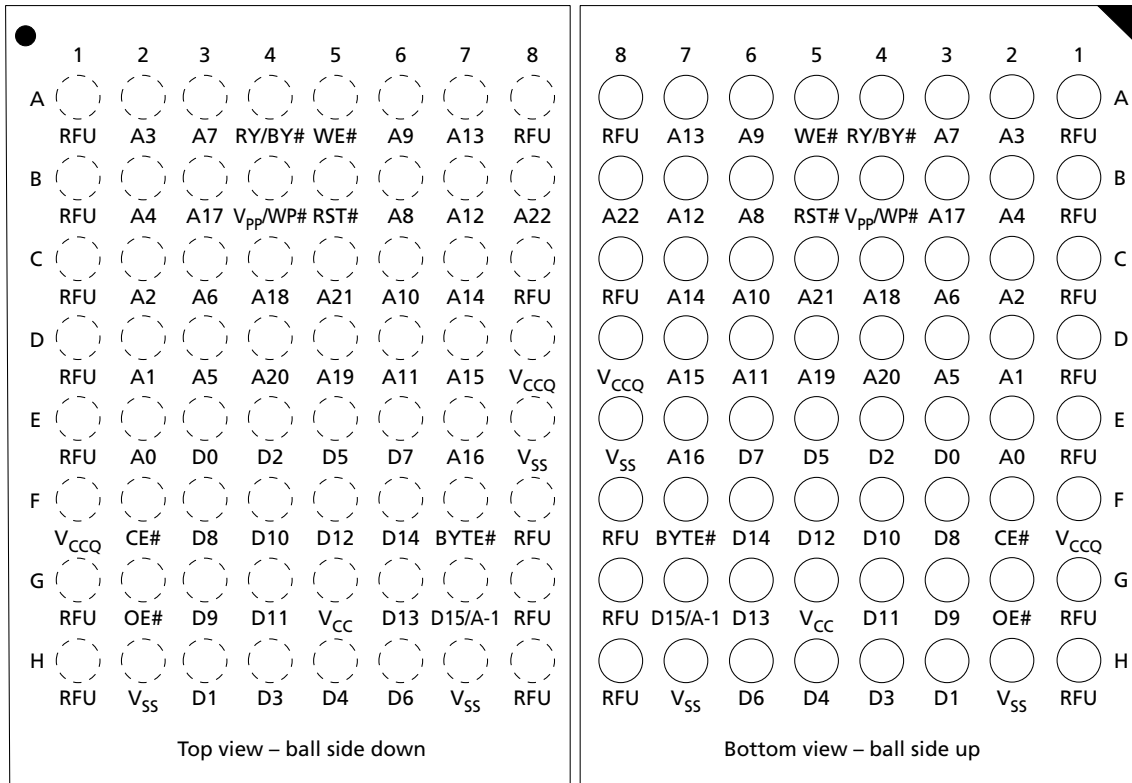
Figure 2: 56-Pin TSOP (Top View)



- Notes:
1. A22 = A[*MAX*].
  2. A-1 is the least significant address bit in x8 mode.



**Figure 3: 64-Ball Fortified BGA and 64-Ball TBGA**



- Notes:
1. A[22] = A[MAX].
  2. A-1 is the least significant address bit in x8 mode.

## Signal Descriptions

The signal description table below is a comprehensive list of signals for this device family. All signals listed may not be supported on this device. See Signal Assignments for information specific to this device.

**Table 2: Signal Descriptions**

| Name                 | Type   | Description                                                                                                                                                                                                                                                                                                                                                                                                                                                                                                                                                                                                                                                                                                                                 |
|----------------------|--------|---------------------------------------------------------------------------------------------------------------------------------------------------------------------------------------------------------------------------------------------------------------------------------------------------------------------------------------------------------------------------------------------------------------------------------------------------------------------------------------------------------------------------------------------------------------------------------------------------------------------------------------------------------------------------------------------------------------------------------------------|
| A[MAX:0]             | Input  | <b>Address:</b> Selects the cells in the array to access during READ operations. During WRITE operations, they control the commands sent to the command interface of the program/erase controller.                                                                                                                                                                                                                                                                                                                                                                                                                                                                                                                                          |
| CE#                  | Input  | <b>Chip enable:</b> Activates the device, enabling READ and WRITE operations to be performed. When CE# is HIGH, the device goes to standby and data outputs are at HIGH-Z.                                                                                                                                                                                                                                                                                                                                                                                                                                                                                                                                                                  |
| OE#                  | Input  | <b>Output enable:</b> Controls the bus READ operation.                                                                                                                                                                                                                                                                                                                                                                                                                                                                                                                                                                                                                                                                                      |
| WE#                  | Input  | <b>Write enable:</b> Controls the bus WRITE operation of the command interface.                                                                                                                                                                                                                                                                                                                                                                                                                                                                                                                                                                                                                                                             |
| V <sub>pp</sub> /WP# | Input  | <b>V<sub>pp</sub>/Write Protect:</b> Provides WRITE PROTECT function and V <sub>ppH</sub> function. These functions protect the lowest or highest block and enable the device to enter unlock bypass mode, respectively. (Refer to Hardware Protection and Bypass Operations for details.)                                                                                                                                                                                                                                                                                                                                                                                                                                                  |
| BYTE#                | Input  | <b>Byte/word organization select:</b> Switches between x8 and x16 bus modes. When BYTE# is LOW, the device is in x8 mode; when HIGH, the device is in x16 mode.                                                                                                                                                                                                                                                                                                                                                                                                                                                                                                                                                                             |
| RST#                 | Input  | <b>Reset:</b> Applies a hardware reset to the device, which is achieved by holding RST# LOW for at least <sup>t</sup> PLPX. After RST# goes HIGH, the device is ready for READ and WRITE operations (after <sup>t</sup> PHL or <sup>t</sup> RHEL, whichever occurs last). See RESET AC Specifications for more details.                                                                                                                                                                                                                                                                                                                                                                                                                     |
| DQ[7:0]              | I/O    | <b>Data I/O:</b> Outputs the data stored at the selected address during a READ operation. During WRITE operations, they represent the commands sent to the command interface of the internal state machine.                                                                                                                                                                                                                                                                                                                                                                                                                                                                                                                                 |
| DQ[14:8]             | I/O    | <b>Data I/O:</b> Outputs the data stored at the selected address during a READ operation when BYTE# is HIGH. When BYTE# is LOW, these pins are not used and are High-Z. During WRITE operations, these bits are not used. When reading the status register, these bits should be ignored.                                                                                                                                                                                                                                                                                                                                                                                                                                                   |
| DQ15/A-1             | I/O    | <b>Data I/O or address input:</b> When the device operates in x16 bus mode, this pin behaves as data I/O, together with DQ[14:8]. When the device operates in x8 bus mode, this pin behaves as the least significant bit of the address.<br>Except where stated explicitly otherwise, DQ15 = data I/O (x16 mode); A-1 = address input (x8 mode).                                                                                                                                                                                                                                                                                                                                                                                            |
| RY/BY#               | Output | <b>Ready busy:</b> Open-drain output that can be used to identify when the device is performing a PROGRAM or ERASE operation. During PROGRAM or ERASE operations, RY/BY# is LOW, and is High-Z during read mode, auto select mode, and erase suspend mode. After a hardware reset, READ and WRITE operations cannot begin until RY/BY# goes High-Z (see RESET AC Specifications for more details).<br><br>The use of an open-drain output enables the RY/BY# pins from several devices to be connected to a single pull-up resistor to V <sub>CCQ</sub> . A low value will then indicate that one (or more) of the devices is (are) busy. A 10K Ohm or bigger resistor is recommended as pull-up resistor to achieve 0.1V V <sub>OL</sub> . |

**Table 2: Signal Descriptions (Continued)**

| Name             | Type   | Description                                                                                                                                                                                                                                                                                                                                                                                                                                                                                                                                                                                                                                                                                                                         |
|------------------|--------|-------------------------------------------------------------------------------------------------------------------------------------------------------------------------------------------------------------------------------------------------------------------------------------------------------------------------------------------------------------------------------------------------------------------------------------------------------------------------------------------------------------------------------------------------------------------------------------------------------------------------------------------------------------------------------------------------------------------------------------|
| V <sub>CC</sub>  | Supply | <p><b>Supply voltage:</b> Provides the power supply for READ, PROGRAM, and ERASE operations. The command interface is disabled when V<sub>CC</sub> ≤ V<sub>LKO</sub>. This prevents WRITE operations from accidentally damaging the data during power-up, power-down, and power surges. If the program/erase controller is programming or erasing during this time, then the operation aborts and the contents being altered will be invalid.</p> <p>A 0.1µF capacitor should be connected between V<sub>CC</sub> and V<sub>SS</sub> to decouple the current surges from the power supply. The PCB track widths must be sufficient to carry the currents required during PROGRAM and ERASE operations (see DC Characteristics).</p> |
| V <sub>CCQ</sub> | Supply | <b>I/O supply voltage:</b> Provides the power supply to the I/O pins and enables all outputs to be powered independently from V <sub>CC</sub> .                                                                                                                                                                                                                                                                                                                                                                                                                                                                                                                                                                                     |
| V <sub>SS</sub>  | Supply | <b>Ground:</b> All V <sub>SS</sub> pins must be connected to the system ground.                                                                                                                                                                                                                                                                                                                                                                                                                                                                                                                                                                                                                                                     |
| RFU              | –      | <b>Reserved for future use:</b> RFUs should be not connected.                                                                                                                                                                                                                                                                                                                                                                                                                                                                                                                                                                                                                                                                       |

## Memory Organization

### Uniform Block Memory Map – 128Mb Density

**Table 3: x8 and x16 Blocks[127:0]**

| Block | Block Size | Address Range (x8) |           | Block Size | Address Range (x16) |           |
|-------|------------|--------------------|-----------|------------|---------------------|-----------|
|       |            | Start              | End       |            | Start               | End       |
| 127   | 128KB      | 0FE 0000h          | 0FF FFFFh | 64KW       | 07F 0000h           | 07F FFFFh |
| ⋮     |            | ⋮                  | ⋮         |            | ⋮                   | ⋮         |
| 63    |            | 07E 0000h          | 07F FFFFh |            | 03F 0000h           | 03F FFFFh |
| ⋮     |            | ⋮                  | ⋮         |            | ⋮                   | ⋮         |
| 0     |            | 000 0000h          | 001 FFFFh |            | 000 0000h           | 000 FFFFh |

Note: 1. The main memory array is divided into 128KB or 64KW uniform blocks.

## Bus Operations

**Table 4: Bus Operations**

Notes 1 and 2 apply to entire table

| Operation         | CE# | OE# | WE# | RST# | V <sub>pp</sub> /WP# | 8-Bit Mode            |          |                         | 16-Bit Mode        |                         |
|-------------------|-----|-----|-----|------|----------------------|-----------------------|----------|-------------------------|--------------------|-------------------------|
|                   |     |     |     |      |                      | A[MAX:0],<br>DQ15/A-1 | DQ[14:8] | DQ[7:0]                 | A[MAX:0]           | DQ15/A-1,<br>DQ[14:0]   |
| READ              | L   | L   | H   | H    | X                    | Cell address          | High-Z   | Data output             | Cell address       | Data output             |
| WRITE             | L   | H   | L   | H    | X <sup>3</sup>       | Command<br>address    | High-Z   | Data input <sup>4</sup> | Command<br>address | Data input <sup>4</sup> |
| STANDBY           | H   | X   | X   | H    | X                    | X                     | High-Z   | High-Z                  | X                  | High-Z                  |
| OUTPUT<br>DISABLE | L   | H   | H   | H    | X                    | X                     | High-Z   | High-Z                  | X                  | High-Z                  |
| RESET             | X   | X   | X   | L    | X                    | X                     | High-Z   | High-Z                  | X                  | High-Z                  |

- Notes:
1. Typical glitches of less than 5ns on CE#, WE#, and RST# are ignored by the device and do not affect bus operations.
  2. H = Logic level HIGH ( $V_{IH}$ ); L = Logic level LOW ( $V_{IL}$ ); X = HIGH or LOW.
  3. If WP# is LOW, then the highest or the lowest block remains protected, depending on line item.
  4. Data input is required when issuing a command sequence or when performing data polling or block protection.

### Read

Bus READ operations read from the memory cells, registers, or CFI space. To accelerate the READ operation, the memory array can be read in page mode where data is internally read and stored in a page buffer.

The page size is 8 words (16 bytes) and is addressed by address inputs A[2:0] in x16 bus mode and A[2:0] plus DQ15/A-1 in x8 bus mode. The extended memory blocks and CFI area do not support page read mode.

A valid READ operation requires setting the appropriate address on the address inputs, taking CE# and OE# LOW, and holding WE# HIGH. Data I/O signals output the value.

### Write

Bus WRITE operations write to the command interface. A valid WRITE operation requires setting the appropriate address on the address inputs. These are latched by the command interface on the falling edge of CE# or WE#, whichever occurs last. Values on data I/O signals are latched by the command interface on the rising edge of CE# or WE#, whichever occurs first. OE# must remain HIGH during the entire operation.

### Standby and Automatic Standby

When the device is in read mode, driving CE# HIGH places the device in standby mode and drives data I/Os to High-Z. Supply current is reduced to standby ( $I_{CC2}$ ) by holding CE# within  $V_{CC} \pm 0.3V$ .

During PROGRAM or ERASE operations, the device continues to use the program/erase supply current ( $I_{CC3}$ ) until the operation completes.

Automatic standby enables low power consumption during read mode. When CMOS levels ( $V_{CC} \pm 0.3V$ ) drive the bus, and following a READ operation and a period of inactivity specified in DC Characteristics, the memory enters automatic standby as internal supply current is reduced to  $I_{CC2}$ . Data I/O signals still output data if a READ operation is in progress. Depending on load circuits connected with data bus,  $V_{CCQ}$  can have a null consumption when the memory enters automatic standby.

### Output Disable

Data I/Os are High-Z when OE# is HIGH.

### Reset

During reset mode, the device is deselected, and outputs are High-Z. The device is in reset mode when RST# is LOW. Power consumption is reduced to standby level independently from CE#, OE#, or WE# inputs.

## Status Register

**Table 5: Status Register Bit Definitions**

Note 1 applies to entire table

| Bit | Name                       | Settings                                           | Description                                                                                                                                                                                                                                                                  | Notes   |
|-----|----------------------------|----------------------------------------------------|------------------------------------------------------------------------------------------------------------------------------------------------------------------------------------------------------------------------------------------------------------------------------|---------|
| DQ7 | Data polling bit           | 0 or 1, depending on operations                    | Monitors whether the program/erase controller has successfully completed its operation, or has responded to an ERASE SUSPEND operation.                                                                                                                                      | 2, 3, 4 |
| DQ6 | Toggle bit                 | Toggles: 0 to 1; 1 to 0; and so on                 | Monitors whether the program/erase controller has successfully completed its operations, or has responded to an ERASE SUSPEND operation. During a PROGRAM/ERASE operation, DQ6 toggles from 0 to 1, 1 to 0, and so on, with each successive READ operation from any address. | 3, 4, 5 |
| DQ5 | Error bit                  | 0 = Success<br>1 = Failure                         | Identifies errors detected by the program/erase controller. DQ5 is set to 1 when a PROGRAM, BLOCK ERASE, or CHIP ERASE operation fails to write the correct data to the memory.                                                                                              | 4, 6    |
| DQ3 | Erase timer bit            | 0 = Erase not in progress<br>1 = Erase in progress | Identifies the start of program/erase controller operation during a BLOCK ERASE command. Before the program/erase controller starts, this bit set to 0, and additional blocks to be erased can be written to the command interface.                                          | 4       |
| DQ2 | Alternative toggle bit     | Toggles: 0 to 1; 1 to 0; and so on                 | Monitors the program/erase controller during ERASE operations. During CHIP ERASE, BLOCK ERASE, and ERASE SUSPEND operations, DQ2 toggles from 0 to 1, 1 to 0, and so on, with each successive READ operation from addresses within the blocks being erased.                  | 3, 4    |
| DQ1 | Buffered program abort bit | 1 = Abort                                          | Indicates a BUFFER PROGRAM operation abort. The BUFFERED PROGRAM ABORT and RESET command must be issued to return the device to read mode (see WRITE TO BUFFER PROGRAM command).                                                                                             |         |

- Notes:
1. The status register can be read during PROGRAM, ERASE, or ERASE SUSPEND operations; the READ operation outputs data on DQ[7:0].
  2. For a PROGRAM operation in progress, DQ7 outputs the complement of the bit being programmed. For a READ operation from the address previously programmed successfully, DQ7 outputs existing DQ7 data. For a READ operation from addresses with blocks to be erased while an ERASE SUSPEND operation is in progress, DQ7 outputs 0; upon successful completion of the ERASE SUSPEND operation, DQ7 outputs 1. For an ERASE operation in progress, DQ7 outputs 0; upon either operation's successful completion, DQ7 outputs 1.
  3. After successful completion of a PROGRAM or ERASE operation, the device returns to read mode.
  4. During erase suspend mode, READ operations to addresses within blocks not being erased output memory array data as if in read mode. A protected block is treated the same as a block not being erased. See the Toggle Flowchart for more information.
  5. During erase suspend mode, DQ6 toggles when addressing a cell within a block being erased. The toggling stops when the program/erase controller has suspended the ERASE operation. See the Toggle Flowchart for more information.
  6. When DQ5 is set to 1, a READ/RESET command must be issued before any subsequent command.

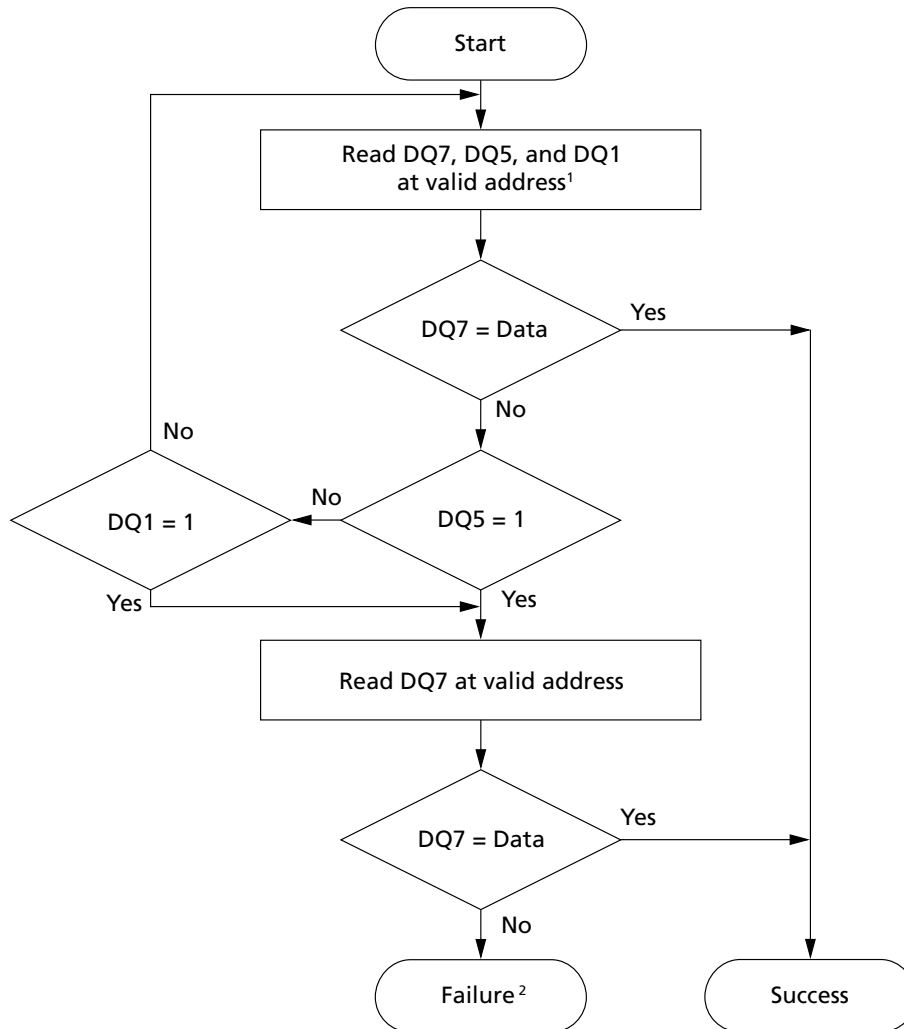
**Table 6: Operations and Corresponding Bit Settings**

Note 1 applies to entire table

| Operation                    | Address              | DQ7                                          | DQ6       | DQ5 | DQ3 | DQ2       | DQ1 | RY/BY# | Notes |
|------------------------------|----------------------|----------------------------------------------|-----------|-----|-----|-----------|-----|--------|-------|
| PROGRAM                      | Any address          | DQ7#                                         | Toggle    | 0   | –   | No toggle | 0   | 0      | 2     |
| PROGRAM during ERASE SUSPEND | Any address          | DQ7#                                         | Toggle    | 0   | –   | –         | –   | 0      |       |
| BUFFERED PROGRAM ABORT       | Any address          | DQ7#                                         | Toggle    | 0   | –   | –         | 1   | 0      | 2     |
| PROGRAM error                | Any address          | DQ7#                                         | Toggle    | 1   | –   | –         | –   | High-Z |       |
| CHIP ERASE                   | Any address          | 0                                            | Toggle    | 0   | 1   | Toggle    | –   | 0      |       |
| BLOCK ERASE before time-out  | Erasing block        | 0                                            | Toggle    | 0   | 0   | Toggle    | –   | 0      |       |
|                              | Non-erasing block    | 0                                            | Toggle    | 0   | 0   | No toggle | –   | 0      |       |
| BLOCK ERASE                  | Erasing block        | 0                                            | Toggle    | 0   | 1   | Toggle    | –   | 0      |       |
|                              | Non-erasing block    | 0                                            | Toggle    | 0   | 1   | No toggle | –   | 0      |       |
| ERASE SUSPEND                | Erasing block        | 1                                            | No toggle | 0   | –   | Toggle    | –   | High-Z |       |
|                              | Non-erasing block    | Outputs memory array data as if in read mode |           |     |     |           | –   | High-Z |       |
| BLOCK ERASE error            | Good block address   | 0                                            | Toggle    | 1   | 1   | No toggle | –   | High-Z |       |
|                              | Faulty block address | 0                                            | Toggle    | 1   | 1   | Toggle    | –   | High-Z |       |

- Notes: 1. Unspecified data bits should be ignored.  
2. DQ7# for buffer program is related to the last address location loaded.

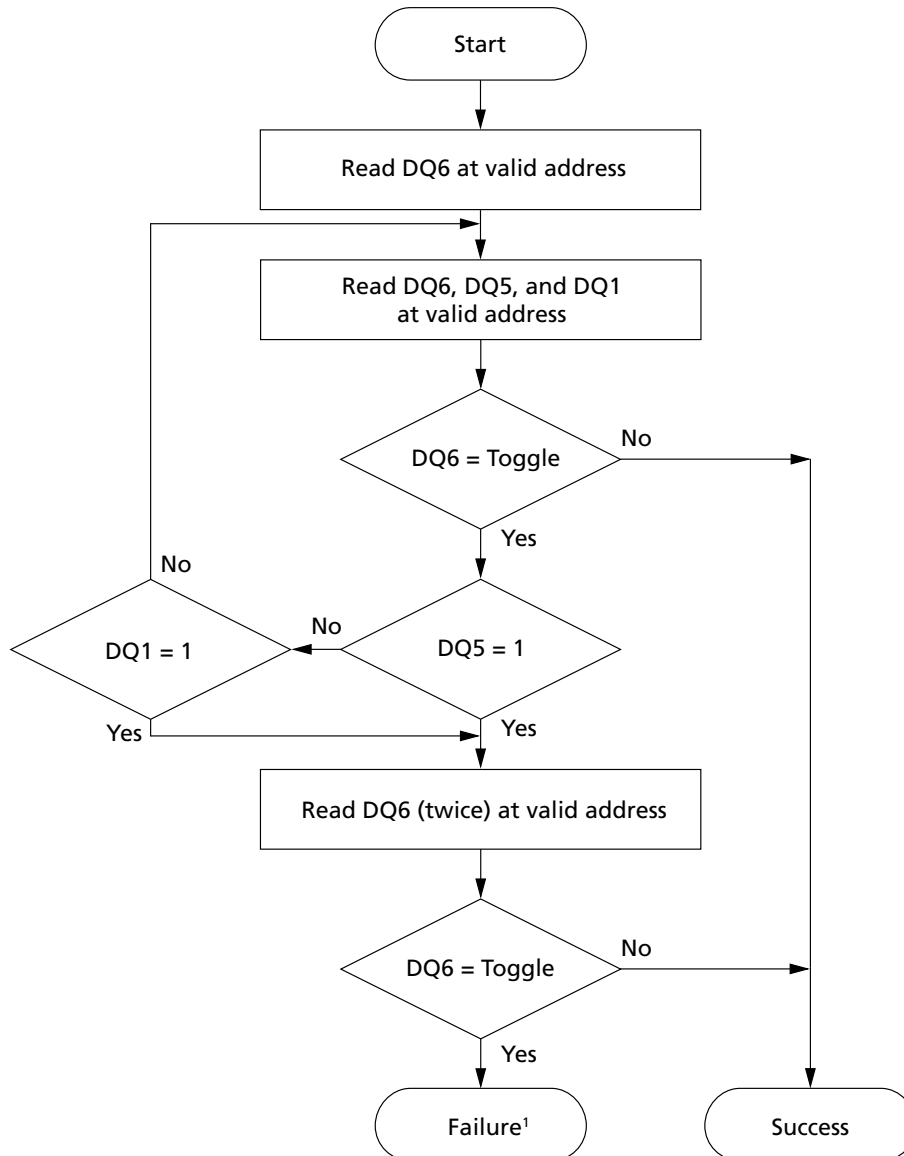
**Figure 4: Data Polling Flowchart**



- Notes:
1. Valid address is the address being programmed or an address within the block being erased.
  2. Failure results: DQ5 = 1 indicates an operation error; DQ1 = 1 indicates a WRITE TO BUFFER PROGRAM ABORT operation.

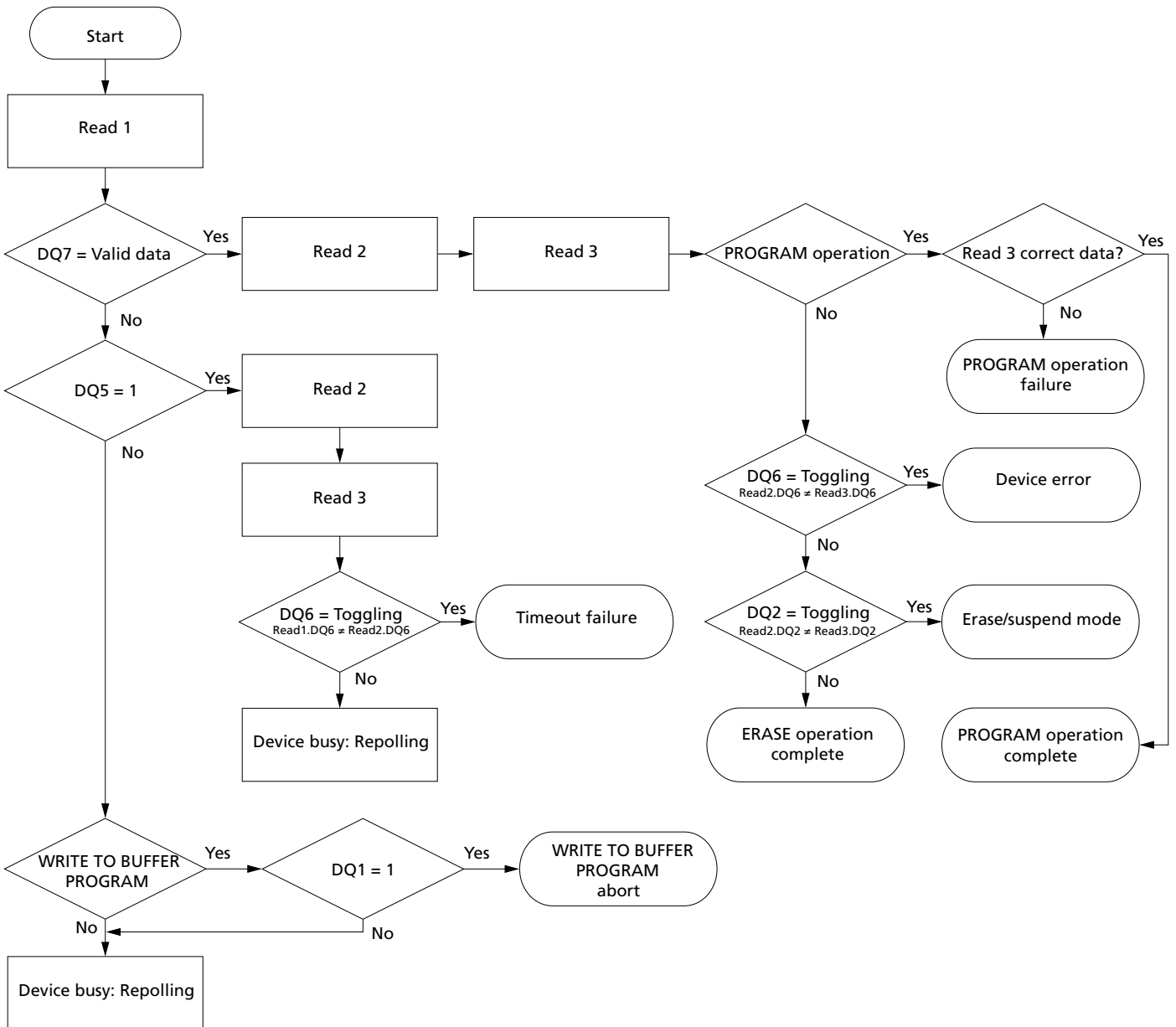


**Figure 5: Toggle Bit Flowchart**



Note: 1. Failure results: DQ5 = 1 indicates an operation error; DQ1 = 1 indicates a WRITE TO BUFFER PROGRAM ABORT operation.

**Figure 6: Status Register Polling Flowchart**



## Lock Register

**Table 7: Lock Register Bit Definitions**

Note 1 applies to entire table

| Bit | Name                                 | Settings                                                                                                                                        | Description                                                                                                                                                                                                                           | Notes |
|-----|--------------------------------------|-------------------------------------------------------------------------------------------------------------------------------------------------|---------------------------------------------------------------------------------------------------------------------------------------------------------------------------------------------------------------------------------------|-------|
| DQ2 | Password protection mode lock bit    | 0 = Password protection mode enabled<br>1 = Password protection mode disabled (Default)                                                         | Places the device permanently in password protection mode.                                                                                                                                                                            | 2     |
| DQ1 | Nonvolatile protection mode lock bit | 0 = Nonvolatile protection mode enabled with password protection mode permanently disabled<br>1 = Nonvolatile protection mode enabled (Default) | Places the device in nonvolatile protection mode with password protection mode permanently disabled. When shipped from the factory, the device will operate in nonvolatile protection mode, and the memory blocks are unprotected.    | 2     |
| DQ0 | Extended memory block protection bit | 0 = Protected<br>1 = Unprotected (Default)                                                                                                      | If the device is shipped with the extended memory block unlocked, the block can be protected by setting this bit to 0. The extended memory block protection status can be read in auto select mode by issuing an AUTO SELECT command. |       |

- Notes:
1. The lock register is a 16-bit, one-time programmable register. DQ[15:3] are reserved and are set to a default value of 1.
  2. The password protection mode lock bit and nonvolatile protection mode lock bit cannot both be programmed to 0. Any attempt to program one while the other is programmed causes the operation to abort, and the device returns to read mode. The device is shipped from the factory with the default setting.

**Table 8: Block Protection Status**

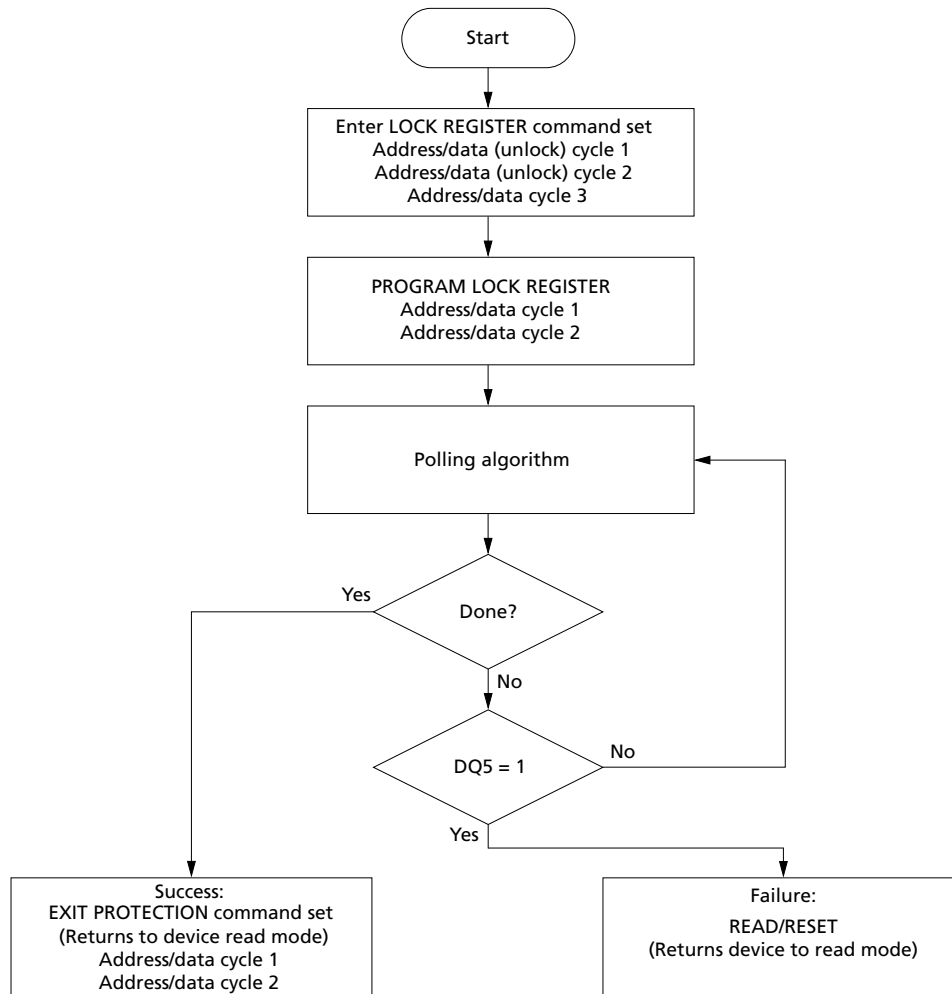
| Nonvolatile Protection Bit Lock Bit <sup>1</sup> | Nonvolatile Protection Bit <sup>2</sup> | Volatile Protection Bit <sup>3</sup> | Block Protection Status | Block Protection Status                                                                                           |
|--------------------------------------------------|-----------------------------------------|--------------------------------------|-------------------------|-------------------------------------------------------------------------------------------------------------------|
| 1                                                | 1                                       | 1                                    | 00h                     | Block unprotected; nonvolatile protection bit changeable.                                                         |
| 1                                                | 1                                       | 0                                    | 01h                     | Block protected by volatile protection bit; nonvolatile protection bit changeable.                                |
| 1                                                | 0                                       | 1                                    | 01h                     | Block protected by nonvolatile protection bit; nonvolatile protection bit changeable.                             |
| 1                                                | 0                                       | 0                                    | 01h                     | Block protected by nonvolatile protection bit and volatile protection bit; nonvolatile protection bit changeable. |
| 0                                                | 1                                       | 1                                    | 00h                     | Block unprotected; nonvolatile protection bit unchangeable.                                                       |
| 0                                                | 1                                       | 0                                    | 01h                     | Block protected by volatile protection bit; nonvolatile protection bit unchangeable.                              |
| 0                                                | 0                                       | 1                                    | 01h                     | Block protected by nonvolatile protection bit; nonvolatile protection bit unchangeable.                           |

**Table 8: Block Protection Status (Continued)**

| Nonvolatile Protection Bit Lock Bit <sup>1</sup> | Nonvolatile Protection Bit <sup>2</sup> | Volatile Protection Bit <sup>3</sup> | Block Protection Status | Block Protection Status                                                                                             |
|--------------------------------------------------|-----------------------------------------|--------------------------------------|-------------------------|---------------------------------------------------------------------------------------------------------------------|
| 0                                                | 0                                       | 0                                    | 01h                     | Block protected by nonvolatile protection bit and volatile protection bit; nonvolatile protection bit unchangeable. |

- Notes:
1. Nonvolatile protection bit lock bit: when cleared to 1, all nonvolatile protection bits are unlocked; when set to 0, all nonvolatile protection bits are locked.
  2. Block nonvolatile protection bit: when cleared to 1, the block is unprotected; when set to 0, the block is protected.
  3. Block volatile protection bit: when cleared to 1, the block is unprotected; when set to 0, the block is protected.

**Figure 7: Lock Register Program Flowchart**



- Notes: 1. Each lock register bit can be programmed only once.

2. See the Block Protection Command Definitions table for address-data cycle details.



## Standard Command Definitions – Address-Data Cycles

**Table 9: Standard Command Definitions – Address-Data Cycles, 8-Bit and 16-Bit**

Note 1 applies to entire table

| Command and Code/Subcode                      | Bus Size | Address and Data Cycles |    |          |      |          |      |          |        |     |    |     |   | Notes   |
|-----------------------------------------------|----------|-------------------------|----|----------|------|----------|------|----------|--------|-----|----|-----|---|---------|
|                                               |          | 1st                     |    | 2nd      |      | 3rd      |      | 4th      |        | 5th |    | 6th |   |         |
|                                               |          | A                       | D  | A        | D    | A        | D    | A        | D      | A   | D  | A   | D |         |
| <b>READ and AUTO SELECT Operations</b>        |          |                         |    |          |      |          |      |          |        |     |    |     |   |         |
| READ/RESET (F0h)                              | x8       | X                       | F0 |          |      |          |      |          |        |     |    |     |   |         |
|                                               |          | AAA                     | AA | 555      | 55   | X        | F0   |          |        |     |    |     |   |         |
|                                               | x16      | X                       | F0 |          |      |          |      |          |        |     |    |     |   |         |
|                                               |          | 555                     | AA | 2AA      | 55   | X        | F0   |          |        |     |    |     |   |         |
| READ CFI (98h)                                | x8       | AA                      | 98 |          |      |          |      |          |        |     |    |     |   |         |
|                                               | x16      | 55                      |    |          |      |          |      |          |        |     |    |     |   |         |
| AUTO SELECT (90h)                             | x8       | AAA                     | AA | 555      | 55   | AAA      | 90   | Note 2   | Note 2 |     |    |     |   | 2, 3, 4 |
|                                               | x16      | 555                     |    | 2AA      |      | 555      |      |          |        |     |    |     |   |         |
| <b>BYPASS Operations</b>                      |          |                         |    |          |      |          |      |          |        |     |    |     |   |         |
| UNLOCK BYPASS (20h)                           | x8       | AAA                     | AA | 555      | 55   | AAA      | 20   |          |        |     |    |     |   |         |
|                                               | x16      | 555                     |    | 2AA      |      | 555      |      |          |        |     |    |     |   |         |
| UNLOCK BYPASS RESET (90h/00h)                 | x8       | X                       | 90 | X        | 00   |          |      |          |        |     |    |     |   |         |
|                                               | x16      |                         |    |          |      |          |      |          |        |     |    |     |   |         |
| <b>PROGRAM Operations</b>                     |          |                         |    |          |      |          |      |          |        |     |    |     |   |         |
| PROGRAM (A0h)                                 | x8       | AAA                     | AA | 555      | 55   | AAA      | A0   | PA       | PD     |     |    |     |   |         |
|                                               | x16      | 555                     |    | 2AA      |      | 555      |      |          |        |     |    |     |   |         |
| UNLOCK BYPASS PROGRAM (A0h)                   | x8       | X                       | A0 | PA       | PD   |          |      |          |        |     |    | 5   |   |         |
|                                               | x16      |                         |    |          |      |          |      |          |        |     |    |     |   |         |
| WRITE TO BUFFER PROGRAM (25h)                 | x8       | AAA                     | AA | 555      | 55   | BAd      | 25   | BAd      | N      | PA  | PD |     |   | 6, 7, 8 |
|                                               | x16      | 555                     |    | 2AA      |      |          |      |          |        |     |    |     |   |         |
| UNLOCK BYPASS WRITE TO BUFFER PROGRAM (25h)   | x8       | BAd                     | 25 | BAd      | N    | PA       | PD   |          |        |     |    |     |   | 5       |
|                                               | x16      |                         |    |          |      |          |      |          |        |     |    |     |   |         |
| WRITE TO BUFFER PROGRAM CONFIRM (29h)         | x8       | BAd                     | 29 |          |      |          |      |          |        |     |    |     |   |         |
|                                               | x16      |                         |    |          |      |          |      |          |        |     |    |     |   |         |
| BUFFERED PROGRAM ABORT and RESET (F0h)        | x8       | AAA                     | AA | 555      | 55   | AAA      | F0   |          |        |     |    |     |   |         |
|                                               | x16      | 555                     |    | 2AA      |      | 555      |      |          |        |     |    |     |   |         |
| ENHANCED BUFFERED PROGRAM (33h)               | x8       | NA                      |    |          |      |          |      |          |        |     |    |     |   | 9       |
|                                               | x16      | 555                     | AA | 2AA      | 55   | 555      | 33   | BAd (00) | Data   |     |    |     |   |         |
| UNLOCK BYPASS ENHANCED BUFFERED PROGRAM (33h) | x8       | NA                      |    |          |      |          |      |          |        |     |    |     |   | 10      |
|                                               | x16      | BAd                     | 33 | BAd (00) | Data | BAd (01) | Data |          |        |     |    |     |   |         |



## 128Mb 3V Embedded Parallel NOR Flash Standard Command Definitions – Address-Data Cycles

**Table 9: Standard Command Definitions – Address-Data Cycles, 8-Bit and 16-Bit (Continued)**

Note 1 applies to entire table

| Command and Code/Subcode                | Bus Size | Address and Data Cycles |    |     |    |     |    |     |    |     |    |     |    | Notes |
|-----------------------------------------|----------|-------------------------|----|-----|----|-----|----|-----|----|-----|----|-----|----|-------|
|                                         |          | 1st                     |    | 2nd |    | 3rd |    | 4th |    | 5th |    | 6th |    |       |
|                                         |          | A                       | D  | A   | D  | A   | D  | A   | D  | A   | D  | A   | D  |       |
| ENHANCED BUFFERED PROGRAM CONFIRM (29h) | x8       | NA                      |    |     |    |     |    |     |    |     |    |     |    |       |
|                                         | x16      | BAd (00)                | 29 |     |    |     |    |     |    |     |    |     |    |       |
| ENHANCED BUFFERED PROGRAM ABORT (F0h)   | x8       | NA                      |    |     |    |     |    |     |    |     |    |     |    |       |
|                                         | x16      | 555                     | AA | 2AA | 55 | 555 | F0 |     |    |     |    |     |    |       |
| PROGRAM SUSPEND (B0h)                   | x8       | X                       | B0 |     |    |     |    |     |    |     |    |     |    |       |
|                                         | x16      |                         |    |     |    |     |    |     |    |     |    |     |    |       |
| PROGRAM RESUME (30h)                    | x8       | X                       | 30 |     |    |     |    |     |    |     |    |     |    |       |
|                                         | x16      |                         |    |     |    |     |    |     |    |     |    |     |    |       |
| <b>ERASE Operations</b>                 |          |                         |    |     |    |     |    |     |    |     |    |     |    |       |
| CHIP ERASE (80/10h)                     | x8       | AAA                     | AA | 555 | 55 | AAA | 80 | AAA | AA | 555 | 55 | AAA | 10 |       |
|                                         | x16      | 555                     |    | 2AA |    | 555 |    | 555 |    | 2AA |    | 555 |    |       |
| UNLOCK BYPASS CHIP ERASE (80/10h)       | x8       | X                       | 80 | X   | 10 |     |    |     |    |     |    |     |    | 5     |
|                                         | x16      |                         |    |     |    |     |    |     |    |     |    |     |    |       |
| BLOCK ERASE (80/30h)                    | x8       | AAA                     | AA | 555 | 55 | AAA | 80 | AAA | AA | 555 | 55 | BAd | 30 | 11    |
|                                         | x16      | 555                     |    | 2AA |    | 555 |    | 555 |    | 2AA |    |     |    |       |
| UNLOCK BYPASS BLOCK ERASE (80/30h)      | x8       | X                       | 80 | BAd | 30 |     |    |     |    |     |    |     |    | 5     |
|                                         | x16      |                         |    |     |    |     |    |     |    |     |    |     |    |       |
| ERASE SUSPEND (B0h)                     | x8       | X                       | B0 |     |    |     |    |     |    |     |    |     |    |       |
|                                         | x16      |                         |    |     |    |     |    |     |    |     |    |     |    |       |
| ERASE RESUME (30h)                      | x8       | X                       | 30 |     |    |     |    |     |    |     |    |     |    |       |
|                                         | x16      |                         |    |     |    |     |    |     |    |     |    |     |    |       |

- Notes:
1. A = Address; D = Data; X = "Don't Care"; BAd = Any address in the block; N = Number of bytes to be programmed; PA = Program address; PD = Program data; Gray shading = Not applicable. All values in the table are hexadecimal. Some commands require both a command code and subcode.
  2. These cells represent READ cycles (versus WRITE cycles for the others).
  3. AUTO SELECT enables the device to read the manufacturer code, device code, block protection status, and extended memory block protection indicator.
  4. AUTO SELECT addresses and data are specified in the Electronic Signature table and the Extended Memory Block Protection table.
  5. For any UNLOCK BYPASS ERASE/PROGRAM command, the first two UNLOCK cycles are unnecessary.
  6. BAd must be the same as the address loaded during the WRITE TO BUFFER PROGRAM 3rd and 4th cycles.
  7. WRITE TO BUFFER PROGRAM operation: maximum cycles = 68(x8) and 36 (x16). UNLOCK BYPASS WRITE TO BUFFER PROGRAM operation: maximum cycles = 66 (x8), 34 (x16).

WRITE TO BUFFER PROGRAM operation:  $N + 1$  = bytes to be programmed; maximum buffer size = 64 bytes (x8) and 32 words (x16).

8. For x8, A[ $MAX:5$ ] address pins should remain unchanged while A[4:0] and A-1 pins are used to select a byte within the  $N + 1$  byte page. For x16, A[ $MAX:5$ ] address pins should remain unchanged while A[4:0] pins are used to select a word within the  $N + 1$  word page.
9. The following is content for address-data cycles 258 through 259: BAd (FE) - Data; BAd (FF) - Data.
10. The following is content for address-data cycles 256 through 257: BAd (FE) - Data; BAd (FF) - Data.
11. BLOCK ERASE address cycles can extend beyond six address-data cycles, depending on the number of blocks to erase.

## READ Operations

### READ/RESET Command

The READ/RESET (F0h) command returns the device to read mode and resets the errors in the status register. One or three bus WRITE operations can be used to issue the READ/RESET command.

To return the device to read mode, this command can be issued between bus WRITE cycles before the start of a PROGRAM or ERASE operation. If the READ/RESET command is issued during the timeout of a BLOCK ERASE operation, the device requires up to 10 $\mu$ s to abort, during which time no valid data can be read.

### READ CFI Command

The READ CFI (98h) command puts the device in read CFI mode and is valid only when the device is in read array or auto select mode. One bus WRITE cycle is required to issue the command.

Once in read CFI mode, bus READ operations will output data from the CFI memory area. A READ/RESET command must be issued to return the device to the previous mode (read array or auto select). A second READ/RESET command is required to put the device in read array mode from auto select mode.



## AUTO SELECT Operations

### AUTO SELECT Command

At power-up or after a hardware reset, the device is in read mode. It can then be put in auto select mode by issuing an AUTO SELECT (90h) command or by applying  $V_{ID}$  to A9. Auto select mode enables the following device information to be read:

- Electronic signature, which includes manufacturer and device code information, as shown in the Electronic Signature table.
- Block protection, which includes the block protection status and extended memory block protection indicator, as shown in the Block Protection table.

Electronic signature or block protection information is read by executing a READ operation with control signals and addresses set, as shown in the Read Electronic Signature table or the Block Protection table, respectively.

Auto select mode can be used by the programming equipment to automatically match a device with the application code to be programmed.

Three consecutive bus WRITE operations are required to issue an AUTO SELECT command. The device remains in auto select mode until a READ/RESET or READ CFI command is issued.

The device cannot enter auto select mode when a PROGRAM or ERASE operation is in progress (RY/BY# LOW). However, auto select mode can be entered if the PROGRAM or ERASE operation has been suspended by issuing a PROGRAM SUSPEND or ERASE SUSPEND command.

To enter auto select mode by applying  $V_{ID}$  to A9, see the Read Electronic Signature table and the Block Protection table.

Auto select mode is exited by performing a reset. The device returns to read mode unless it entered auto select mode after an ERASE SUSPEND or PROGRAM SUSPEND command, in which case it returns to erase or program suspend mode.

**Table 10: Read Electronic Signature**

Note 1 applies to entire table

| Signal                                 | READ Cycle        |               |               |               | Notes |
|----------------------------------------|-------------------|---------------|---------------|---------------|-------|
|                                        | Manufacturer Code | Device Code 1 | Device Code 3 | Device Code 3 |       |
| CE#                                    | L                 | L             | L             | L             |       |
| OE#                                    | L                 | L             | L             | L             |       |
| WE#                                    | H                 | H             | H             | H             |       |
| <b>Address Input, 8-Bit and 16-Bit</b> |                   |               |               |               |       |
| A[MAX:10]                              | X                 | X             | X             | X             |       |
| A9                                     | $V_{ID}$          | $V_{ID}$      | $V_{ID}$      | $V_{ID}$      | 2     |
| A8                                     | X                 | X             | X             | X             |       |
| A[7:5]                                 | L                 | L             | L             | L             |       |
| A4                                     | X                 | X             | X             | X             |       |
| A[3:1]                                 | L                 | L             | H             | H             |       |

**Table 10: Read Electronic Signature (Continued)**

Note 1 applies to entire table

| Signal                           | READ Cycle        |               |               |               | Notes |
|----------------------------------|-------------------|---------------|---------------|---------------|-------|
|                                  | Manufacturer Code | Device Code 1 | Device Code 3 | Device Code 3 |       |
| A0                               | L                 | H             | L             | H             |       |
| <b>Address Input, 8-Bit Only</b> |                   |               |               |               |       |
| DQ[15]/A-1                       | X                 | X             | X             | X             |       |
| <b>Data I/O, 8-Bit Only</b>      |                   |               |               |               |       |
| DQ[14:8]                         | X                 | X             | X             | X             |       |
| DQ[7:0]                          | 20h               | 7Eh           | 21h           | XX            |       |
| <b>Data I/O, 16-Bit Only</b>     |                   |               |               |               |       |
| DQ[15]/A-1, and DQ[14:0]         | 0020h             | 227Eh         | 2221h         | XXXX          |       |

- Notes:
1. H = Logic level HIGH ( $V_{IH}$ ); L = Logic level LOW ( $V_{IL}$ ); X = HIGH or LOW.
  2. When using the AUTO SELECT command to enter auto select mode, applying  $V_{ID}$  to A9 is not required. A9 can be either  $V_{IL}$  or  $V_{IH}$ .
  3. XX = 01h for M29W128GH and 00h for M29W128GL.
  4. XXXX = 2201h for M29W128GH and 2200h for M29W128GL.

**Table 11: Block Protection**

Note 1 applies to entire table

| Signal                                 | READ Cycle                                  |                                             |                                   | Notes |
|----------------------------------------|---------------------------------------------|---------------------------------------------|-----------------------------------|-------|
|                                        | Extended Memory Block Verify Indicator (GL) | Extended Memory Block Verify Indicator (GH) | Block Protection Status Indicator |       |
| CE#                                    | L                                           | L                                           | L                                 |       |
| OE#                                    | L                                           | L                                           | L                                 |       |
| WE#                                    | H                                           | H                                           | H                                 |       |
| <b>Address Input, 8-Bit and 16-Bit</b> |                                             |                                             |                                   |       |
| A[MAX:16]                              | X                                           | X                                           | Block base address                |       |
| A[15:10]                               | X                                           | X                                           | X                                 |       |
| A9                                     | V <sub>ID</sub>                             | V <sub>ID</sub>                             | V <sub>ID</sub>                   | 2     |
| A8                                     | X                                           | X                                           | X                                 |       |
| A[7:5]                                 | L                                           | L                                           | L                                 |       |
| A4                                     | X                                           | X                                           | X                                 |       |
| A[3:2]                                 | L                                           | L                                           | L                                 |       |
| A1                                     | H                                           | H                                           | H                                 |       |
| A0                                     | H                                           | H                                           | L                                 |       |
| <b>Address Input, 8-Bit Only</b>       |                                             |                                             |                                   |       |
| DQ[15]/A-1                             | X                                           | X                                           | X                                 |       |
| <b>Data I/O, 8-Bit Only</b>            |                                             |                                             |                                   |       |
| DQ[14:8]                               | X                                           | X                                           | X                                 |       |
| DQ[7:0]                                | 89h                                         | 99h                                         | 01h                               | 3, 5  |
|                                        | 09h                                         | 19h                                         | 00h                               | 4, 6  |
| <b>Data I/O, 16-Bit Only</b>           |                                             |                                             |                                   |       |
| DQ[15]/A-1, and DQ[14:0]               | 0089h                                       | 0099h                                       | 0001h                             | 3, 5  |
|                                        | 0009h                                       | 0019h                                       | 0000h                             | 4, 6  |

- Notes:
1. Read cycle output to DQ7 = Extended memory block protection indicator; GH = High block protection; GL = Low block protection; BPS = Block protection status; H = Logic level HIGH (V<sub>IH</sub>); L = Logic level LOW (V<sub>IL</sub>); X = HIGH or LOW.
  2. When using the AUTO SELECT command to enter auto select mode, applying V<sub>ID</sub> to A9 is not required. A9 can be either V<sub>IL</sub> or V<sub>IH</sub>.
  3. Extended memory blocks are Micron-protected (permanent).
  4. Extended memory blocks are customer-lockable.
  5. Block protection status = protected: 01h (in x8 mode) is output on DQ[7:0].
  6. Block protection status = unprotected: 00h (in x8 mode) is output on DQ[7:0].

## Bypass Operations

### UNLOCK BYPASS Command

The UNLOCK BYPASS (20h) command is used to place the device in unlock bypass mode. Three bus WRITE operations are required to issue the UNLOCK BYPASS command.

When the device enters unlock bypass mode, the two initial UNLOCK cycles required for a standard PROGRAM or ERASE operation are not needed, thus enabling faster total program or erase time.

The UNLOCK BYPASS command is used in conjunction with UNLOCK BYPASS PROGRAM or UNLOCK BYPASS ERASE commands to program or erase the device faster than with standard PROGRAM or ERASE commands. Using these commands can save considerable time when the cycle time to the device is long. When in unlock bypass mode, only the following commands are valid:

- The UNLOCK BYPASS PROGRAM command can be issued to program addresses within the device.
- The UNLOCK BYPASS BLOCK ERASE command can then be issued to erase one or more memory blocks.
- The UNLOCK BYPASS CHIP ERASE command can be issued to erase the whole memory array.
- The UNLOCK BYPASS WRITE TO BUFFER PROGRAM and UNLOCK BYPASS ENHANCED WRITE TO BUFFER PROGRAM commands can be issued to speed up the programming operation.
- The UNLOCK BYPASS RESET command can be issued to return the device to read mode.

In unlock bypass mode, the device can be read as if in read mode.

In addition to the UNLOCK BYPASS command, when  $V_{PP}/WP\#$  is raised to  $V_{PPH}$ , the device automatically enters unlock bypass mode. When  $V_{PP}/WP\#$  returns to  $V_{IH}$  or  $V_{IL}$ , the device is no longer in unlock bypass mode, and normal operation resumes. The transitions from  $V_{IH}$  to  $V_{PPH}$  and from  $V_{PPH}$  to  $V_{IH}$  must be slower than  $t_{VHVPP}$ . (See the Accelerated Program, Data Polling/Toggle AC Characteristics.)

**Note:** Micron recommends entering and exiting unlock bypass mode using the ENTER UNLOCK BYPASS and UNLOCK BYPASS RESET commands rather than raising  $V_{PP}/WP\#$  to  $V_{PPH}$ .  $V_{PP}/WP\#$  should never be raised to  $V_{PPH}$  from any mode except read mode; otherwise, the device may be left in an indeterminate state.  $V_{PP}/WP\#$  should not remain at  $V_{PPH}$  for than 80 hours cumulative.

### UNLOCK BYPASS RESET Command

The UNLOCK BYPASS RESET (90/00h) command is used to return to read/reset mode from unlock bypass mode. Two bus WRITE operations are required to issue the UNLOCK BYPASS RESET command. The READ/RESET command does not exit from unlock bypass mode.

## Program Operations

### PROGRAM Command

The PROGRAM (A0h) command can be used to program a value to one address in the memory array. The command requires four bus WRITE operations, and the final WRITE operation latches the address and data in the internal state machine and starts the program/erase controller. After programming has started, bus READ operations output the status register content.

Programming can be suspended and then resumed by issuing a PROGRAM SUSPEND command and a PROGRAM RESUME command, respectively.

If the address falls in a protected block, the PROGRAM command is ignored, and the data remains unchanged. The status register is not read, and no error condition is given.

After the PROGRAM operation has completed, the device returns to read mode, unless an error has occurred. When an error occurs, bus READ operations to the device continue to output the status register. A READ/RESET command must be issued to reset the error condition and return the device to read mode.

The PROGRAM command cannot change a bit set to 0 back to 1, and an attempt to do so is masked during a PROGRAM operation. Instead, an ERASE command must be used to set all bits in one memory block or in the entire memory from 0 to 1.

The PROGRAM operation is aborted by performing a reset or by powering-down the device. In this case, data integrity cannot be ensured, and it is recommended that the words or bytes that were aborted be reprogrammed.

### UNLOCK BYPASS PROGRAM Command

When the device is in unlock bypass mode, the UNLOCK BYPASS PROGRAM (A0h) command can be used to program one address in the memory array. The command requires two bus WRITE operations instead of four required by a standard PROGRAM command; the final WRITE operation latches the address and data and starts the program/erase controller (The standard PROGRAM command requires four bus WRITE operations). The PROGRAM operation using the UNLOCK BYPASS PROGRAM command behaves identically to the PROGRAM operation using the PROGRAM command. The operation cannot be aborted. A bus READ operation to the memory outputs the status register.

### WRITE TO BUFFER PROGRAM Command

The WRITE TO BUFFER PROGRAM (25h) command makes use of the 32-word program buffer to speed up programming. A maximum of 32 words can be loaded into the program buffer. The WRITE TO BUFFER PROGRAM command dramatically reduces system programming time compared to the standard non-buffered PROGRAM command.

When issuing a WRITE TO BUFFER PROGRAM command,  $V_{pp}/WP\#$  can be either held HIGH or raised to  $V_{ppH}$ . Also, it can be held LOW if the block is not the lowest or highest block, depending on the part number. The following successive steps are required to issue the WRITE TO BUFFER PROGRAM command:

First, two UNLOCK cycles are issued. Next, a third bus WRITE cycle sets up the WRITE TO BUFFER PROGRAM command. The set-up code can be addressed to any location

within the targeted block. Then, a fourth bus WRITE cycle sets up the number of words/bytes to be programmed. Value  $n$  is written to the same block address, where  $n + 1$  is the number of words/bytes to be programmed. Value  $n + 1$  must not exceed the size of the program buffer, or the operation will abort. A fifth cycle loads the first address and data to be programmed. Last,  $n$  bus WRITE cycles load the address and data for each word/byte into the program buffer. Addresses must lie within the range from *the start address + 1* to *the start address + (n - 1)*.

Optimum programming performance and lower power usage are achieved by aligning the starting address at the beginning of a 32-word boundary. Any buffer size smaller than 32 words is allowed within a 32-word boundary, while all addresses used in the operation must lie within the 32-word boundary. In addition, any crossing boundary buffer program will result in a program abort.

To program the content of the program buffer, this command must be followed by a WRITE TO BUFFER PROGRAM CONFIRM command.

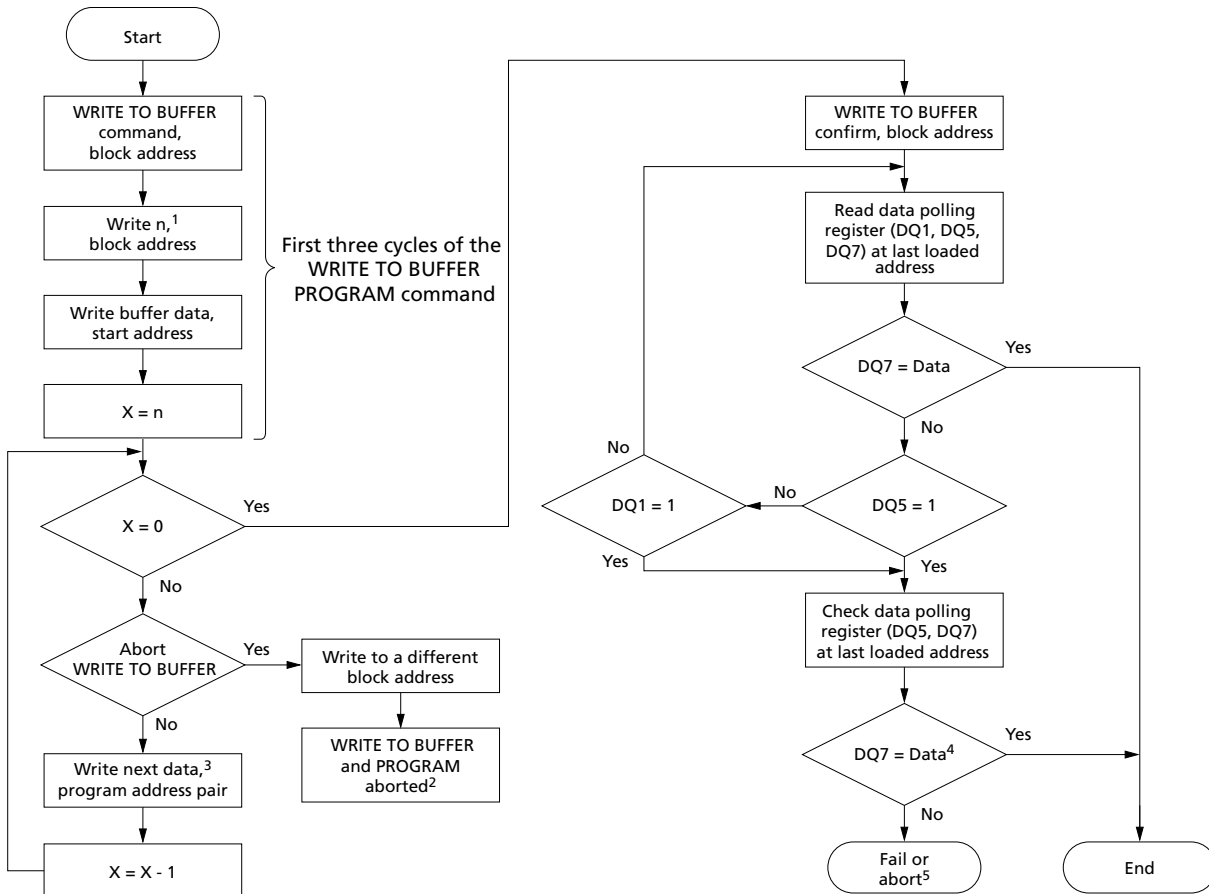
If an address is written several times during a WRITE TO BUFFER PROGRAM operation, the address/data counter will be decremented at each data load operation, and the data will be programmed to the last word loaded into the buffer.

Invalid address combinations or the incorrect sequence of bus WRITE cycles will abort the WRITE TO BUFFER PROGRAM command.

The status register bits DQ1, DQ5, DQ6, DQ7 can be used to monitor the device status during a WRITE TO BUFFER PROGRAM operation.

The WRITE BUFFER PROGRAM command should not be used to change a bit set to 0 back to 1, and an attempt to do so is masked during the operation. Rather than the WRITE BUFFER PROGRAM command, the ERASE command should be used to set memory bits from 0 to 1.

**Figure 8: WRITE TO BUFFER PROGRAM Flowchart**



- Notes:
1.  $n + 1$  is the number of addresses to be programmed.
  2. The BUFFERED PROGRAM ABORT and RESET command must be issued to return the device to read mode.
  3. When the block address is specified, any address in the selected block address space is acceptable. However, when loading program buffer address with data, all addresses must fall within the selected program buffer page.
  4. DQ7 must be checked because DQ5 and DQ7 may change simultaneously.
  5. If this flowchart location is reached because  $DQ5 = 1$ , then the WRITE TO BUFFER PROGRAM command failed. If this flowchart location is reached because  $DQ1 = 1$ , then the WRITE TO BUFFER PROGRAM command aborted. In both cases, the appropriate RESET command must be issued to return the device to read mode: A RESET command if the operation failed; a WRITE TO BUFFER PROGRAM ABORT AND RESET command if the operation aborted.
  6. See the Standard Command Definitions – Address-Data Cycles, 8-Bit and 16-Bit table for details about the WRITE TO BUFFER PROGRAM command sequence.

## UNLOCK BYPASS WRITE TO BUFFER PROGRAM Command

When the device is in unlock bypass mode, the UNLOCK BYPASS WRITE TO BUFFER (25h) command can be used to program the device in fast program mode. The command requires two bus WRITE operations fewer than the standard WRITE TO BUFFER PROGRAM command.

The UNLOCK BYPASS WRITE TO BUFFER PROGRAM command behaves the same way as the WRITE TO BUFFER PROGRAM command: the operation cannot be aborted, and a bus READ operation to the memory outputs the status register.

The WRITE TO BUFFER PROGRAM CONFIRM command is used to confirm an UNLOCK BYPASS WRITE TO BUFFER PROGRAM command and to program the  $n + 1$  words/bytes loaded in the program buffer by this command.

## WRITE TO BUFFER PROGRAM CONFIRM Command

The WRITE TO BUFFER PROGRAM CONFIRM (29h) command is used to confirm a WRITE TO BUFFER PROGRAM command and to program the  $n + 1$  words/bytes loaded in the program buffer by this command.

## BUFFERED PROGRAM ABORT AND RESET Command

A BUFFERED PROGRAM ABORT AND RESET (F0h) command must be issued to abort the WRITE TO BUFFER PROGRAM and ENHANCED BUFFERED PROGRAM operations and reset the device in read mode. The buffer programming sequence can be aborted in the following ways:

- Load a value that is greater than the page buffer size during the number of locations to program in the WRITE TO BUFFER PROGRAM command.
- Write to an address in a different block than the one specified during the WRITE BUFFER LOAD command.
- Write an address/data pair to a different write buffer page than the one selected by the starting address during the program buffer data loading stage of the operation.
- Write data other than the CONFIRM command after the specified number of data load cycles.

The abort condition is indicated by  $DQ1 = 1$ ,  $DQ7 = DQ7\#$  (for the last address location loaded),  $DQ6 = \text{toggle}$ , and  $DQ5 = 0$  (all of which are status register bits). A BUFFERED PROGRAM ABORT and RESET command sequence must be written to reset the device for the next operation.

**Note:** The full three-cycle BUFFERED PROGRAM ABORT and RESET command sequence is required when using buffer programming features in unlock bypass mode.

## PROGRAM SUSPEND Command

The PROGRAM SUSPEND (B0h) command can be used to interrupt a program operation so that data can be read from any block. When the PROGRAM SUSPEND command is issued during a program operation, the device suspends the operation within the program suspend latency time and updates the status register bits.

After the program operation has been suspended, data can be read from any address. However, data is invalid when read from an address where a program operation has been suspended.



The PROGRAM SUSPEND command may also be issued during a PROGRAM operation while an erase is suspended. In this case, data may be read from any address not in erase suspend or program suspend mode. To read from the extended memory block area (one-time programmable area), the ENTER/EXIT EXTENDED MEMORY BLOCK command sequences must be issued.

The system may also issue the AUTO SELECT command sequence when the device is in program suspend mode. The system can read as many auto select codes as required. When the device exits auto select mode, the device reverts to program suspend mode and is ready for another valid operation.

The PROGRAM SUSPEND operation is aborted by performing a device reset or power-down. In this case, data integrity cannot be ensured, and it is recommended that the words or bytes that were aborted be reprogrammed.

### PROGRAM RESUME Command

The PROGRAM RESUME (30h) command must be issued to exit a program suspend mode and resume a PROGRAM operation. The controller can use DQ7 or DQ6 status bits to determine the status of the PROGRAM operation. After a PROGRAM RESUME command is issued, subsequent PROGRAM RESUME commands are ignored. Another PROGRAM SUSPEND command can be issued after the device has resumed programming.

### ENHANCED BUFFERED PROGRAM Command

The ENHANCED BUFFERED PROGRAM command (x16 only) makes use of a 256-word write buffer to speed up programming. Each write buffer has the same A22-A8 addresses. This command dramatically reduces system programming time compared to both the standard non-buffered PROGRAM command and the WRITE TO BUFFER command.

When issuing the ENHANCED BUFFERED PROGRAM command, the  $V_{PP}/WP$  pin can be held HIGH or raised to  $V_{PPH}$  (see Program/Erase Characteristics). The following successive steps are required to issue the ENHANCED BUFFERED PROGRAM command:

The ENHANCED BUFFERED PROGRAM command begins with two unlock cycles, followed by one bus write cycle that sets up the command. The setup code can be addressed to any location within the targeted block. Next, another bus write cycle loads the first address and data to be programmed. There a total of 256 address and data loading cycles. To program the content of the write buffer, the ENHANCED BUFFERED PROGRAM command must be followed by an ENHANCED BUFFERED PROGRAM CONFIRM command. The command ends with an internal enhanced buffered program confirm cycle.

Address/data cycles must be loaded in an increasing address order, from  $A[7:0] = 00000000$  to  $A[7:0] = 11111111$  until all 256 words are loaded. Invalid address combinations or the incorrect sequence of bus WRITE cycles will abort the WRITE TO BUFFER PROGRAM command.

The status register bits DQ1, DQ5, DQ6, DQ7 can be used to monitor the device status during a WRITE TO BUFFER PROGRAM operation.

An external 12V supply can be used to improve programming efficiency.

When reprogramming data in a portion of memory already programmed (changing programmed data from '0' to '1') operation failure can be detected by a logical OR between the previous and the current value.

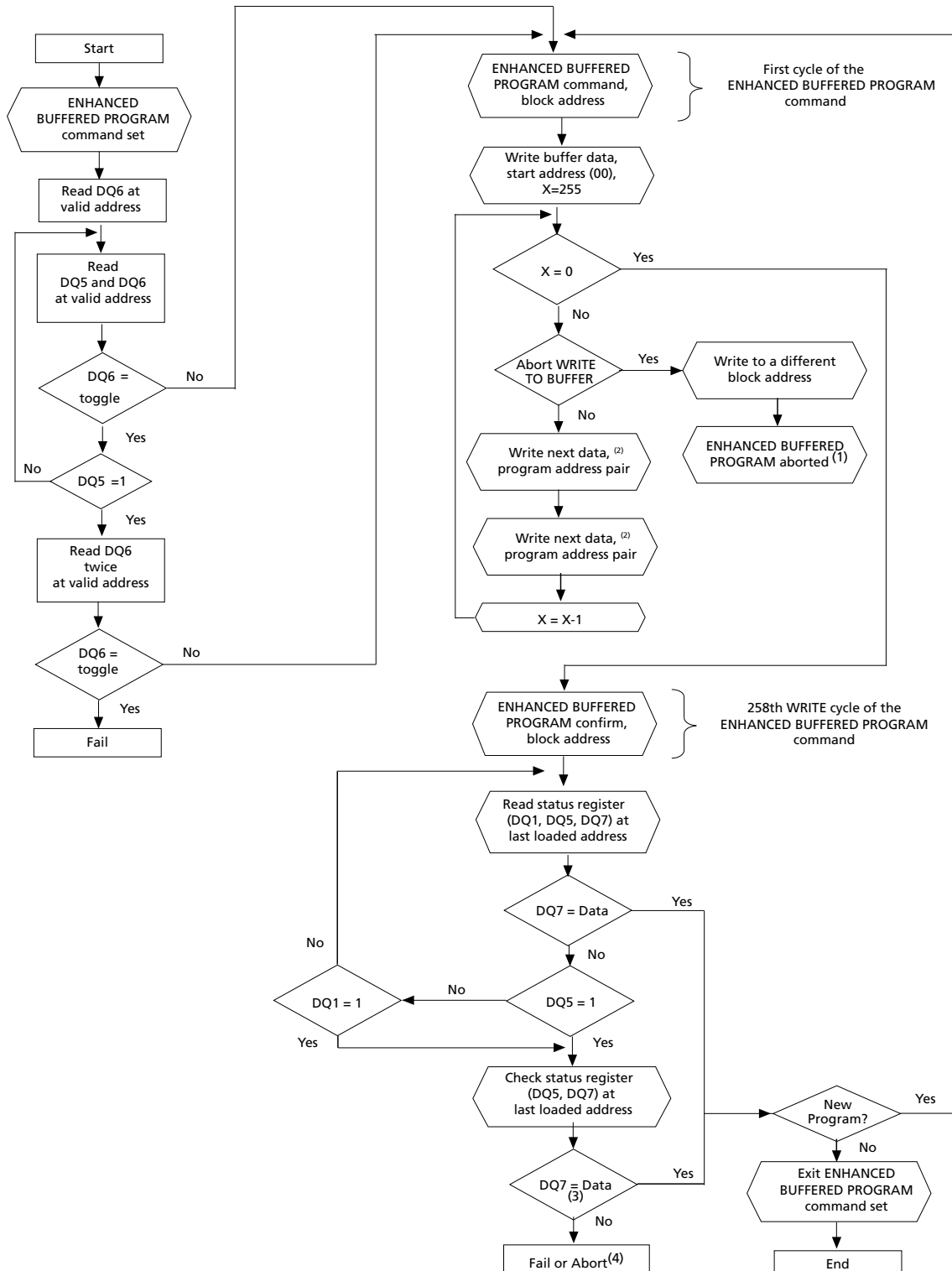
### **UNLOCK BYPASS ENHANCED BUFFERED PROGRAM Command**

The UNLOCK BYPASS ENHANCED BUFFERED PROGRAM command can be used to program the memory in fast program mode. The command requires two less address/data loading cycles than the standard ENHANCED BUFFERED PROGRAM command. Otherwise, the two operations behave identically. The operation cannot be aborted and a READ operation to the memory outputs the status register. The ENHANCED BUFFERED PROGRAM CONFIRM command confirms the command and programs the 256 words loaded in the buffer.

### **ENHANCED BUFFERED PROGRAM CONFIRM Command**

The ENHANCED BUFFERED PROGRAM CONFIRM command is used to confirm the two ENHANCED BUFFERED PROGRAM CONFIRM commands and to program the 256 words loaded in the buffer.

**Figure 9: ENHANCED BUFFERED PROGRAM Flowchart**



Notes: 1. The BUFFERED PROGRAM ABORT AND RESET command must be issued to return the device to read mode.

2. When the block address is specified, all addresses in the selected block address space must be issued starting from 00h. Furthermore, when loading the write buffer address with data, data program addresses must be consecutive.
3. DQ7 must be checked since DQ5 and DQ7 may change simultaneously.
4. If this flowchart location is reached because DQ5 = 1, then the ENHANCED WRITE TO BUFFER PROGRAM command failed. If this flowchart location is reached because DQ1 = 1, then the ENHANCED WRITE TO BUFFER PROGRAM command aborted. In both cases, the appropriate RESET command must be issued to return the device to read mode: A RESET command if the operation failed; a WRITE TO BUFFER PROGRAM ABORT AND RESET command if the operation aborted.

## Erase Operations

### CHIP ERASE Command

The CHIP ERASE (80/10h) command erases the entire chip. Six bus WRITE operations are required to issue the command and start the program/erase controller.

Protected blocks are not erased. If all blocks are protected, the CHIP ERASE operation appears to start, but will terminate within approximately 100µs, leaving the data unchanged. No error is reported when protected blocks are not erased.

During the CHIP ERASE operation, the device ignores all other commands, including ERASE SUSPEND. It is not possible to abort the operation. All bus READ operations during CHIP ERASE output the status register on the data I/Os. (See the Status Register section for more details.)

After the CHIP ERASE operation completes, the device returns to read mode, unless an error has occurred. If an error occurs, the device will continue to output the status register. A READ/RESET command must be issued to reset the error condition and return to read mode.

The CHIP ERASE command sets all of the bits in unprotected blocks of the device to 1. All previous data is lost.

The operation is aborted by performing a reset or by powering-down the device. In this case, data integrity cannot be ensured, and the entire chip should be erased again.

### UNLOCK BYPASS CHIP ERASE Command

When the device is in unlock bypass mode, the UNLOCK BYPASS CHIP ERASE (80/10h) command can be used to erase all memory blocks at one time. The command requires only two bus WRITE operations instead of six using the standard CHIP ERASE command. The final bus WRITE operation starts the program/erase controller.

The UNLOCK BYPASS CHIP ERASE command behaves the same way as the CHIP ERASE command: the operation cannot be aborted, and a bus READ operation to the memory outputs the status register.

### BLOCK ERASE Command

The BLOCK ERASE (80/30h) command erases a list of one or more blocks. It sets all of the bits in the unprotected selected blocks to 1. All previous data in the selected blocks is lost.

Six bus WRITE operations are required to select the first block in the list. Each additional block in the list can be selected by repeating the sixth bus WRITE operation using the address of the additional block. After the command sequence is written, a block erase timeout occurs. During the timeout period, additional block addresses and BLOCK ERASE commands can be written. After the program/erase controller has started, it is not possible to select any more blocks. Each additional block must therefore be selected within the timeout period of the last block. The timeout timer restarts when an additional block is selected. After the sixth bus WRITE operation, a bus READ operation outputs the status register. (See the WE#-Controlled Program waveforms for details on how to identify if the program/erase controller has started the BLOCK ERASE operation.)

After the BLOCK ERASE operation completes, the device returns to read mode, unless an error has occurred. If an error occurs, bus READ operations will continue to output the status register. A READ/RESET command must be issued to reset the error condition and return to read mode.

If any selected blocks are protected, they are ignored, and all the other selected blocks are erased. If all the selected blocks are protected, the BLOCK ERASE operation appears to start, but will terminate within approximately 100µs, leaving the data unchanged. No error condition is given when protected blocks are not erased.

During the BLOCK ERASE operation, the device ignores all commands except the ERASE SUSPEND command and the READ/RESET command, which is accepted only during the timeout period. The operation is aborted by performing a reset or powering-down the device. In this case, data integrity cannot be ensured, and the aborted blocks should be erased again.

### UNLOCK BYPASS BLOCK ERASE Command

When the device is in unlock bypass mode, the UNLOCK BYPASS BLOCK ERASE (80/30h) command can be used to erase one or more memory blocks at a time. The command requires two bus WRITE operations instead of six using the standard BLOCK ERASE command. The final bus WRITE operation latches the address of the block and starts the program/erase controller.

To erase multiple blocks (after the first two bus WRITE operations have selected the first block in the list), each additional block in the list can be selected by repeating the second bus WRITE operation using the address of the additional block.

The UNLOCK BYPASS BLOCK ERASE command behaves the same way as the BLOCK ERASE command: the operation cannot be aborted, and a bus READ operation to the memory outputs the status register. (See the BLOCK ERASE Command section for details.)

### ERASE SUSPEND Command

The ERASE SUSPEND (B0h) command temporarily suspends a BLOCK ERASE operation. One bus WRITE operation is required to issue the command. The block address is "Don't Care."

The program/erase controller suspends the ERASE operation within the erase suspend latency time of the ERASE SUSPEND command being issued. However, when the ERASE SUSPEND command is written during the block erase timeout, the device immediately terminates the timeout period and suspends the ERASE operation. After the program/erase controller has stopped, the device operates in read mode, and the erase is suspended.

During an ERASE SUSPEND operation, it is possible to read and execute PROGRAM operations or WRITE TO BUFFER PROGRAM operations in blocks that are not suspended. Both READ and PROGRAM operations behave normally on these blocks. Reading from blocks that are suspended will output the status register. If any attempt is made to program in a protected block or in the suspended block, the PROGRAM command is ignored, and the data remains unchanged. In this case, the status register is not read, and no error condition is given.

It is also possible to issue AUTO SELECT and UNLOCK BYPASS commands during an ERASE SUSPEND operation. The READ/RESET command must be issued to return the device to read array mode before the RESUME command will be accepted.

During an ERASE SUSPEND operation, a bus READ operation to the extended memory block will output the extended memory block data. After the device enters extended memory block mode, the EXIT EXTENDED MEMORY BLOCK command must be issued before the ERASE operation can be resumed.

An ERASE SUSPEND command is ignored if it is written during a CHIP ERASE operation.

If the ERASE SUSPEND operation is aborted by performing a device reset or power-down, data integrity cannot be ensured, and the suspended blocks should be erased again.

### **ERASE RESUME Command**

The ERASE RESUME (30h) command restarts the program/erase controller after an ERASE SUSPEND operation.

The device must be in read array mode before the RESUME command will be accepted. An erase can be suspended and resumed more than once.



## Block Protection Command Definitions – Address-Data Cycles

**Table 12: Block Protection Command Definitions – Address-Data Cycles, 8-Bit and 16-Bit**

Notes 1 and 2 apply to entire table

| Command and Code/Subcode                                    | Bus Size | Address and Data Cycles |         |      |      |     |      |     |      |     |          |      | Notes      |
|-------------------------------------------------------------|----------|-------------------------|---------|------|------|-----|------|-----|------|-----|----------|------|------------|
|                                                             |          | 1st                     |         | 2nd  |      | 3rd |      | 4th |      | nth |          |      |            |
|                                                             |          | A                       | D       | A    | D    | A   | D    | A   | D    | ... | A        | D    |            |
| <b>LOCK REGISTER Commands</b>                               |          |                         |         |      |      |     |      |     |      |     |          |      |            |
| ENTER LOCK REGISTER COMMAND SET (40h)                       | x8       | AAA                     | AA      | 555  | 55   | AAA | 40   |     |      |     |          |      | 3          |
|                                                             | x16      | 555                     | AA      | 2AA  | 55   | 555 |      |     |      |     |          |      |            |
| PROGRAM LOCK REGISTER (A0h)                                 | x8       | X                       | A0      | X    | Data |     |      |     |      |     | 5        |      |            |
|                                                             | x16      |                         |         |      |      |     |      |     |      |     |          |      |            |
| READ LOCK REGISTER                                          | x8       | X                       | Data    |      |      |     |      |     |      |     | 4, 5, 6  |      |            |
|                                                             | x16      |                         |         |      |      |     |      |     |      |     |          |      |            |
| <b>PASSWORD PROTECTION Commands</b>                         |          |                         |         |      |      |     |      |     |      |     |          |      |            |
| ENTER PASSWORD PROTECTION COMMAND SET (60h)                 | x8       | AAA                     | AA      | 555  | 55   | AAA | 60   |     |      |     |          |      | 3          |
|                                                             | x16      | 555                     | AA      | 2AA  | 55   | 555 |      |     |      |     |          |      |            |
| PROGRAM PASSWORD (A0h)                                      | x8       | X                       | A0      | PWAn | PWDn |     |      |     |      |     | 7        |      |            |
|                                                             | x16      |                         |         |      |      |     |      |     |      |     |          |      |            |
| READ PASSWORD                                               | x8       | 00                      | PWD0    | 01   | PWD1 | 02  | PWD2 | 03  | PWD3 | ... | 07       | PWD7 | 4, 6, 8, 9 |
|                                                             | x16      | 00                      | PWD0    | 01   | PWD1 | 02  | PWD2 | 03  | PWD3 |     |          |      |            |
| UNLOCK PASSWORD (25h/03)                                    | x8       | 00                      | 25      | 00   | 03   | 00  | PWD0 | 01  | PWD1 | ... | 00       | 29   | 8, 10      |
|                                                             | x16      |                         |         |      |      |     |      |     |      |     |          |      |            |
| <b>NONVOLATILE PROTECTION Commands</b>                      |          |                         |         |      |      |     |      |     |      |     |          |      |            |
| ENTER NONVOLATILE PROTECTION COMMAND SET (C0h)              | x8       | AAA                     | AA      | 555  | 55   | AAA | C0   |     |      |     |          |      | 3          |
|                                                             | x16      | 555                     | AA      | 2AA  | 55   | 555 |      |     |      |     |          |      |            |
| PROGRAM NONVOLATILE PROTECTION BIT (A0h)                    | x8       | X                       | A0      | BAd  | 00   |     |      |     |      |     |          |      |            |
|                                                             | x16      |                         |         |      |      |     |      |     |      |     |          |      |            |
| READ NONVOLATILE PROTECTION BIT STATUS                      | x8       | BAd                     | READ(0) |      |      |     |      |     |      |     | 4, 6, 11 |      |            |
|                                                             | x16      |                         |         |      |      |     |      |     |      |     |          |      |            |
| CLEAR ALL NONVOLATILE PROTECTION BITS (80/30h)              | x8       | X                       | 80      | 00   | 30   |     |      |     |      |     | 12       |      |            |
|                                                             | x16      |                         |         |      |      |     |      |     |      |     |          |      |            |
| <b>NONVOLATILE PROTECTION BIT LOCK BIT Commands</b>         |          |                         |         |      |      |     |      |     |      |     |          |      |            |
| ENTER NONVOLATILE PROTECTION BIT LOCK BIT COMMAND SET (50h) | x8       | AAA                     | AA      | 555  | 55   | AAA | 50   |     |      |     |          |      | 3          |
|                                                             | x16      | 555                     | AA      | 2AA  | 55   | 555 |      |     |      |     |          |      |            |
| PROGRAM NONVOLATILE PROTECTION BIT LOCK BIT (A0h)           | x8       | X                       | A0      | X    | 00   |     |      |     |      |     | 11       |      |            |
|                                                             | x16      |                         |         |      |      |     |      |     |      |     |          |      |            |





# 128Mb 3V Embedded Parallel NOR Flash Block Protection Command Definitions – Address-Data Cycles

**Table 12: Block Protection Command Definitions – Address-Data Cycles, 8-Bit and 16-Bit (Continued)**

Notes 1 and 2 apply to entire table

| Command and Code/Subcode                        | Bus Size | Address and Data Cycles |         |     |    |     |    |     |    |     |          | Notes |   |
|-------------------------------------------------|----------|-------------------------|---------|-----|----|-----|----|-----|----|-----|----------|-------|---|
|                                                 |          | 1st                     |         | 2nd |    | 3rd |    | 4th |    | ... | nth      |       |   |
|                                                 |          | A                       | D       | A   | D  | A   | D  | A   | D  |     | A        |       | D |
| READ NONVOLATILE PROTECTION BIT LOCK BIT STATUS | x8       | X                       | READ(0) |     |    |     |    |     |    |     | 4, 6, 11 |       |   |
|                                                 | x16      |                         |         |     |    |     |    |     |    |     |          |       |   |
| <b>VOLATILE PROTECTION Commands</b>             |          |                         |         |     |    |     |    |     |    |     |          |       |   |
| ENTER VOLATILE PROTECTION COMMAND SET (E0h)     | x8       | AAA                     | AA      | 555 | 55 | AAA | E0 |     |    |     | 3        |       |   |
|                                                 | x16      | 555                     | AA      | 2AA | 55 | 555 |    |     |    |     |          |       |   |
| PROGRAM VOLATILE PROTECTION BIT (A0h)           | x8       | X                       | A0      | BAd | 00 |     |    |     |    |     |          |       |   |
|                                                 | x16      |                         |         |     |    |     |    |     |    |     |          |       |   |
| READ VOLATILE PROTECTION BIT STATUS             | x8       | BAd                     | READ(0) |     |    |     |    |     |    |     | 4, 6, 11 |       |   |
|                                                 | x16      |                         |         |     |    |     |    |     |    |     |          |       |   |
| CLEAR VOLATILE PROTECTION BIT (A0h)             | x8       | X                       | A0      | BAd | 01 |     |    |     |    |     |          |       |   |
|                                                 | x16      |                         |         |     |    |     |    |     |    |     |          |       |   |
| <b>EXTENDED MEMORY BLOCK Commands</b>           |          |                         |         |     |    |     |    |     |    |     |          |       |   |
| ENTER EXTENDED MEMORY BLOCK (88h)               | x8       | AAA                     | AA      | 555 | 55 | AAA | 88 |     |    |     | 3        |       |   |
|                                                 | x16      | 555                     | AA      | 2AA | 55 | 555 |    |     |    |     |          |       |   |
| EXIT EXTENDED MEMORY BLOCK (90/00h)             | x8       | AAA                     | AA      | 555 | 55 | AAA | 90 | X   | 00 |     |          |       |   |
|                                                 | x16      | 555                     | AA      | 2AA | 55 | 555 |    |     |    |     |          |       |   |
| <b>EXIT PROTECTION Commands</b>                 |          |                         |         |     |    |     |    |     |    |     |          |       |   |
| EXIT PROTECTION COMMAND SET (90/00h)            | x8       | X                       | 90      | X   | 00 |     |    |     |    | 3   |          |       |   |
|                                                 | x16      |                         |         |     |    |     |    |     |    |     |          |       |   |

- Notes:
- Key: A = Address and D = Data; X = "Don't Care;" BAd = any address in the block; PWDn = password bytes 0 to 7; PWA<sub>n</sub> = password address, n = 0 to 7; Gray = not applicable. All values in the table are hexadecimal.
  - DQ[15:8] are "Don't Care" during UNLOCK and COMMAND cycles. A[<sub>MAX</sub>:16] are "Don't Care" during UNLOCK and COMMAND cycles, unless an address is required.
  - The ENTER command sequence must be issued prior to any operation. It disables READ and WRITE operations from and to block 0. READ and WRITE operations from and to any other block are allowed. Also, when an ENTER COMMAND SET command is issued, an EXIT PROTECTION COMMAND SET command must be issued to return the device to READ mode.
  - READ REGISTER/PASSWORD commands have no command code; CE# and OE# are driven LOW and data is read according to a specified address.
  - Data = Lock register content.
  - All address cycles shown for this command are READ cycles.
  - Only one portion of the password can be programmed or read by each PROGRAM PASSWORD command.
  - Each portion of the password can be entered or read in any order as long as the entire 64-bit password is entered or read.

9. For the x8 READ PASSWORD command, the  $n$ th (and final) address cycle equals the 8th address cycle. From the 5th to the 8th address cycle, the values for each address and data pair continue the pattern shown in the table as follows: for x8, address and data = 04 and PWD4; 05 and PWD5; 06 and PWD6; 07 and PWD7.
10. For the x8 UNLOCK PASSWORD command, the  $n$ th (and final) address cycle equals the 11th address cycle. From the 5th to the 10th address cycle, the values for each address and data pair continue the pattern shown in the table as follows: address and data = 02 and PWD2; 03 and PWD3; 04 and PWD4; 05 and PWD5; 06 and PWD6; 07 and PWD7.

For the x16 UNLOCK PASSWORD command, the  $n$ th (and final) address cycle equals the 7th address cycle. For the 5th and 6th address cycles, the values for the address and data pair continue the pattern shown in the table as follows: address and data = 02 and PWD2; 03 and PWD3.

11. Both nonvolatile and volatile protection bit settings are as follows: Protected state = 00; Unprotected state = 01.
12. The CLEAR ALL NONVOLATILE PROTECTION BITS command programs all nonvolatile protection bits before erasure. This prevents over-erasure of previously cleared nonvolatile protection bits.

## Protection Operations

Blocks can be protected individually against accidental PROGRAM, ERASE, or READ operations on both 8-bit and 16-bit configurations. The block protection scheme is shown in the Software Protection Scheme figure. Memory block and extended memory block protection is configured through the lock register.

### LOCK REGISTER Commands

The ENTER LOCK REGISTER COMMAND SET (40h) command enables execution of all READ or PROGRAM LOCK REGISTER commands. PROGRAM LOCK REGISTER (A0h) configures the lock register, and READ LOCK REGISTER reads/confirms programmed data.

### PASSWORD PROTECTION Commands

The ENTER PASSWORD PROTECTION COMMAND SET (60h) command enables execution of password protection commands. PROGRAM PASSWORD (A0h) programs the 64-bit password used in the password protection mode. To program the 64-bit password in 8-bit mode, the complete command sequence must be entered eight times at eight consecutive addresses selected by A[1:0] plus DQ15/A-1; in 16-bit mode, the command sequence must be entered four times at four consecutive addresses selected by A[1:0]. By default, all password bits are set to 1. The password can be checked by issuing a READ PASSWORD command.

READ PASSWORD verifies the password used in password protection mode. To verify the 64-bit password in 8-bit mode, the complete command sequence must be entered eight times at eight consecutive addresses selected by A[1:0] plus DQ15/A-1. In 16-bit mode, the command sequence must be entered four times at four consecutive addresses selected by A[1:0]. If the password mode lock bit is programmed, and a user attempts to read the password, the device outputs FFh.

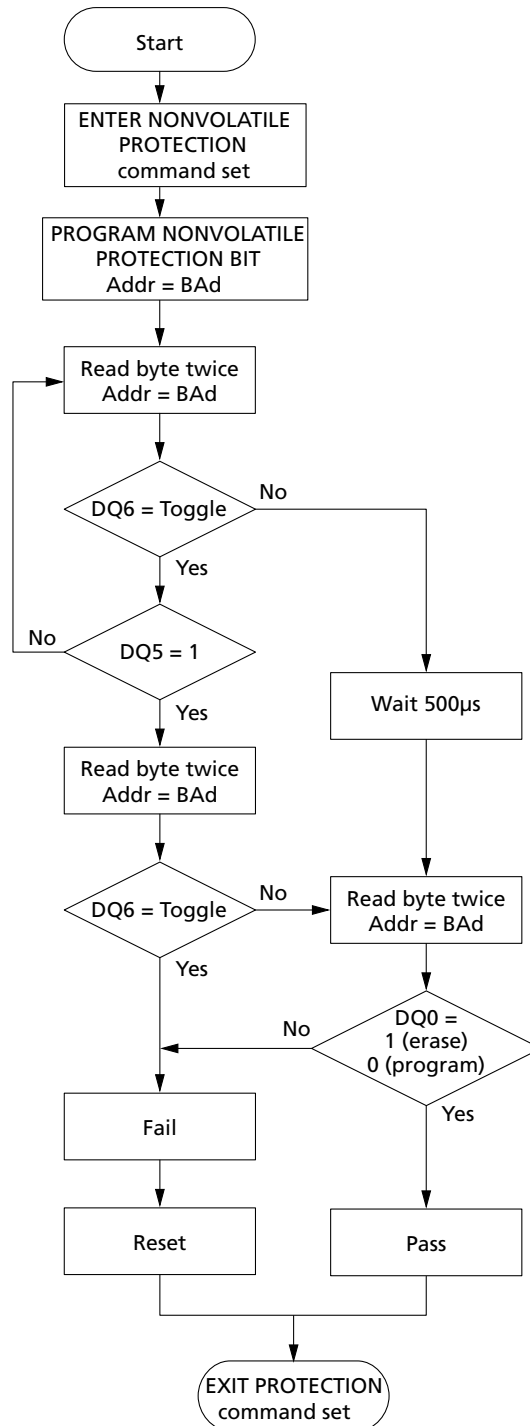
UNLOCK PASSWORD (25/03h) clears the nonvolatile protection bit lock bit, allowing the nonvolatile protection bits to be modified. UNLOCK PASSWORD must be issued with the correct password and requires a 1 $\mu$ s delay between successive UNLOCK PASSWORD commands. The delay helps prevent password intruders from trying all possible 64-bit combinations. If the delay does not occur, the latest command is ignored. After a valid 64-bit password is entered, approximately 1 $\mu$ s is required to unlock the device.

### NONVOLATILE PROTECTION Commands

The ENTER NONVOLATILE PROTECTION COMMAND SET (C0h) command enables nonvolatile protection mode commands to be issued to the device. A block can be protected from PROGRAM or ERASE operations using a PROGRAM NONVOLATILE PROTECTION BIT (A0h) command, along with the block address. This command sets the nonvolatile protection bit to 0 for a given block.

The status of a nonvolatile protection bit for a given block or group of blocks can be read using a READ NONVOLATILE MODIFY PROTECTION BIT command, along with the block address. The nonvolatile protection bits are erased simultaneously using a CLEAR ALL NONVOLATILE PROTECTION BITS (80/30h) command. No specific block address is required. If the nonvolatile protection bit lock bit is set to 0, the command fails.

**Figure 10: Program/Erase Nonvolatile Protection Bit Algorithm**



## NONVOLATILE PROTECTION BIT LOCK BIT Commands

After the ENTER NONVOLATILE PROTECTION BIT LOCK BIT COMMAND SET (50h) command has been issued, the commands that allow the nonvolatile protection bit lock bit to be set can be issued to the device.

The PROGRAM NONVOLATILE PROTECTION BIT LOCK BIT (A0h) command is used to set the nonvolatile protection bit lock bit to 0, thus locking the nonvolatile protection bits and preventing them from being modified.

The READ NONVOLATILE PROTECTION BIT LOCK BIT STATUS command is used to read the status of the nonvolatile protection bit lock bit.

## VOLATILE PROTECTION Commands

After the ENTER VOLATILE PROTECTION COMMAND SET (E0h) command has been issued, commands related to the volatile protection mode can be issued to the device.

The PROGRAM VOLATILE PROTECTION BIT (A0h) command individually sets a volatile protection bit to 0 for a given block. If the nonvolatile protection bit for the same block is set, the block is locked regardless of the value of the volatile protection bit. (See the Block Protection Status table.)

The status of a volatile protection bit for a given block can be read by issuing a READ VOLATILE PROTECTION BIT STATUS command along with the block address.

The CLEAR VOLATILE PROTECTION BIT (A0h) command individually clears (sets to 1) the volatile protection bit for a given block. If the nonvolatile protection bit for the same block is set, the block is locked regardless of the value of the volatile protection bit. (See the Block Protection Status table.)

## EXTENDED MEMORY BLOCK Commands

The device has one extra 128-word extended memory block that can be accessed only by the ENTER EXTENDED MEMORY BLOCK (88h) command. The extended memory block is 128 words (x16) or 256 bytes (x8). It is used as a security block to provide a permanent 128-bit security identification number or to store additional information. The device can be shipped with the extended memory block prelocked permanently by Micron, including the 128-bit security identification number. Or, the device can be shipped with the extended memory block unlocked, enabling customers to permanently program and lock it. (See Lock Register, the AUTO SELECT command, and the Block Protection table.)

**Table 13: Extended Memory Block Address and Data**

| Address         |                 | Data             |                        |
|-----------------|-----------------|------------------|------------------------|
| x8              | x16             | Micron-Prelocked | Customer-Lockable      |
| 000000h–0000FFh | 000000h–00007Fh | Secure ID number | Determined by customer |

After the ENTER EXTENDED MEMORY BLOCK command has been issued, the device enters the extended memory block mode. All bus READ or PROGRAM operations are conducted on the extended memory block, and the extended memory block is addressed using the addresses occupied by block 0 in the other operating modes. (See the Memory Map table.)

In extended memory block mode, ERASE, CHIP ERASE, ERASE SUSPEND, and ERASE RESUME commands are not allowed. The extended memory block cannot be erased, and each bit of the extended memory block can only be programmed once.

The extended memory block is protected from further modification by programming lock register bit 0. Once invoked, this protection cannot be undone.

The device remains in extended memory block mode until the EXIT EXTENDED MEMORY BLOCK (90/00h) command is issued, which returns the device to read mode, or until power is removed from the device. After a power-up sequence or hardware reset, the device will revert to reading memory blocks in the main array.

### **EXIT PROTECTION Command**

The EXIT PROTECTION COMMAND SET (90/00h) command is used to exit the lock register, password protection, nonvolatile protection, volatile protection, and nonvolatile protection bit lock bit command set modes and return the device to read mode.

## Device Protection

### Hardware Protection

The  $V_{PP}/WP\#$  function provides a hardware method of protecting the highest or lowest block. When  $V_{PP}/WP\#$  is LOW, PROGRAM and ERASE operations on either of these blocks is ignored to provide protection. When  $V_{PP}/WP\#$  is HIGH, the device reverts to the previous protection status for the highest or lowest block. PROGRAM and ERASE operations can modify the data in this block unless the block is protected using block protection.

When  $V_{PP}/WP\#$  protect is raised to  $V_{PPH}$ , the device automatically enters the unlock bypass mode, and command execution time is faster. This must never be done from any mode except read mode; otherwise, the device might be left in an indeterminate state.

A 0.1 $\mu$ F capacitor should be connected between  $V_{PP}/WP\#$  and the  $V_{SS}$  ground pin to decouple the current surges from the power supply. The PCB track widths must be sufficient to carry the currents required during unlock bypass program.

When  $V_{PP}/WP\#$  returns to HIGH or LOW, normal operation resumes. When operations execute in unlock bypass mode, the device draws  $I_{PP}$  from the pin to supply the programming circuits. Transitions from HIGH to  $V_{PPH}$  and from  $V_{PPH}$  to LOW must be slower than  $t_{VHVPP}$ .

**Note:** Micron highly recommends driving  $V_{PP}/WP\#$  HIGH or LOW. If a system needs to float  $V_{PP}/WP\#$ , without a pull-up/pull-down resistor and no capacitor, then an internal pull-up resistor is enabled.

**Table 14:  $V_{PP}/WP\#$  Functions**

| $V_{PP}/WP\#$ Settings | Function                                                                          |
|------------------------|-----------------------------------------------------------------------------------|
| $V_{IL}$               | Highest (29WxxxGH) or lowest (29WxxxGL) block is protected.                       |
| $V_{IH}$               | Highest or lowest block is unprotected unless software protection is activated.   |
| $V_{PPH}$              | Unlock bypass mode supplies current necessary to speed up PROGRAM execution time. |

### Software Protection

Software protection includes volatile, nonvolatile, and password protection as well as password access. The device is shipped with all blocks unprotected. On first use, the device defaults to the nonvolatile protection mode but can be activated in either the nonvolatile protection or password protection mode.

The desired protection mode is activated by setting either the nonvolatile protection mode lock bit or the password protection mode lock bit of the lock register. (See the Lock Register section.) Both bits are one-time-programmable and nonvolatile; therefore, after the protection mode has been activated, it cannot be changed, and the device is set permanently to operate in the selected protection mode. It is recommended that the desired software protection mode be activated when first programming the device.

For the lowest and highest blocks, a higher level of block protection can be achieved by locking the blocks using nonvolatile protection mode and holding  $V_{PP}/WP\#$  LOW.

Blocks with volatile protection and nonvolatile protection can coexist within the memory array. If the user attempts to program or erase a protected block, the device ignores the command and returns to read mode.

The block protection status can be read by performing a read electronic signature or by issuing an AUTO SELECT command. (See the Block Protection table.)

Refer to the Block Protection Status table and the Software Protection Scheme figure for details on the block protection scheme. Refer to the Protection Operations section for a description of the command sets.

## Volatile Protection Mode

Volatile protection enables the software application to protect blocks against inadvertent change and can be disabled when changes are needed. Volatile protection bits are unique for each block and can be individually modified. Volatile protection bits control the protection scheme only for unprotected blocks whose nonvolatile protection bits are cleared to 1. Issuing a PROGRAM VOLATILE PROTECTION BIT or CLEAR VOLATILE PROTECTION BIT command sets to 0 or clears to 1 the volatile protection bits and places the associated blocks in the protected (0) or unprotected (1) state, respectively. The volatile protection bit can be set or cleared as often as needed.

When the device is first shipped, or after a power-up or hardware reset, the volatile protection bits default to 1 (unprotected).

## Nonvolatile Protection Mode

A nonvolatile protection bit is assigned to each block. Each of these bits can be set for protection individually by issuing a PROGRAM NONVOLATILE PROTECTION BIT command. Also, each device has one global volatile bit called the nonvolatile protection bit lock bit; it can be set to protect all nonvolatile protection bits at once. This global bit must be set to 0 only after all nonvolatile protection bits are configured to the desired settings. When set to 0, the nonvolatile protection bit lock bit prevents changes to the state of the nonvolatile protection bits. When cleared to 1, the nonvolatile protection bits can be set and cleared using the PROGRAM NONVOLATILE PROTECTION BIT and CLEAR ALL NONVOLATILE PROTECTION BITS commands, respectively.

No software command unlocks the nonvolatile protection bit lock bit unless the device is in password protection mode; in nonvolatile protection mode, the nonvolatile protection bit lock bit can be cleared only by taking the device through a hardware reset or power-up.

Nonvolatile protection bits cannot be cleared individually; they must be cleared all at once using a CLEAR ALL NONVOLATILE PROTECTION BITS command. They will remain set through a hardware reset or a power-down/power-up sequence.

If one of the nonvolatile protection bits needs to be cleared (unprotected), additional steps are required. First, the nonvolatile protection bit lock bit must be cleared to 1, using either a power-cycle or hardware reset. Then, the nonvolatile protection bits can be changed to reflect the desired settings. Finally, the nonvolatile protection bit lock bit must be set to 0 to lock the nonvolatile protection bits. The device now will operate normally.

To achieve the best protection, the PROGRAM NONVOLATILE PROTECTION LOCK BIT command should be executed early in the boot code, and the boot code should be protected by holding  $V_{pp}/WP\#$  LOW.



Nonvolatile protection bits and volatile protection bits have the same function when  $V_{PP}/WP\#$  is HIGH or when  $V_{PP}/WP\#$  is at the voltage for program acceleration ( $V_{PPH}$ ).

## Password Protection Mode

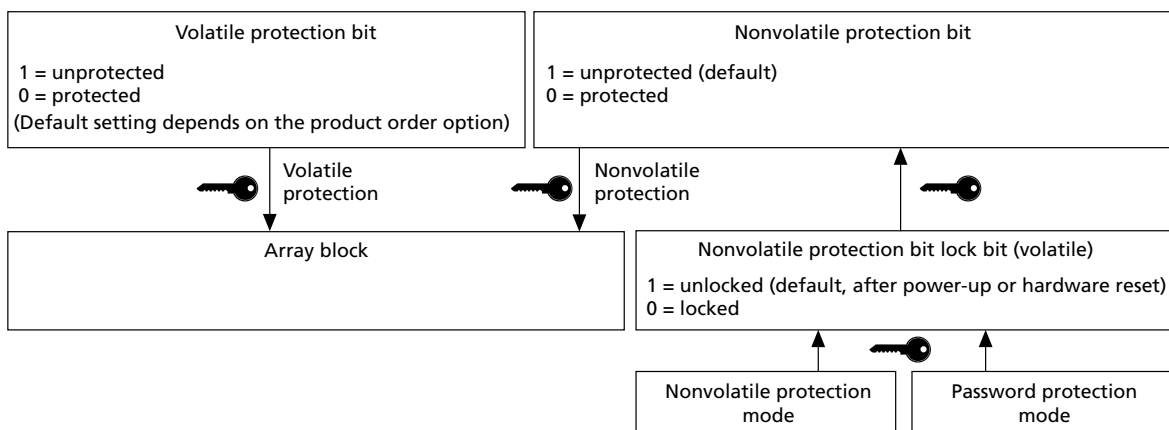
Password protection mode provides a higher level of security than the nonvolatile protection mode by requiring a 64-bit password to unlock the nonvolatile protection bit lock bit. In addition to this password requirement, the nonvolatile protection bit lock bit is set to 0 after power-up and reset to maintain the device in password protection mode.

Executing the UNLOCK PASSWORD command by entering the correct password clears the nonvolatile protection bit lock bit, enabling the block nonvolatile protection bits to be modified. If the password provided is incorrect, the nonvolatile protection bit lock bit remains locked, and the state of the nonvolatile protection bits cannot be modified.

To place the device in password protection mode, the following two steps are required: First, before activating the password protection mode, a 64-bit password must be set and the setting verified. Password verification is allowed only before the password protection mode is activated. Next, password protection mode is activated by programming the password protection mode lock bit to 0. This operation is irreversible. After the bit is programmed, it cannot be erased, the device remains permanently in password protection mode, and the 64-bit password can be neither retrieved nor reprogrammed. In addition, all commands to the address where the password is stored are disabled.

**Note:** There is no means to verify the password after password protection mode is enabled. If the password is lost after enabling the password protection mode, there is no way to clear the nonvolatile protection bit lock bit.

**Figure 11: Software Protection Scheme**



- Notes:
1. Volatile protection bits are programmed and cleared individually. Nonvolatile protection bits are programmed individually and cleared collectively.
  2. Once programmed to 0, the nonvolatile protection bit lock bit can be reset to 1 only by taking the device through a power-up or hardware reset.

## Common Flash Interface

The common Flash interface (CFI) is a JEDEC-approved, standardized data structure that can be read from the Flash memory device. It allows a system's software to query the device to determine various electrical and timing parameters, density information, and functions supported by the memory. The system can interface easily with the device, enabling the software to upgrade itself when necessary.

When the READ CFI command is issued, the device enters CFI query mode and the data structure is read from memory. The following tables show the addresses (A-1, A[7:0]) used to retrieve the data. The query data is always presented on the lowest order data outputs (DQ[7:0]), and the other data outputs (DQ[15:8]) are set to 0.

**Table 15: Query Structure Overview**

Note 1 applies to the entire table

| Address |     | Subsection Name                                 | Description                                                         |
|---------|-----|-------------------------------------------------|---------------------------------------------------------------------|
| x16     | x8  |                                                 |                                                                     |
| 10h     | 20h | CFI query identification string                 | Command set ID and algorithm data offset                            |
| 1Bh     | 36h | System interface information                    | Device timing and voltage information                               |
| 27h     | 4Eh | Device geometry definition                      | Flash device layout                                                 |
| 40h     | 80h | Primary algorithm-specific extended query table | Additional information specific to the primary algorithm (optional) |
| 61h     | C2h | Security code area                              | 64-bit unique device number                                         |

Note: 1. Query data are always presented on the lowest order data outputs (DQ[7:0]). DQ[15:8] are set to 0.

**Table 16: CFI Query Identification String**

Note 1 applies to the entire table

| Address |     | Data  | Description                                                                                                  | Value               |
|---------|-----|-------|--------------------------------------------------------------------------------------------------------------|---------------------|
| x16     | x8  |       |                                                                                                              |                     |
| 10h     | 20h | 0051h | Query unique ASCII string "QRY"                                                                              | "Q"                 |
| 11h     | 22h | 0052h |                                                                                                              | "R"                 |
| 12h     | 24h | 0059h |                                                                                                              | "Y"                 |
| 13h     | 26h | 0002h | Primary algorithm command set and control interface ID code 16-bit ID code defining a specific algorithm     | Spansion compatible |
| 14h     | 28h | 0000h |                                                                                                              |                     |
| 15h     | 2Ah | 0040h | Address for primary algorithm extended query table (see the Primary Algorithm-Specific Extended Query Table) | P = 40h             |
| 16h     | 2Ch | 0000h |                                                                                                              |                     |
| 17h     | 2Eh | 0000h | Alternate vendor command set and control interface ID code second vendor-specified algorithm supported       | -                   |
| 18h     | 30h | 0000h |                                                                                                              |                     |
| 19h     | 32h | 0000h | Address for alternate algorithm extended query table                                                         | -                   |
| 1Ah     | 34h | 0000h |                                                                                                              |                     |

Note: 1. Query data are always presented on the lowest order data outputs (DQ[7:0]). DQ[15:8] are set to 0.

**Table 17: CFI Query System Interface Information**

Note 1 applies to the entire table

| Address |     | Data  | Description                                                                                                                         | Value |
|---------|-----|-------|-------------------------------------------------------------------------------------------------------------------------------------|-------|
| x16     | x8  |       |                                                                                                                                     |       |
| 1Bh     | 36h | 0027h | V <sub>CC</sub> logic supply minimum program/erase voltage<br>Bits[7:4] BCD value in volts<br>Bits[3:0] BCD value in 100mV          | 2.7V  |
| 1Ch     | 38h | 0036h | V <sub>CC</sub> logic supply maximum program/erase voltage<br>Bits[7:4] BCD value in volts<br>Bits[3:0] BCD value in 100mV          | 3.6V  |
| 1Dh     | 3Ah | 00B5h | V <sub>PPH</sub> (programming) supply minimum program/erase voltage<br>Bits[7:4] hex value in volts<br>Bits[3:0] BCD value in 100mV | 11.5V |
| 1Eh     | 3Ch | 00C5h | V <sub>PPH</sub> (programming) supply maximum program/erase voltage<br>Bits[7:4] hex value in volts<br>Bits[3:0] BCD value in 100mV | 12.5V |
| 1Fh     | 3Eh | 0004h | Typical timeout for single byte/word program = 2 <sup>n</sup> μs                                                                    | 16μs  |
| 20h     | 40h | 0004h | Typical timeout for maximum size buffer program = 2 <sup>n</sup> μs                                                                 | 16μs  |
| 21h     | 42h | 0009h | Typical timeout per individual block erase = 2 <sup>n</sup> ms                                                                      | 0.5s  |
| 22h     | 44h | 0010h | Typical timeout for full chip erase = 2 <sup>n</sup> ms                                                                             | 40s   |
| 23h     | 46h | 0004h | Maximum timeout for byte/word program = 2 <sup>n</sup> times typical                                                                | 200μs |
| 24h     | 48h | 0004h | Maximum timeout for buffer program = 2 <sup>n</sup> times typical                                                                   | 200μs |
| 25h     | 4Ah | 0003h | Maximum timeout per individual block erase = 2 <sup>n</sup> times typical                                                           | 2.3s  |
| 26h     | 4Ch | 0004h | Maximum timeout for chip erase = 2 <sup>n</sup> times typical                                                                       | 400s  |

Note: 1. The values in this table are valid for both packages.

**Table 18: Device Geometry Definition**

| Address |     | Data  | Description                                                                                                            | Value                   |
|---------|-----|-------|------------------------------------------------------------------------------------------------------------------------|-------------------------|
| x16     | x8  |       |                                                                                                                        |                         |
| 27h     | 4Eh | 0018h | Device size = 2 <sup>n</sup> in number of bytes                                                                        | 16MB                    |
| 28h     | 50h | 0002h | Flash device interface code description                                                                                | x8, x16<br>asynchronous |
| 29h     | 52h | 0000h |                                                                                                                        |                         |
| 2Ah     | 54h | 0006h | Maximum number of bytes in multi-byte program or page = 2 <sup>n</sup>                                                 | 64B                     |
| 2Bh     | 56h | 0000h |                                                                                                                        |                         |
| 2Ch     | 58h | 0001h | Number of erase block regions. It specifies the number of regions containing contiguous erase blocks of the same size. | 1                       |
| 2Dh     | 5Ah | 007Fh | Erase block region 1 information                                                                                       | 128 block               |
| 2Eh     | 5Ch | 0000h | Number of identical-size erase blocks = 007Fh + 1                                                                      |                         |
| 2Fh     | 5Eh | 0000h | Erase block region 1 information                                                                                       | 128KB                   |
| 30h     | 60h | 0002h | Block size in region 1 = 0200h × 256 bytes                                                                             |                         |

**Table 18: Device Geometry Definition (Continued)**

| Address |     | Data  | Description                      | Value |
|---------|-----|-------|----------------------------------|-------|
| x16     | x8  |       |                                  |       |
| 31h     | 62h | 0000h | Erase block region 2 information | 0     |
| 32h     | 64h | 0000h |                                  |       |
| 33h     | 66h | 0000h |                                  |       |
| 34h     | 68h | 0000h |                                  |       |
| 35h     | 6Ah | 0000h | Erase block region 3 information | 0     |
| 36h     | 6Ch | 0000h |                                  |       |
| 37h     | 6Eh | 0000h |                                  |       |
| 38h     | 70h | 0000h |                                  |       |
| 39h     | 72h | 0000h | Erase block region 4 information | 0     |
| 3Ah     | 74h | 0000h |                                  |       |
| 3Bh     | 76h | 0000h |                                  |       |
| 3Ch     | 78h | 0000h |                                  |       |

**Table 19: Primary Algorithm-Specific Extended Query Table**

Note 1 applies to the entire table

| Address |     | Data  | Description                                                                                                        | Value       |
|---------|-----|-------|--------------------------------------------------------------------------------------------------------------------|-------------|
| x16     | x8  |       |                                                                                                                    |             |
| 40h     | 80h | 0050h | Primary algorithm extended query table unique ASCII string "PRI"                                                   | "P"         |
| 41h     | 82h | 0052h |                                                                                                                    | "R"         |
| 42h     | 84h | 0049h |                                                                                                                    | "I"         |
| 43h     | 86h | 0031h | Major version number, ASCII                                                                                        | "1"         |
| 44h     | 88h | 0033h | Minor version number, ASCII                                                                                        | "3"         |
| 45h     | 8Ah | 000Dh | Address sensitive unlock (bits[1:0]):<br>00 = Required<br>01 = Not required<br>Silicon revision number (bits[7:2]) | Yes<br>90nm |
| 46h     | 8Ch | 0002h | Erase suspend:<br>00 = Not supported<br>01 = Read only<br>02 = Read and write                                      | 2           |
| 47h     | 8Eh | 0001h | Block protection:<br>00 = Not supported<br>x = Number of blocks per group                                          | 1           |
| 48h     | 90h | 0000h | Temporary block unprotect:<br>00 = Not supported<br>01 = Supported                                                 | 00          |
| 49h     | 92h | 0008h | Block protect/unprotect:<br>06 = M29W128GH/M29W128GL                                                               | 06          |
| 4Ah     | 94h | 0000h | Simultaneous operations:<br>Not supported                                                                          | –           |

**Table 19: Primary Algorithm-Specific Extended Query Table (Continued)**

Note 1 applies to the entire table

| Address |     | Data  | Description                                                                                                                                                                                      | Value                                                                                     |
|---------|-----|-------|--------------------------------------------------------------------------------------------------------------------------------------------------------------------------------------------------|-------------------------------------------------------------------------------------------|
| x16     | x8  |       |                                                                                                                                                                                                  |                                                                                           |
| 48h     | 96h | 0000h | Burst mode:<br>00 = Not supported<br>01 = Supported                                                                                                                                              | 00                                                                                        |
| 4Ch     | 98h | 0002h | Page mode:<br>00 = Not supported<br>02 = 8-word page                                                                                                                                             | 02                                                                                        |
| 4Dh     | 9Ah | 00B5h | V <sub>PPH</sub> supply minimum program/erase voltage:<br>Bits[7:4] hex value in volts<br>Bits[3:0] BCD value in 100mV                                                                           | 11.5V                                                                                     |
| 4Eh     | 9Ch | 00C5h | V <sub>PPH</sub> supply maximum program/erase voltage:<br>Bits[7:4] hex value in volts<br>Bits[3:0] BCD value in 100mV                                                                           | 12.5V                                                                                     |
| 4Fh     | 9Eh | 00xxh | Top/bottom boot block flag:<br>xx = 04h: M29W128GL, first block protected by V <sub>PP</sub> /W <sub>P</sub> #<br>xx = 05h: M29W128GH, last block protected by V <sub>PP</sub> /W <sub>P</sub> # | Uniform +<br>V <sub>PP</sub> /W <sub>P</sub> # protect-<br>ing highest or<br>lowest block |
| 50h     | A0h | 0001h | Program suspend:<br>00 = Not supported<br>01 = Supported                                                                                                                                         | 01                                                                                        |

Note: 1. The values in this table are valid for both packages.

**Table 20: Security Code Area**

| Address |          | Data | Description                 |
|---------|----------|------|-----------------------------|
| x16     | x8       |      |                             |
| 61h     | C3h, C2h | XXXX | 64-bit unique device number |
| 62h     | C5h, C4h | XXXX |                             |
| 63h     | C7h, C6h | XXXX |                             |
| 64h     | C9h, C8h | XXXX |                             |

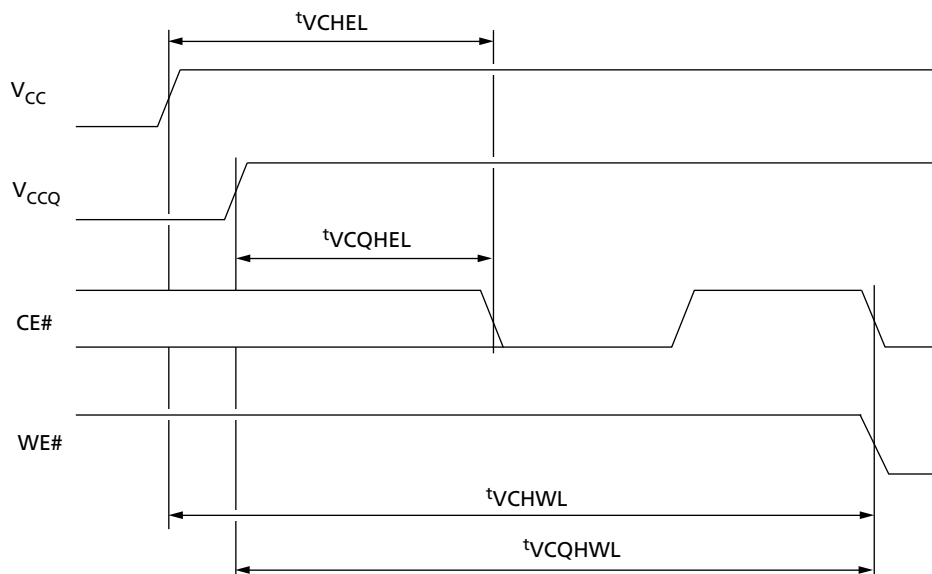
## Power-Up and Reset Characteristics

**Table 21: Power-Up Wait Timing Specifications**

| Parameter                        | Symbol                         | 70ns or 60ns <sup>1</sup> | 80ns | Unit | Notes |
|----------------------------------|--------------------------------|---------------------------|------|------|-------|
|                                  |                                | Min                       | Min  |      |       |
| V <sub>CC</sub> HIGH to CE# LOW  | t <sub>VCH<sub>EL</sub></sub>  | 55                        |      | μs   | 2     |
| V <sub>CCQ</sub> HIGH to CE# LOW | t <sub>VCQ<sub>HEL</sub></sub> | 55                        |      | μs   | 2     |
| V <sub>CC</sub> HIGH to WE# LOW  | t <sub>VCH<sub>WL</sub></sub>  | 500                       |      | μs   |       |
| V <sub>CCQ</sub> HIGH to WE# LOW | t <sub>VCQ<sub>HWL</sub></sub> | 500                       |      | μs   |       |

- Notes: 1. Only available upon customer request.  
2. V<sub>CC</sub> and V<sub>CCQ</sub> ramps must be synchronized during power-up.

**Figure 12: Power-Up Timing**

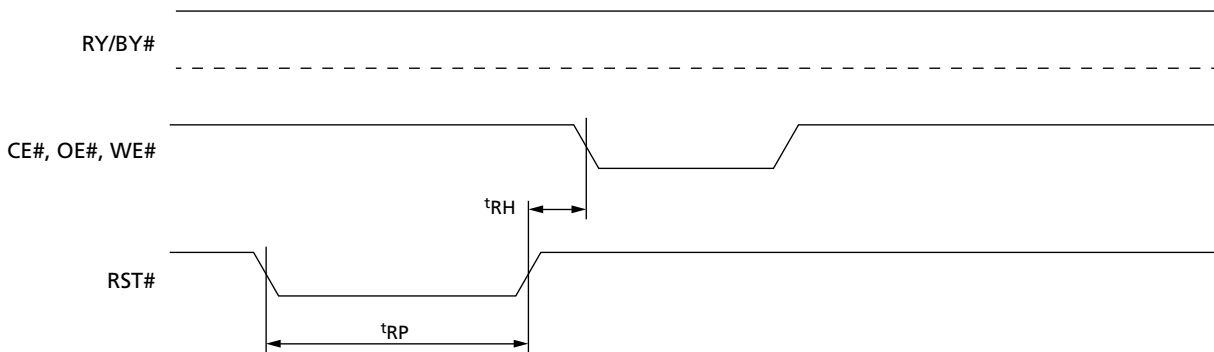


**Table 22: Reset AC Characteristics**

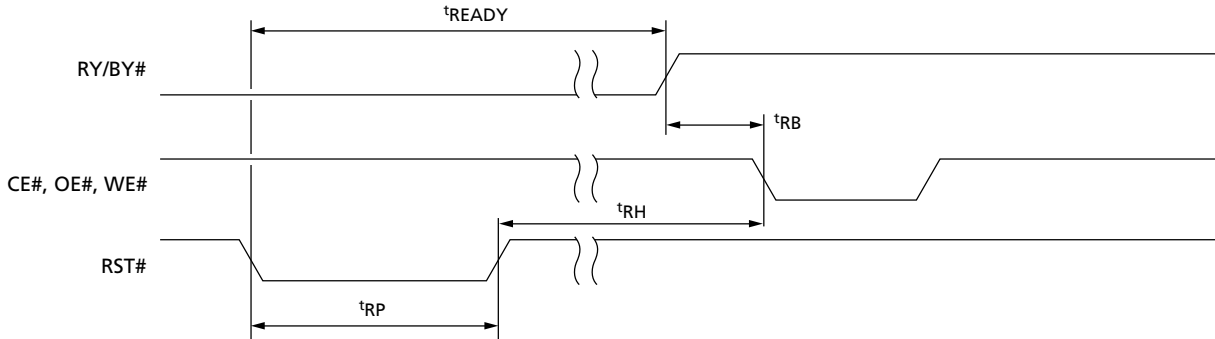
| Condition/Parameter                              | Symbol             |                                                                 | 60ns <sup>1</sup> , 70ns, 80ns |     | Unit | Notes |
|--------------------------------------------------|--------------------|-----------------------------------------------------------------|--------------------------------|-----|------|-------|
|                                                  | Legacy             | JEDEC                                                           | Min                            | Max |      |       |
| RST# LOW to read mode during program or erase    | t <sup>READY</sup> | t <sup>PLRH</sup>                                               | –                              | 50  | μs   | 2     |
| RST# pulse width                                 | t <sup>RP</sup>    | t <sup>PLPH</sup>                                               | 10                             | –   | μs   |       |
| RST# HIGH to WE# LOW, CE# LOW, OE# LOW           | t <sup>RH</sup>    | t <sup>PHEL</sup> ,<br>t <sup>PHGL</sup> ,<br>t <sup>PHWL</sup> | 50                             | –   | ns   | 2     |
| RST# LOW to standby mode during read mode        | t <sup>RPD</sup>   | –                                                               | 10                             | –   | μs   |       |
| RST# LOW to standby mode during program or erase |                    |                                                                 | 50                             | –   | μs   |       |
| RB# HIGH to WE# LOW, CE# LOW, OE# LOW            | t <sup>RB</sup>    | t <sup>RHEL</sup> ,<br>t <sup>RHGL</sup> ,<br>t <sup>RHWL</sup> | 0                              | –   | ns   | 2     |

- Notes: 1. Only available upon customer request.  
2. Sampled only; not 100% tested.

**Figure 13: Reset AC Timing – No PROGRAM/ERASE Operation in Progress**



**Figure 14: Reset AC Timing During PROGRAM/ERASE Operation**





## Absolute Ratings and Operating Conditions

Stresses greater than those listed may cause permanent damage to the device. This is a stress rating only, and functional operation of the device at these or any other conditions outside those indicated in the operational sections of this specification is not implied. Exposure to absolute maximum rating conditions for extended periods may adversely affect reliability.

**Table 23: Absolute Maximum/Minimum Ratings**

| Parameter                   | Symbol     | Min  | Max            | Unit | Notes |
|-----------------------------|------------|------|----------------|------|-------|
| Temperature under bias      | $T_{BIAS}$ | -50  | 125            | °C   |       |
| Storage temperature         | $T_{STG}$  | -65  | 150            | °C   |       |
| Input/output voltage        | $V_{IO}$   | -0.6 | $V_{CC} + 0.6$ | V    | 1, 2  |
| Supply voltage              | $V_{CC}$   | -0.6 | 4              | V    |       |
| Input/output supply voltage | $V_{CCQ}$  | -0.6 | 4              | V    |       |
| Identification voltage      | $V_{ID}$   | -0.6 | 13.5           | V    |       |
| Program voltage             | $V_{PPH}$  | -0.6 | 13.5           | V    | 3     |

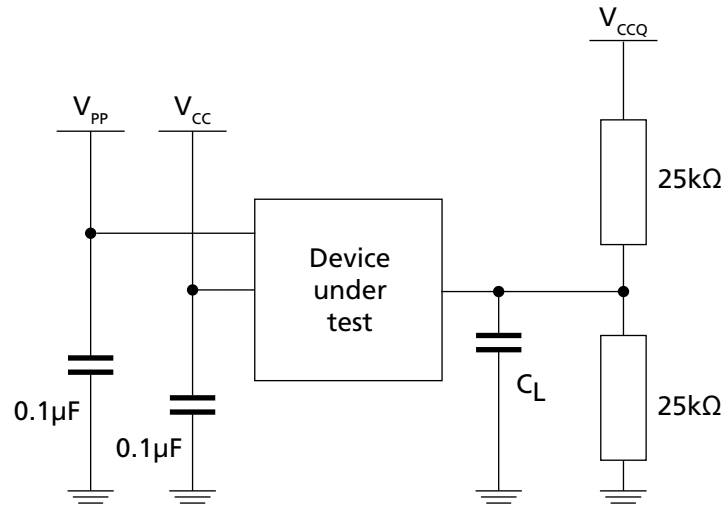
- Notes:
1. Minimum voltage may undershoot to -2V during transition and for less than 20ns during transitions.
  2. Maximum voltage may overshoot to  $V_{CC} + 2V$  during transition and for less than 20ns during transitions.
  3.  $V_{PPH}$  must not remain at 12V for more than a total of 80 hours.

**Table 24: Operating and AC Measurement Conditions**

| Parameter                               | Symbol    | 70ns or 60ns <sup>1</sup> |     | 80ns           |     | Unit |
|-----------------------------------------|-----------|---------------------------|-----|----------------|-----|------|
|                                         |           | Min                       | Max | Min            | Max |      |
| Supply voltage                          | $V_{CC}$  | 2.7                       | 3.6 | 2.7            | 3.6 | V    |
| Input/output supply voltage             | $V_{CCQ}$ | 2.7                       | 3.6 | 1.65           | 3.6 | V    |
| Ambient operating temperature (range 1) | $T_{A1}$  | 0                         | 70  | 0              | 70  | °C   |
| Ambient operating temperature (range 3) | $T_{A3}$  | -40                       | 125 | -40            | 125 | °C   |
| Ambient operating temperature (range 6) | $T_{A6}$  | -40                       | 85  | -40            | 85  | °C   |
| Load capacitance                        | $C_L$     | 30                        |     | 30             |     | pF   |
| Input rise and fall times               | -         | -                         | 10  | -              | 10  | ns   |
| Input pulse voltages                    | -         | 0 to $V_{CCQ}$            |     | 0 to $V_{CCQ}$ |     | V    |
| Input/output timing reference voltages  | -         | $V_{CCQ}/2$               |     | $V_{CCQ}/2$    |     | V    |

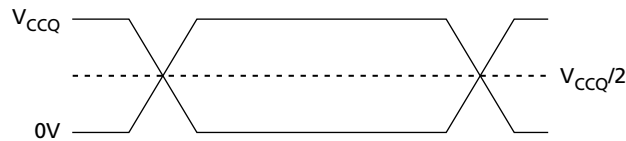
- Note: 1. Only available upon customer request.

**Figure 15: AC Measurement Load Circuit**



Note: 1.  $C_L$  includes jig capacitance.

**Figure 16: AC Measurement I/O Waveform**



**Table 25: Input/Output Capacitance**

Sampled only, not 100% tested.

| Parameter          | Symbol    | Test Condition        | Min | Max | Unit |
|--------------------|-----------|-----------------------|-----|-----|------|
| Input capacitance  | $C_{IN}$  | $V_{IN} = 0\text{V}$  | –   | 6   | pF   |
| Output capacitance | $C_{OUT}$ | $V_{OUT} = 0\text{V}$ | –   | 12  | pF   |

## DC Characteristics

**Table 26: DC Current Characteristics**

| Parameter                          | Symbol                    | Conditions                                                          | Min                                                     | Typ | Max     | Unit        | Notes       |             |
|------------------------------------|---------------------------|---------------------------------------------------------------------|---------------------------------------------------------|-----|---------|-------------|-------------|-------------|
| Input leakage current              | $I_{LI}$                  | $0V \leq V_{IN} \leq V_{CC}$                                        | -                                                       | -   | $\pm 1$ | $\mu A$     | 1           |             |
| Output leakage current             | $I_{LO}$                  | $0V \leq V_{OUT} \leq V_{CC}$                                       | -                                                       | -   | $\pm 1$ | $\mu A$     |             |             |
| $V_{CC}$ read current              | Random read               | $I_{CC1}$<br>$CE\# = V_{IL}, OE\# = V_{IH},$<br>$f = 6 \text{ MHz}$ | -                                                       | -   | 10      | $\text{mA}$ |             |             |
|                                    | Page read                 |                                                                     | $CE\# = V_{IL}, OE\# = V_{IH},$<br>$f = 10 \text{ MHz}$ | -   | -       | 15          |             | $\text{mA}$ |
| $V_{CC}$ standby current           | Grade 6                   | $I_{CC2}$<br>$CE\# = V_{CCQ} \pm 0.2V$                              | -                                                       | -   | 100     | $\mu A$     | 2           |             |
|                                    | Grade 3                   |                                                                     | -                                                       | -   | 200     | $\mu A$     | 2           |             |
| $V_{CC}$ program/erase current     |                           | $I_{CC3}$<br>Program/<br>erase<br>controller<br>active              | $V_{PP}/WP\# = V_{IL}$<br>or $V_{IH}$                   | -   | -       | 20          | $\text{mA}$ | 3           |
|                                    |                           |                                                                     | $V_{PP}/WP\# = V_{PPH}$                                 | -   | -       | 20          | $\text{mA}$ |             |
| $V_{PP}$ program current (program) | Read or standby Standby   | $I_{PP1}$                                                           | $V_{PP}/WP\# \leq V_{CC}$                               |     | -       | 1           | 5           | $\mu A$     |
|                                    | Reset                     | $I_{PP2}$                                                           | $RST\# = V_{SS} \pm 0.2V$                               |     | -       | 1           | 5           | $\mu A$     |
|                                    | PROGRAM operation ongoing | $I_{PP3}$                                                           | $V_{PP}/WP\# = 12V \pm 5\%$                             |     | -       | 1           | 10          | $\text{mA}$ |
|                                    |                           |                                                                     | $V_{PP}/WP\# = V_{CC}$                                  |     | -       | 1           | 5           | $\mu A$     |
| $V_{PP}$ program current (erase)   | ERASE operation ongoing   | $I_{PP4}$                                                           | $V_{PP}/WP\# = 12V \pm 5\%$                             |     | -       | 3           | 10          | $\text{mA}$ |
|                                    |                           |                                                                     | $V_{PP}/WP\# = V_{CC}$                                  |     | -       | 1           | 5           | $\mu A$     |

- Notes:
1. The maximum input leakage current is  $\pm 5\mu A$  on the  $V_{PP}/WP\#$  pin.
  2. When the bus is inactive for  $t_{AVQV} + 30\text{ns}$  or more, the memory enters automatic standby.
  3. Sampled only; not 100% tested.

**Table 27: DC Voltage Characteristics**

| Parameter                                      | Symbol    | Conditions                                                                | Min           | Typ | Max             | Unit | Notes |
|------------------------------------------------|-----------|---------------------------------------------------------------------------|---------------|-----|-----------------|------|-------|
| Input LOW voltage                              | $V_{IL}$  | $V_{CC} \geq 2.7V$                                                        | -0.5          | -   | $0.3V_{CCQ}$    | V    |       |
| Input HIGH voltage                             | $V_{IH}$  | $V_{CC} \geq 2.7V$                                                        | $0.7V_{CCQ}$  | -   | $V_{CCQ} + 0.4$ | V    |       |
| Output LOW voltage                             | $V_{OL}$  | $I_{OL} = 100\mu A,$<br>$V_{CC} = V_{CC,min},$<br>$V_{CCQ} = V_{CCQ,min}$ | -             | -   | $0.15V_{CCQ}$   | V    |       |
| Output HIGH voltage                            | $V_{OH}$  | $I_{OH} = 100\mu A,$<br>$V_{CC} = V_{CC,min},$<br>$V_{CCQ} = V_{CCQ,min}$ | $0.85V_{CCQ}$ | -   | -               | V    |       |
| Identification voltage                         | $V_{ID}$  | -                                                                         | 11.5          | -   | 12.5            | V    |       |
| Voltage for $V_{PP}/WP\#$ program acceleration | $V_{PPH}$ | -                                                                         | 11.4          | -   | 12.6            | V    |       |
| Program/erase lockout supply voltage           | $V_{LKO}$ | -                                                                         | 1.8           | -   | 2.5             | V    | 1     |

Note: 1. Sampled only; not 100% tested.

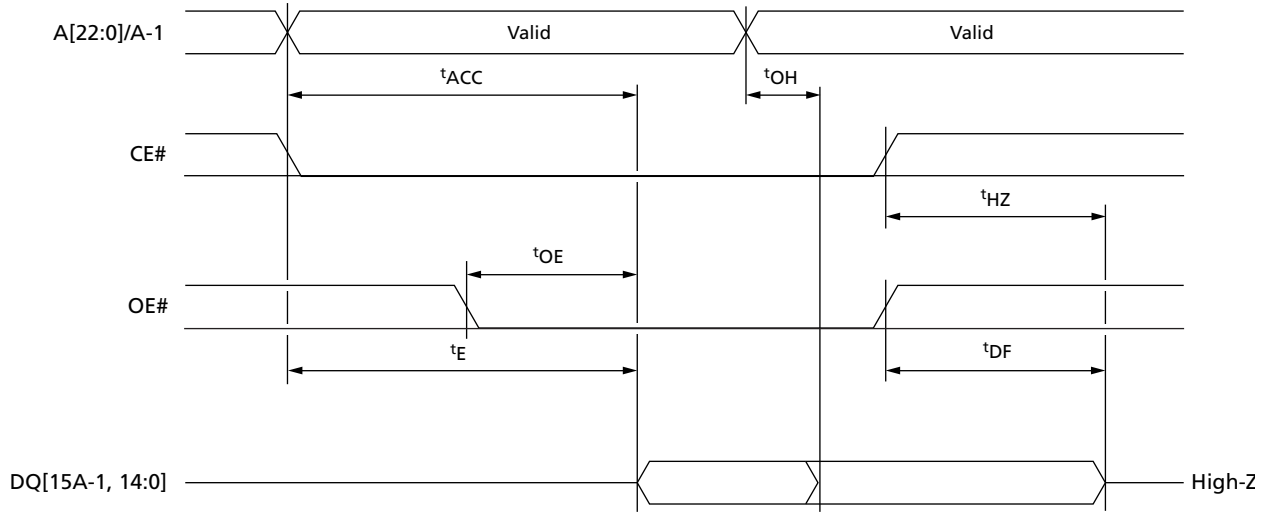
## Read AC Characteristics

**Table 28: Read AC Characteristics**

| Parameter                                            | Symbol                              |                                                               | Condition                                        | 60ns <sup>1</sup><br>V <sub>CCQ</sub> = V <sub>CC</sub> |                                                  | 70ns<br>V <sub>CCQ</sub> = V <sub>CC</sub> |     | 80ns<br>V <sub>CCQ</sub> = 1.65V<br>to V <sub>CC</sub> |     | Unit | Notes |
|------------------------------------------------------|-------------------------------------|---------------------------------------------------------------|--------------------------------------------------|---------------------------------------------------------|--------------------------------------------------|--------------------------------------------|-----|--------------------------------------------------------|-----|------|-------|
|                                                      | Legacy                              | JEDEC                                                         |                                                  | Min                                                     | Max                                              | Min                                        | Max | Min                                                    | Max |      |       |
|                                                      | Address valid to next address valid | <sup>t</sup> RC                                               |                                                  | <sup>t</sup> AVAV                                       | CE# = V <sub>IL</sub> ,<br>OE# = V <sub>IL</sub> | 60                                         | –   | 70                                                     | –   |      |       |
| Address valid to output valid                        | <sup>t</sup> ACC                    | <sup>t</sup> AVQV                                             | CE# = V <sub>IL</sub> ,<br>OE# = V <sub>IL</sub> | –                                                       | 60                                               | –                                          | 70  | –                                                      | 80  | ns   |       |
| Address valid to output valid (page)                 | <sup>t</sup> PAGE                   | <sup>t</sup> AVQV1                                            | CE# = V <sub>IL</sub> ,<br>OE# = V <sub>IL</sub> | –                                                       | 25                                               | –                                          | 25  | –                                                      | 30  | ns   |       |
| CE# LOW to output transition                         | <sup>t</sup> LZ                     | <sup>t</sup> ELQX                                             | OE# = V <sub>IL</sub>                            | 0                                                       | –                                                | 0                                          | –   | 0                                                      | –   | ns   | 2     |
| CE# LOW to output valid                              | <sup>t</sup> E                      | <sup>t</sup> ELQV                                             | OE# = V <sub>IL</sub>                            | –                                                       | 60                                               | –                                          | 70  | –                                                      | 80  | ns   |       |
| OE# LOW to output transition                         | <sup>t</sup> OLZ                    | <sup>t</sup> GLQX                                             | CE# = V <sub>IL</sub>                            | 0                                                       | –                                                | 0                                          | –   | 0                                                      | –   | ns   | 2     |
| OE# LOW to output valid                              | <sup>t</sup> OE                     | <sup>t</sup> GLQV                                             | CE# = V <sub>IL</sub>                            | –                                                       | 25                                               | –                                          | 25  | –                                                      | 30  | ns   |       |
| CE# HIGH to output High-Z                            | <sup>t</sup> HZ                     | <sup>t</sup> EHQZ                                             | OE# = V <sub>IL</sub>                            | –                                                       | 20                                               | –                                          | 20  | –                                                      | 30  | ns   | 2     |
| OE# HIGH to output High-Z                            | <sup>t</sup> DF                     | <sup>t</sup> GHQZ                                             | CE# = V <sub>IL</sub>                            | –                                                       | 20                                               | –                                          | 20  | –                                                      | 20  | ns   | 2     |
| CE#, OE#, or address transition to output transition | <sup>t</sup> OH                     | <sup>t</sup> EHQX,<br><sup>t</sup> GHQX,<br><sup>t</sup> AXQX | –                                                | 0                                                       | –                                                | 0                                          | –   | 0                                                      | –   | ns   |       |
| CE# to BYTE# LOW                                     | <sup>t</sup> ELFL                   | <sup>t</sup> ELBL                                             | –                                                | –                                                       | 5                                                | –                                          | 5   | –                                                      | 5   | ns   |       |
| CE# to BYTE# HIGH                                    | <sup>t</sup> ELFH                   | <sup>t</sup> ELBH                                             | –                                                | –                                                       | 5                                                | –                                          | 5   | –                                                      | 5   | ns   |       |
| BYTE# LOW to output High-Z                           | <sup>t</sup> FLQZ                   | <sup>t</sup> BLQZ                                             | –                                                | –                                                       | 25                                               | –                                          | 25  | –                                                      | 25  | ns   |       |
| BYTE# HIGH to output valid                           | <sup>t</sup> FHQV                   | <sup>t</sup> BHQV                                             | –                                                | –                                                       | 30                                               | –                                          | 30  | –                                                      | 30  | ns   |       |

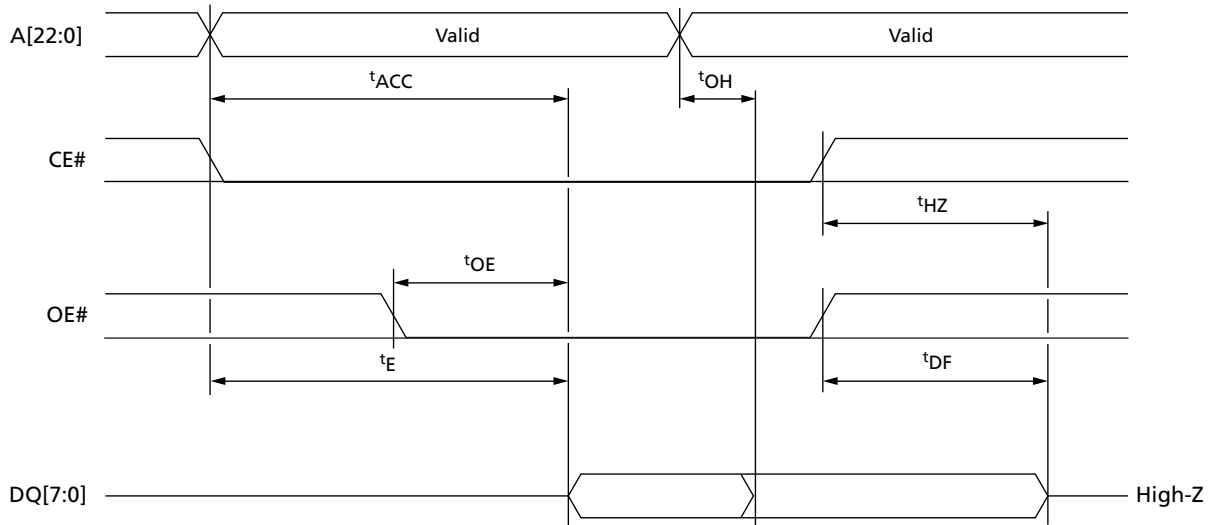
- Notes: 1. Only available upon customer request.  
2. Sampled only; not 100% tested.

**Figure 17: Random Read AC Timing (8-Bit Mode)**



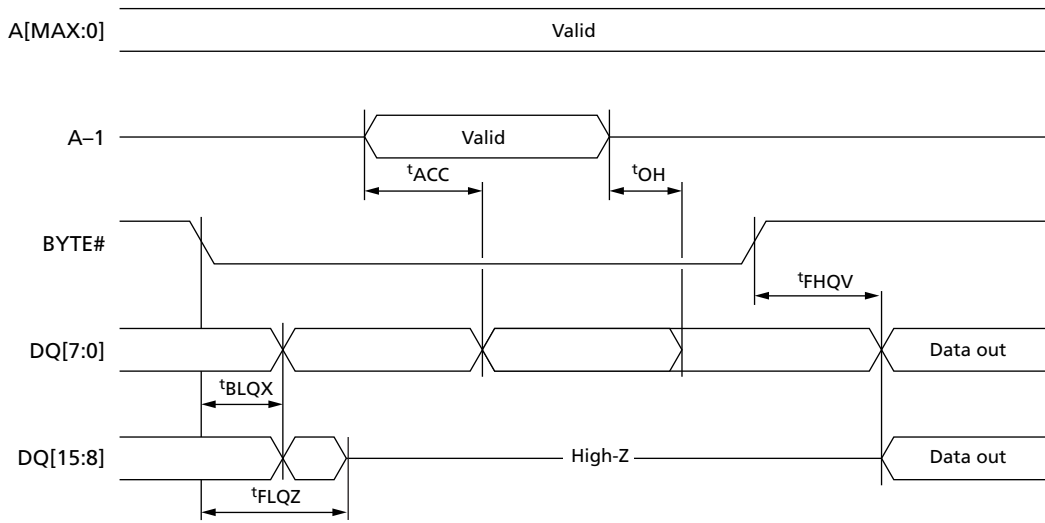
Note: 1. BYTE# =  $V_{IL}$

**Figure 18: Random Read AC Timing (16-Bit Mode)**



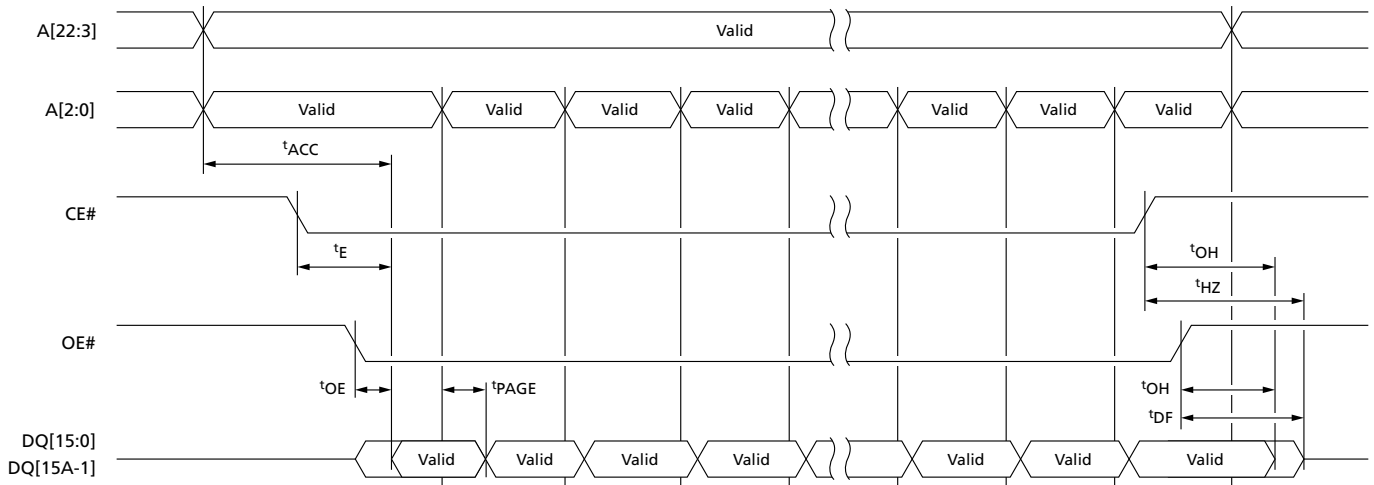
Note: 1. BYTE# =  $V_{IH}$

**Figure 19: BYTE Transition AC Timing**



Note: 1. CE# and OE# =  $V_{IL}$

**Figure 20: Page Read AC Timing (16-Bit Mode)**



## Write AC Characteristics

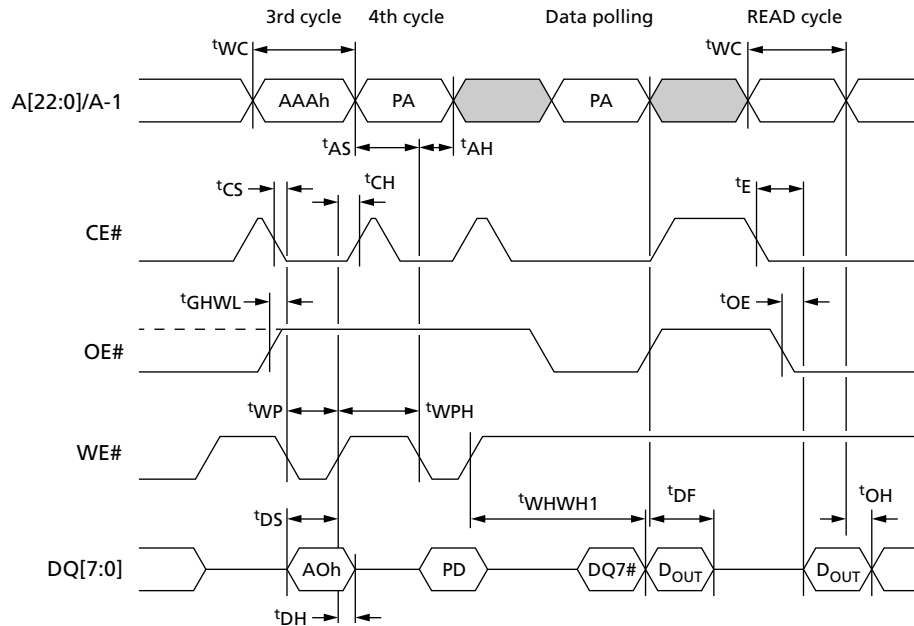
**Table 29: WE#-Controlled Write AC Characteristics**

| Parameter                           | Symbol            |                    | 60ns <sup>1</sup><br>V <sub>CCQ</sub> = V <sub>CC</sub> |     | 70ns<br>V <sub>CCQ</sub> = V <sub>CC</sub> |     | 80ns<br>V <sub>CCQ</sub> = 1.65V<br>to V <sub>CC</sub> |     | Unit | Notes |
|-------------------------------------|-------------------|--------------------|---------------------------------------------------------|-----|--------------------------------------------|-----|--------------------------------------------------------|-----|------|-------|
|                                     | Legacy            | JEDEC              | Min                                                     | Max | Min                                        | Max | Min                                                    | Max |      |       |
| Address valid to next address valid | t <sup>WC</sup>   | t <sup>AVAV</sup>  | 65                                                      | –   | 70                                         | –   | 80                                                     | –   | ns   |       |
| CE# LOW to WE# LOW                  | t <sup>CS</sup>   | t <sup>ELWL</sup>  | 0                                                       | –   | 0                                          | –   | 0                                                      | –   | ns   |       |
| WE# LOW to WE# HIGH                 | t <sup>WP</sup>   | t <sup>WLWH</sup>  | 35                                                      | –   | 35                                         | –   | 35                                                     | –   | ns   |       |
| Input valid to WE# HIGH             | t <sup>DS</sup>   | t <sup>DVWH</sup>  | 45                                                      | –   | 45                                         | –   | 45                                                     | –   | ns   | 2     |
| WE# HIGH to input transition        | t <sup>DH</sup>   | t <sup>WHDX</sup>  | 0                                                       | –   | 0                                          | –   | 0                                                      | –   | ns   |       |
| WE# HIGH to CE# HIGH                | t <sup>CH</sup>   | t <sup>WHEH</sup>  | 0                                                       | –   | 0                                          | –   | 0                                                      | –   | ns   |       |
| WE# HIGH to WE# LOW                 | t <sup>WPH</sup>  | t <sup>WHWL</sup>  | 30                                                      | –   | 30                                         | –   | 30                                                     | –   | ns   |       |
| Address valid to WE# LOW            | t <sup>AS</sup>   | t <sup>AVWL</sup>  | 0                                                       | –   | 0                                          | –   | 0                                                      | –   | ns   |       |
| WE# LOW to address transition       | t <sup>AH</sup>   | t <sup>WLAX</sup>  | 45                                                      | –   | 45                                         | –   | 45                                                     | –   | ns   |       |
| OE# HIGH to WE# LOW                 | –                 | t <sup>GHWL</sup>  | 0                                                       | –   | 0                                          | –   | 0                                                      | –   | ns   |       |
| WE# HIGH to OE# LOW                 | t <sup>OEH</sup>  | t <sup>WHGL</sup>  | 0                                                       | –   | 0                                          | –   | 0                                                      | –   | ns   |       |
| Program/erase valid to RY/BY# LOW   | t <sup>BUSY</sup> | t <sup>WHRL</sup>  | –                                                       | 30  | –                                          | 30  | –                                                      | 30  | ns   | 2     |
| V <sub>CC</sub> HIGH to CE# LOW     | t <sup>VCS</sup>  | t <sup>VCHEL</sup> | 50                                                      | –   | 50                                         | –   | 50                                                     | –   | μs   |       |

- Notes: 1. Only available upon customer request.  
2. Sampled only; not 100% tested.

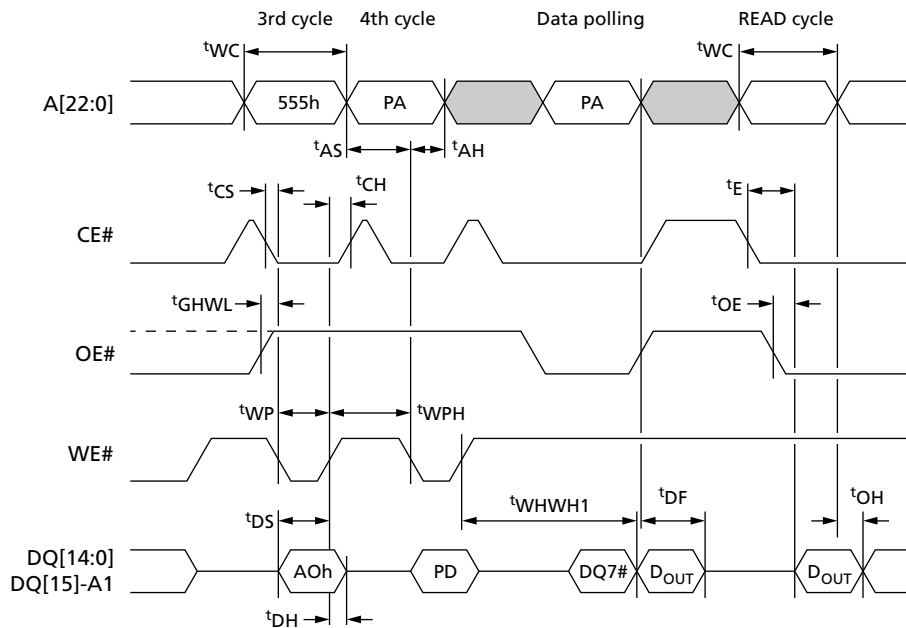


**Figure 21: WE#-Controlled Program AC Timing (8-Bit Mode)**



- Notes:
1. Only the third and fourth cycles of the PROGRAM command are represented. The PROGRAM command is followed by checking of the status register data polling bit and by a READ operation that outputs the data (D<sub>OUT</sub>) programmed by the previous PROGRAM command.
  2. PA is the address of the memory location to be programmed. PD is the data to be programmed.
  3. DQ7 is the complement of the data bit being programmed to DQ7 (See Data Polling Bit [DQ7]).
  4. See the following tables for timing details: Read AC Characteristics, WE#-Controlled Write AC Characteristics, and CE#-Controlled Write AC Characteristics.

**Figure 22: WE#-Controlled Program AC Timing (16-Bit Mode)**



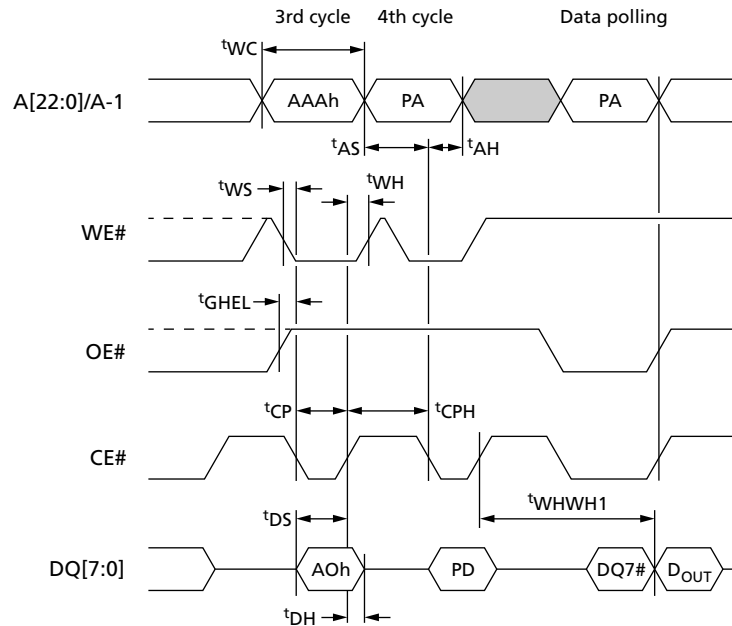
- Notes:
1. Only the third and fourth cycles of the PROGRAM command are represented. The PROGRAM command is followed by checking of the status register data polling bit and by a READ operation that outputs the data (D<sub>OUT</sub>) programmed by the previous PROGRAM command.
  2. PA is the address of the memory location to be programmed. PD is the data to be programmed.
  3. DQ7 is the complement of the data bit being programmed to DQ7 (See Data Polling Bit [DQ7]).
  4. See the following tables for timing details: Read AC Characteristics, WE#-Controlled Write AC Characteristics, and CE#-Controlled Write AC Characteristics.

**Table 30: CE#-Controlled Write AC Characteristics**

| Parameter                           | Symbol           |                   | 60ns <sup>1</sup><br>V <sub>CCQ</sub> = V <sub>CC</sub> |     | 70ns<br>V <sub>CCQ</sub> = V <sub>CC</sub> |     | 80ns<br>V <sub>CCQ</sub> = 1.65V to<br>V <sub>CC</sub> |     | Unit |
|-------------------------------------|------------------|-------------------|---------------------------------------------------------|-----|--------------------------------------------|-----|--------------------------------------------------------|-----|------|
|                                     | Legacy           | JEDEC             | Min                                                     | Max | Min                                        | Max | Min                                                    | Max |      |
| Address valid to next address valid | t <sup>WC</sup>  | t <sup>AVAV</sup> | 65                                                      | –   | 70                                         | –   | 80                                                     | –   | ns   |
| WE# LOW to CE# LOW                  | t <sup>WS</sup>  | t <sup>WLEL</sup> | 0                                                       | –   | 0                                          | –   | 0                                                      | –   | ns   |
| CE# LOW to CE# HIGH                 | t <sup>CP</sup>  | t <sup>ELEH</sup> | 35                                                      | –   | 35                                         | –   | 35                                                     | –   | ns   |
| Input valid to CE# HIGH             | t <sup>DS</sup>  | t <sup>DVEH</sup> | 45                                                      | –   | 45                                         | –   | 45                                                     | –   | ns   |
| CE# HIGH to input transition        | t <sup>DH</sup>  | t <sup>EHDX</sup> | 0                                                       | –   | 0                                          | –   | 0                                                      | –   | ns   |
| CE# HIGH to WE# HIGH                | t <sup>WH</sup>  | t <sup>EHWH</sup> | 0                                                       | –   | 0                                          | –   | 0                                                      | –   | ns   |
| CE# HIGH to CE# LOW                 | t <sup>CPH</sup> | t <sup>EHEL</sup> | 30                                                      | –   | 30                                         | –   | 30                                                     | –   | ns   |
| Address valid to CE# LOW            | t <sup>AS</sup>  | t <sup>AVEL</sup> | 0                                                       | –   | 0                                          | –   | 0                                                      | –   | ns   |
| CE# LOW to address transition       | t <sup>AH</sup>  | t <sup>ELAX</sup> | 45                                                      | –   | 45                                         | –   | 45                                                     | –   | ns   |
| OE# HIGH to CE# LOW                 | –                | t <sup>GHEL</sup> | 0                                                       | –   | 0                                          | –   | 0                                                      | –   | ns   |

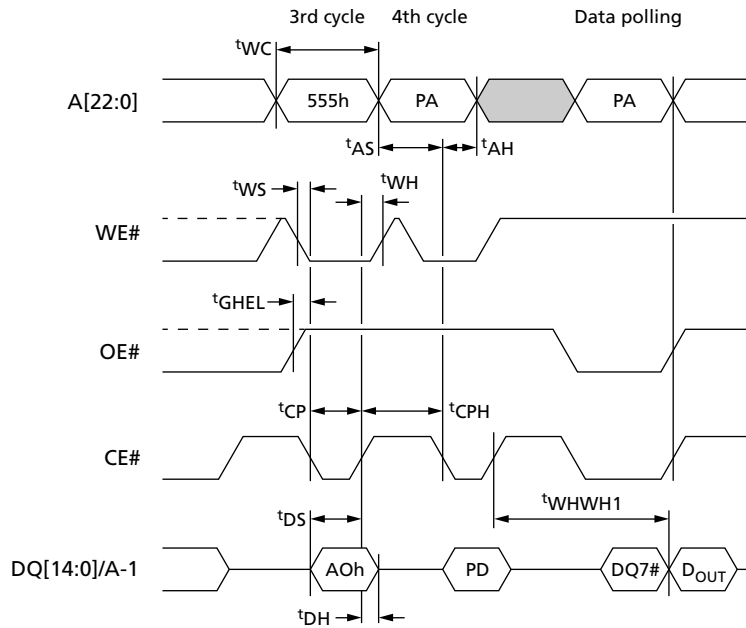
Note: 1. Only available upon customer request.

**Figure 23: CE#-Controlled Program AC Timing (8-Bit Mode)**



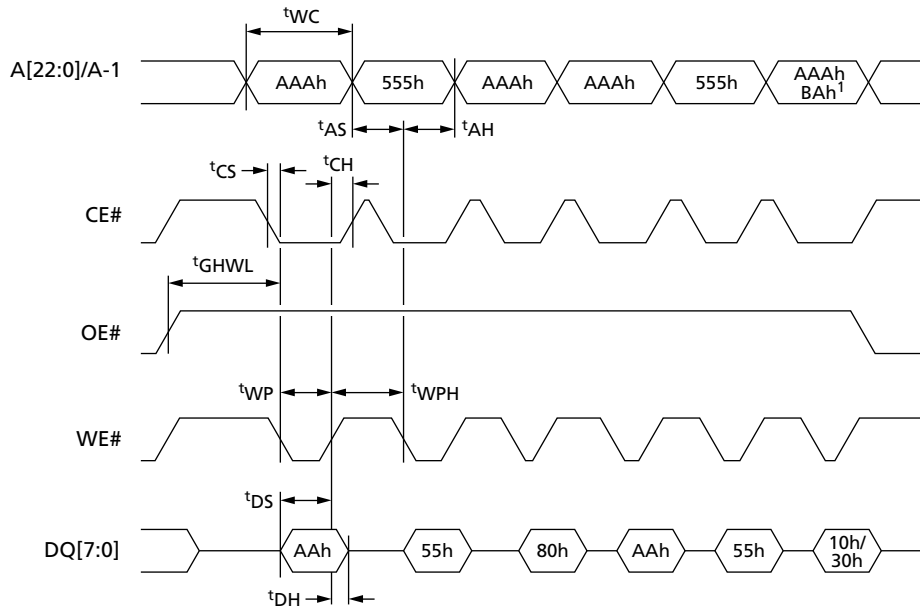
- Notes:
1. Only the third and fourth cycles of the PROGRAM command are represented. The PROGRAM command is followed by checking of the status register data polling bit.
  2. PA is the address of the memory location to be programmed. PD is the data to be programmed.
  3. DQ7 is the complement of the data bit being programmed to DQ7 (See Data Polling Bit [DQ7]).
  4. See the following tables for timing details: Read AC Characteristics, WE#-Controlled Write AC Characteristics, and CE#-Controlled Write AC Characteristics.

**Figure 24: CE#-Controlled Program AC Timing (16-Bit Mode)**



- Notes:
1. Only the third and fourth cycles of the PROGRAM command are represented. The PROGRAM command is followed by checking of the status register data polling bit.
  2. PA is the address of the memory location to be programmed. PD is the data to be programmed.
  3. DQ7 is the complement of the data bit being programmed to DQ7 (See Data Polling Bit [DQ7]).
  4. See the following tables for timing details: Read AC Characteristics, WE#-Controlled Write AC Characteristics, and CE#-Controlled Write AC Characteristics.

**Figure 25: Chip/Block Erase AC Timing (8-Bit Mode)**



- Notes:
1. For a CHIP ERASE command, addresses and data are AAAh and 10h, respectively, while they are BAh and 30h for a BLOCK ERASE command.
  2. BAh is the block address.
  3. See the following tables for timing details: Read AC Characteristics, WE#-Controlled Write AC Characteristics, and CE#-Controlled Write AC Characteristics.

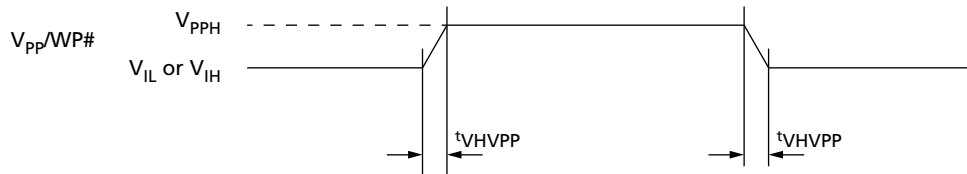
## Accelerated Program, Data Polling/Toggle AC Characteristics

**Table 31: Accelerated Program and Data Polling/Data Toggle AC Characteristics**

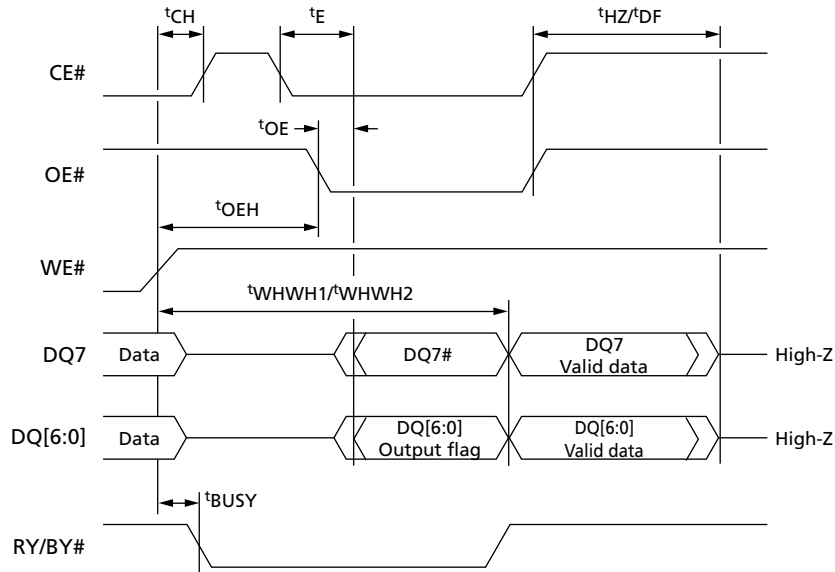
| Parameter                                               | Symbol            |                                        | 60ns <sup>1</sup> , 70ns, 80ns |     | Unit |
|---------------------------------------------------------|-------------------|----------------------------------------|--------------------------------|-----|------|
|                                                         | Legacy            | JEDEC                                  | Min                            | Max |      |
| V <sub>pp</sub> /WP# rising or falling time             | –                 | <sup>t</sup> VHVPP                     | 250                            | –   | ns   |
| Address setup time to OE# LOW during toggle bit polling | <sup>t</sup> ASO  | <sup>t</sup> AXGL                      | 10                             | –   | ns   |
| Address hold time from OE# during toggle bit polling    | <sup>t</sup> AHT  | <sup>t</sup> GHAX, <sup>t</sup> EHAX   | 10                             | –   | ns   |
| CE# HIGH during toggle bit polling                      | <sup>t</sup> EPH  | <sup>t</sup> EHEL2                     | 10                             | –   | ns   |
| Output hold time during data and toggle bit polling     | <sup>t</sup> OEH  | <sup>t</sup> WHGL2, <sup>t</sup> GHGL2 | 20                             | –   | ns   |
| Program/erase valid to RY/BY# LOW                       | <sup>t</sup> BUSY | <sup>t</sup> WHRL                      | –                              | 30  | ns   |

Note: 1. Only available upon customer request.

**Figure 26: Accelerated Program AC Timing**

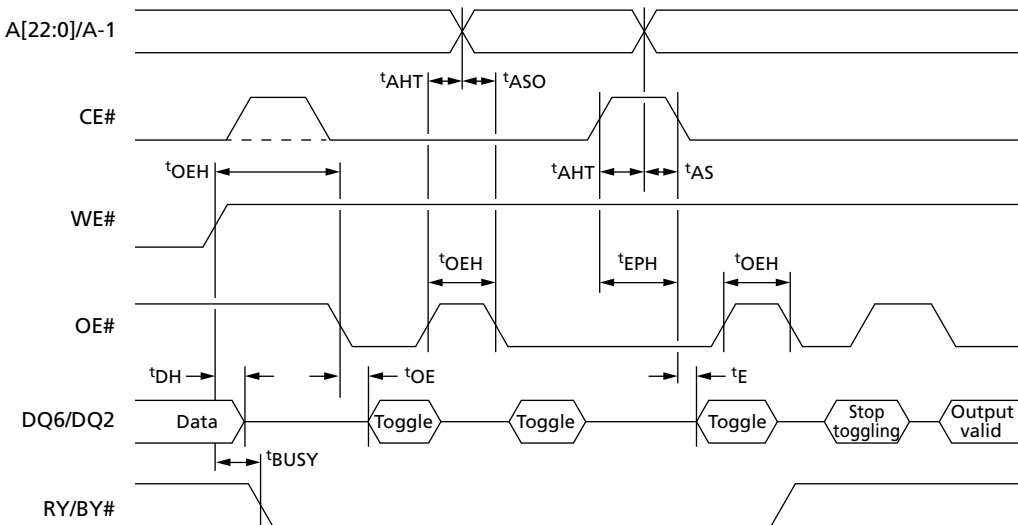


**Figure 27: Data Polling AC Timing**



- Notes: 1. DQ7 returns a valid data bit when the PROGRAM or ERASE command has completed.  
2. See the following tables for timing details: Read AC Characteristics, Accelerated Program and Data Polling/Data Toggle AC Characteristics.

**Figure 28: Toggle/Alternative Toggle Bit Polling AC Timing (8-Bit Mode)**



- Notes: 1. DQ6 stops toggling when the PROGRAM or ERASE command has completed. DQ2 stops toggling when the CHIP ERASE or BLOCK ERASE command has completed.  
2. See the following tables for timing details: Read AC Characteristics, Accelerated Program and Data Polling/Data Toggle AC Characteristics.



## Program/Erase Characteristics

**Table 32: Program/Erase Characteristics**

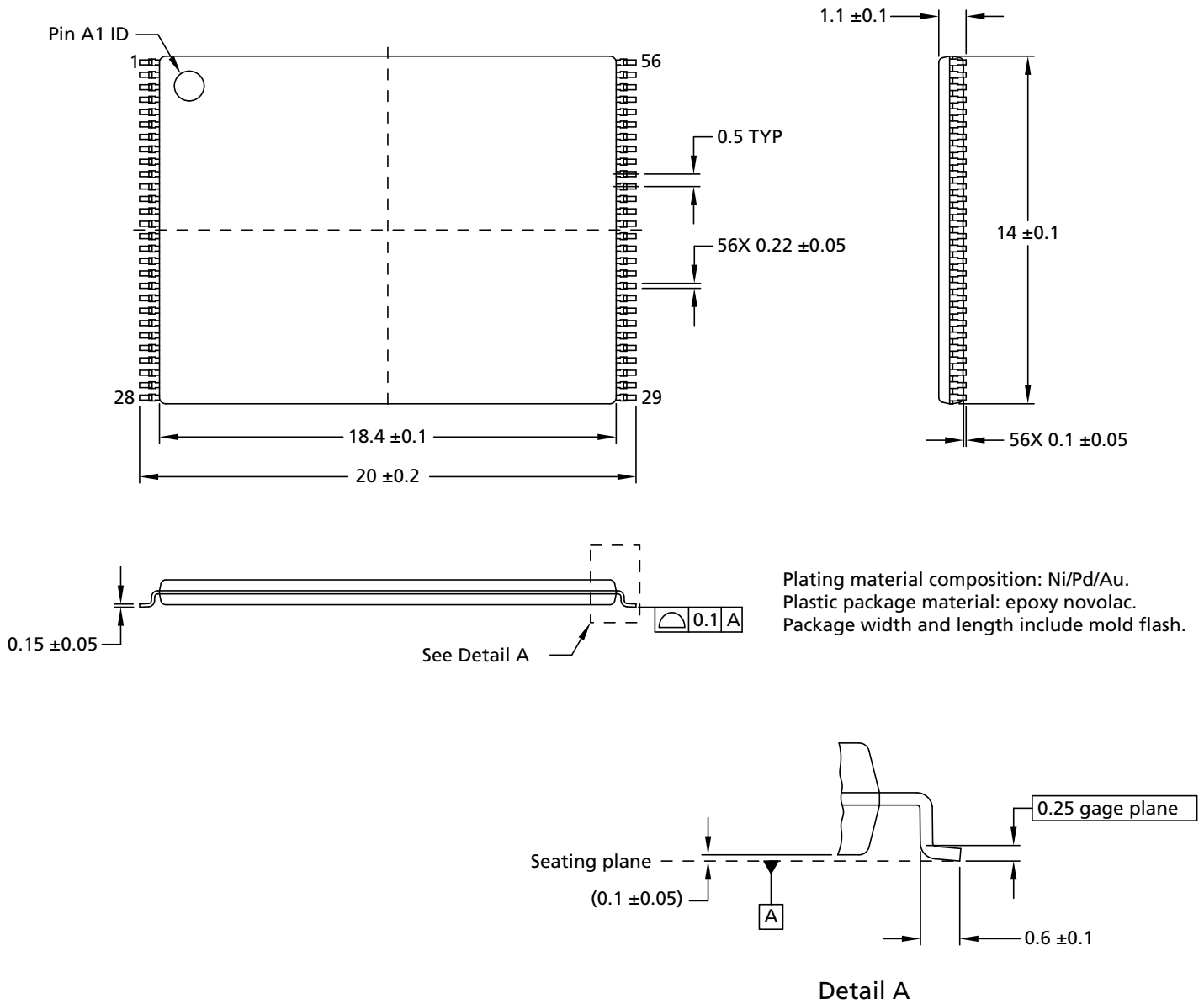
Notes 1 and 2 apply to the entire table

| Parameter                                                              |                                                 | Min                     | Typ | Max | Unit   | Notes |
|------------------------------------------------------------------------|-------------------------------------------------|-------------------------|-----|-----|--------|-------|
| Chip erase                                                             |                                                 | –                       | 40  | 400 | s      | 3     |
| Block erase (128KB)                                                    |                                                 | –                       | 0.5 | 2   | s      | 4     |
| Erase suspend latency time                                             |                                                 | –                       | 25  | 45  | μs     |       |
| Block erase timeout                                                    |                                                 | 50                      | –   | –   | μs     |       |
| Byte program                                                           | Single-byte program                             | –                       | 16  | 200 | μs     | 3     |
|                                                                        | Write to buffer program<br>(64 bytes at a time) | $V_{PP}/WP\# = V_{PPH}$ | –   | 51  | 200    | μs    |
| $V_{PP}/WP\# = V_{IH}$                                                 |                                                 | –                       | 78  | 200 | μs     | 3     |
| Word program                                                           | Single-word program                             | –                       | 16  | 200 | μs     | 3     |
|                                                                        | Write to buffer program<br>(32 words at a time) | $V_{PP}/WP\# = V_{PPH}$ | –   | 51  | 200    | μs    |
| $V_{PP}/WP\# = V_{IH}$                                                 |                                                 | –                       | 78  | 200 | μs     | 3     |
| Chip program (byte by byte)                                            |                                                 | –                       | 270 | 800 | s      | 3     |
| Chip program (word by word)                                            |                                                 | –                       | 135 | 400 | s      | 3     |
| Chip program (write to buffer program)                                 |                                                 | –                       | 20  | 200 | s      | 3, 5  |
| Chip program (write to buffer program with $V_{PP}/WP\# = V_{PPH}$ )   |                                                 | –                       | 13  | 50  | s      | 3, 5  |
| Chip program (enhanced buffered program)                               |                                                 | –                       | 8   | 40  | s      | 5     |
| Chip program (enhanced buffered program with $V_{PP}/WP\# = V_{PPH}$ ) |                                                 | –                       | 5   | 25  | s      | 5     |
| Program suspend latency time                                           |                                                 | –                       | 5   | 15  | μs     |       |
| PROGRAM/ERASE cycles (per block)                                       |                                                 | 100,000                 | –   | –   | cycles |       |
| Data retention                                                         |                                                 | 20                      | –   | –   | years  |       |

- Notes:
1. Typical values measured at room temperature and nominal voltages and for not cycled devices.
  2. Sampled, but not 100% tested.
  3. Maximum value measured at worst case conditions for both temperature and  $V_{CC}$  after 100,000 PROGRAM/ERASE cycles.
  4. Block erase polling cycle time (see Data polling AC waveforms figure).
  5. Intrinsic program timing, that means without the time required to execute the bus cycles to load the PROGRAM commands.

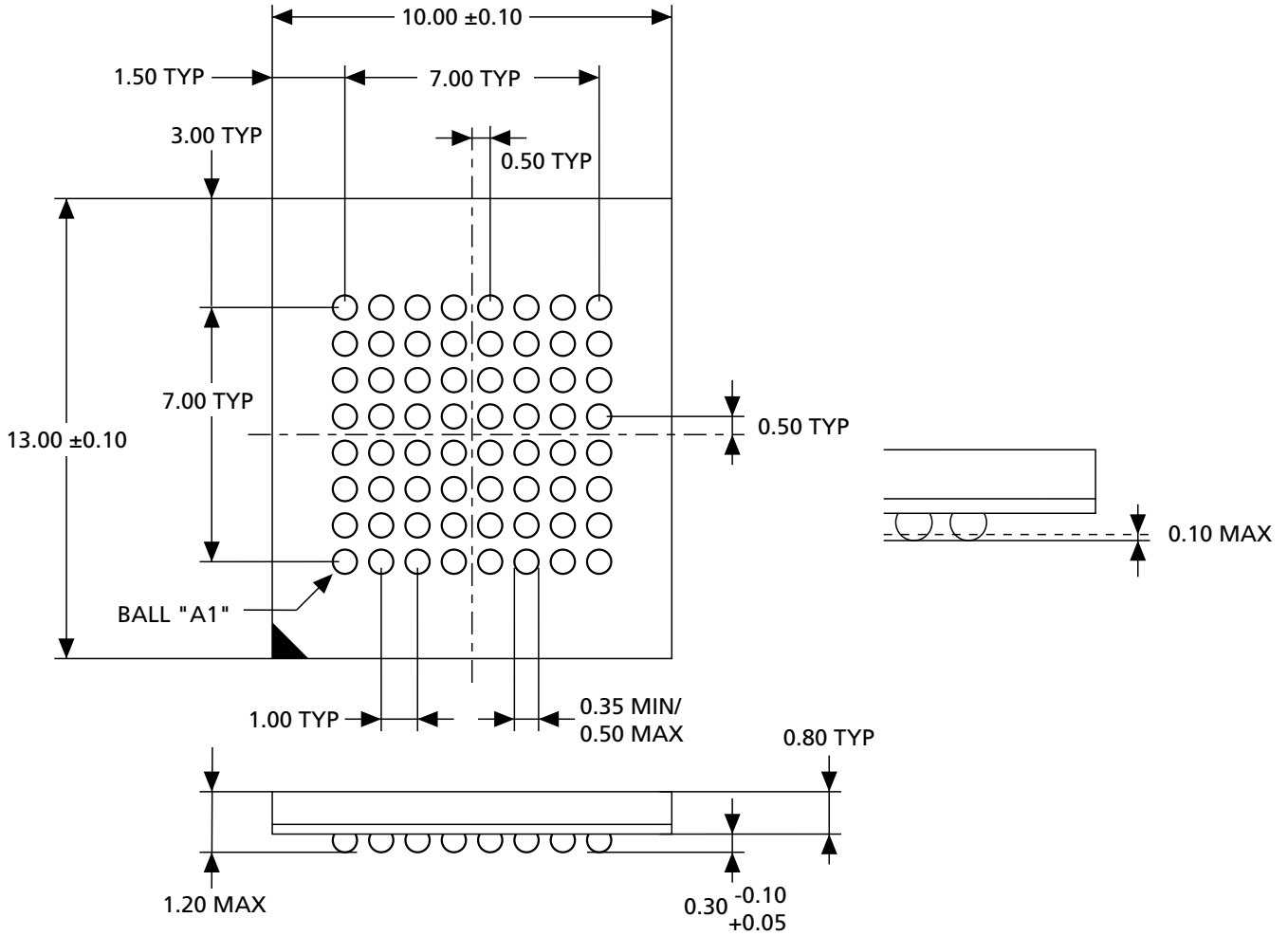
**Package Dimensions**

**Figure 29: 56-Pin TSOP – 14mm x 20mm**



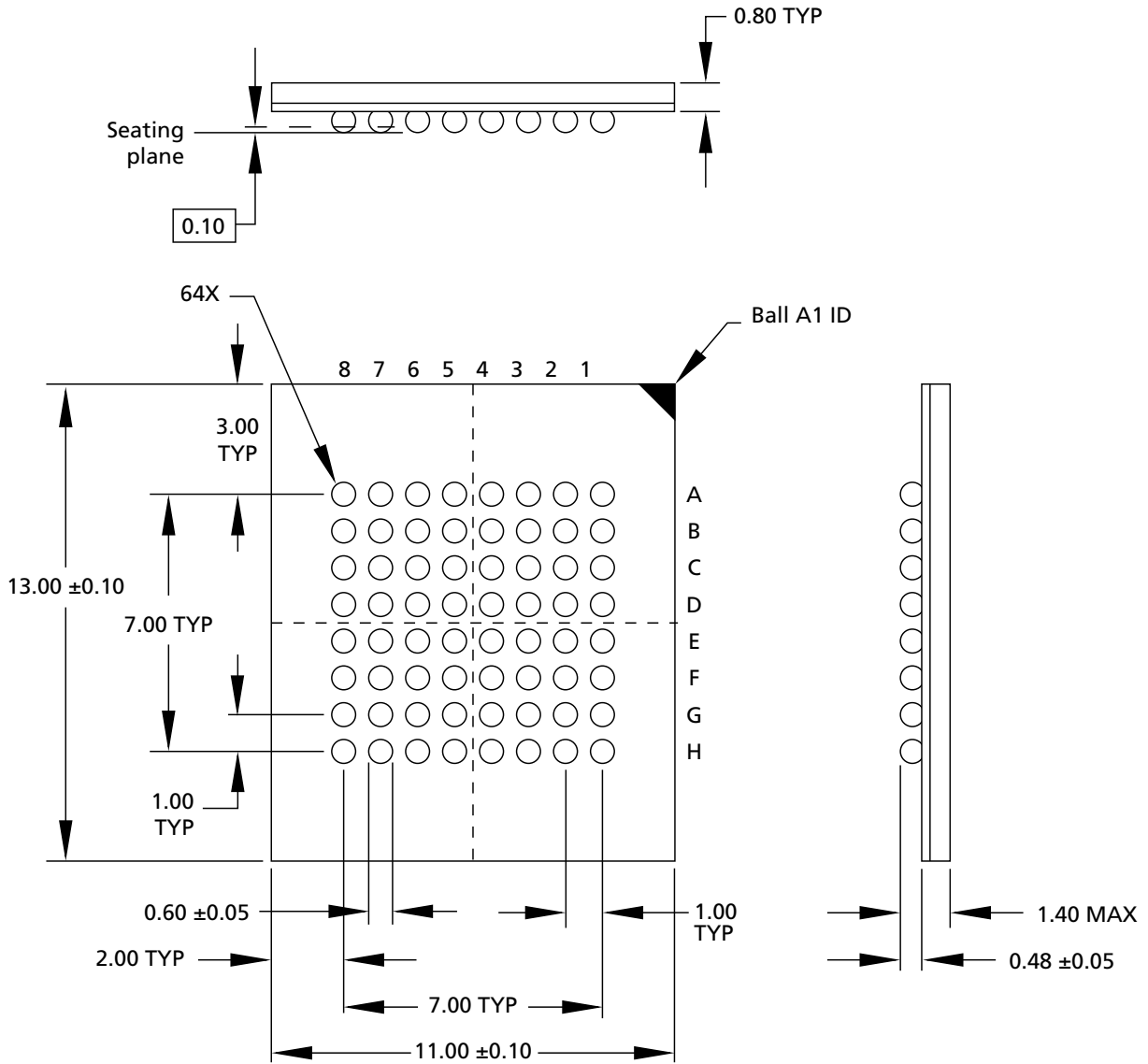
- Notes:
1. All dimensions are in millimeters.
  2. For the lead width value of 0.22 ± 0.05, there is also a legacy value of 0.15 ± 0.05.

**Figure 30: 64-Ball TBGA – 10mm x 13mm**



Note: 1. All dimensions are in millimeters.

**Figure 31: 64-Ball FBGA – 11mm x 13mm**



Note: 1. All dimensions are in millimeters.



## **Revision History**

### **Rev. B – 05/15**

- Updated TSOP package

### **Rev. A – 07/13**

- Initial Micron brand release

8000 S. Federal Way, P.O. Box 6, Boise, ID 83707-0006, Tel: 208-368-4000  
[www.micron.com/products/support](http://www.micron.com/products/support) Sales inquiries: 800-932-4992  
Micron and the Micron logo are trademarks of Micron Technology, Inc.  
All other trademarks are the property of their respective owners.

This data sheet contains minimum and maximum limits specified over the power supply and temperature range set forth herein. Although considered final, these specifications are subject to change, as further product development and data characterization sometimes occur.