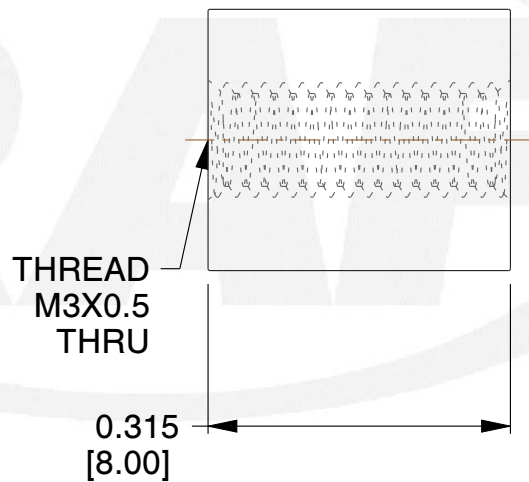
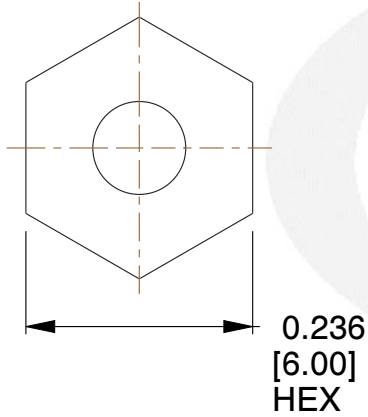
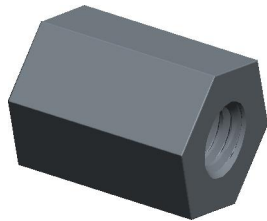



REV	CHANGE	DATE	DRN	CHK
	Drawn	12/28/16	SJ	T



TM

**NOTES:**

1. Material : Stainless Steel
2. Finish :
3. ASME Y14.5M - 2009
4. All Drawing Dimensions are in Inches [mm]
5. Unless otherwise specified; Edge Breaks, Radii or Countersinks 0.005-0.015

 95 Silvermine Rd., Seymour CT 06483 Tel: 203-888-2133, Fax: 203-888-9860	This Drawing is the Property of RAF. It contains confidential, proprietary information that is RAF property. Do not disclose to or duplicate for others except as authorized by RAF.	<b>TOLERANCES</b> ALL DIMENSIONS ARE INCHES (UNLESS OTHERWISE SPECIFIED) <u>METALLIC</u> LENGTHS <math>\leq 6</math> INCHES $\pm 0.005$ LENGTH > 6 INCHES $\pm 0.010$ DIAMETERS: $\pm 0.005$ <u>NON-METALLIC</u> LENGTH: $\pm 0.010$ DIAMETERS: $\pm 0.010$ <u>INTERNAL THREADS:</u> MINIMUM THREAD DEPTH	COMPONENT	STANDOFFS	
			<b>M1305-3005-SS</b>  6 MM HEX FEMALE STANDOFFS		<b>SCALE</b>
					5.00
					<b>SHEET</b>
			1 of 1		