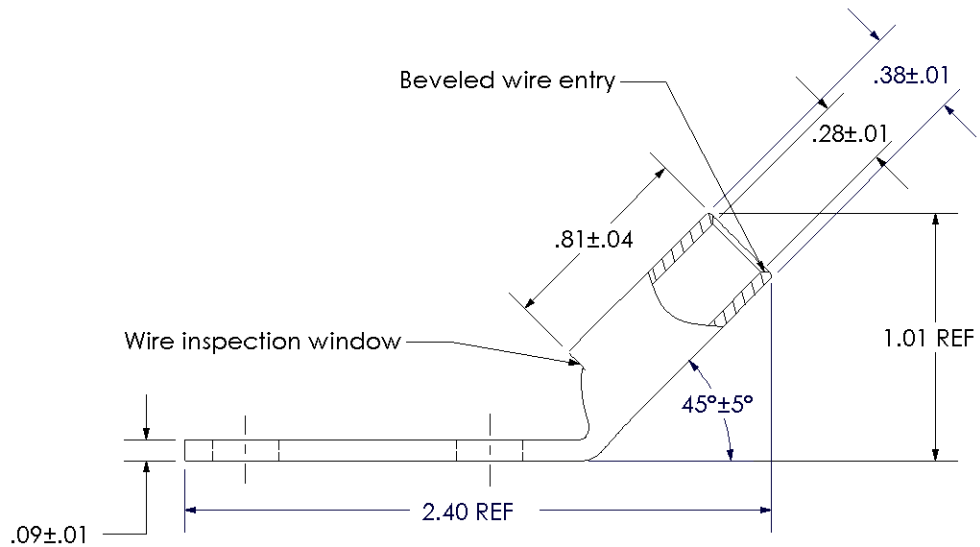
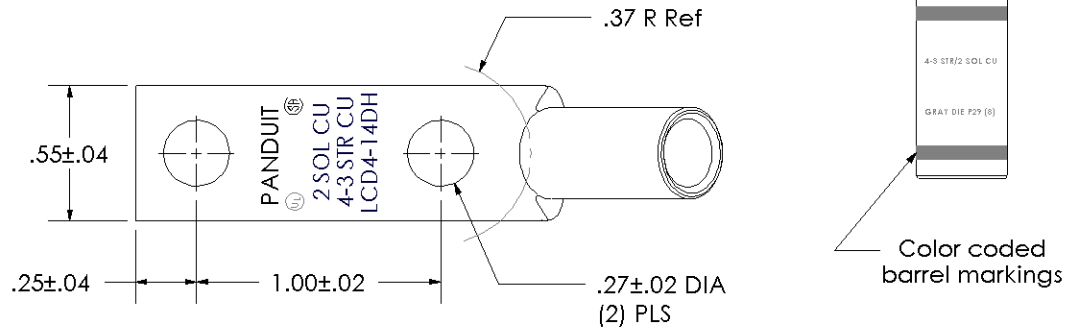


THIS COPY IS PROVIDED ON A RESTRICTED BASIS AND IS NOT TO BE USED IN ANY WAY DETRIMENTAL TO THE INTERESTS OF PANDUIT CORP.

|  |  |
|--|--|
| Material                                       | High Conductivity Seamless Copper Tube   |
| Plating  | Electro-Tin  |
| Wire Size                                      | 4 AWG, 3 AWG & 2 SOL   |
| Wire Type                                      | Stranded Copper; Class B: Compact, Compressed or Concentric, Class C: Concentric   |
| Wire Strip Length                              | 7/8 in.  |
| Stud Size                                      | 1/4 in.  |
| UL Listed Wire Connector                       | Yes, for applications up to 35kv. Consult cable manufacturer for voltage stress relief instructions with applications greater than 2000 volts. |
| UL Temperature Rating                          | 90° C  |
| C.S.A Certified Wire Connector                 | Yes  |
| Panduit Color Code on Barrel                   | GRAY   |
| Panduit Die Index No. on Barrel                | P29  |
| Alternate Industry Die Index No. ( ) on Barrel | (8)  |



CERTIFIED



LISTED  
Wire Connector

**PANDUIT CORP.** TINLEY PARK, ILLINOIS

LCD4-14DH-L  
Copper Lug - Two-Hole, Standard Barrel, 45° Angle Tongue

|    |      |     |     |   |       |
|----|------|-----|-----|---|-------|
| 01 | 2/03 | SAC | PWS | EXTENDED WIRE RANGE AND UPDATED STAMPS AND MARKINGS | 10543 |
|----|------|-----|-----|---|-------|

| REV | DATE | BY | CHK | DESCRIPTION | ECN | SCALE | DRAWING NO / CAD FILE |
|-----|------|----|-----|-------------|-----|-------|-----------------------|
|     |      |    |     |             |     | N/A   | LCD4-14DH-CUST        |