

1

2

3

4

5

6

7

A

A

B

B

C

C

D

D

E

E

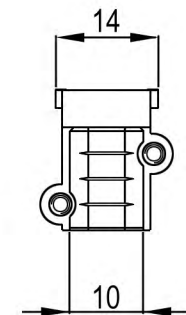
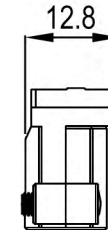
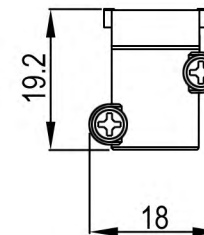
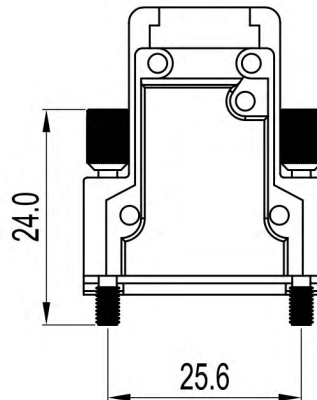
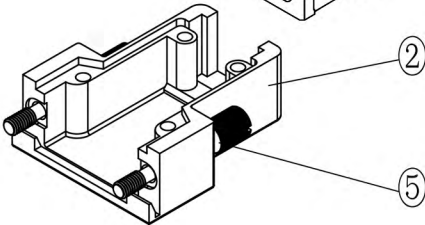
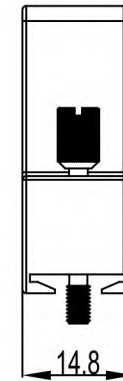
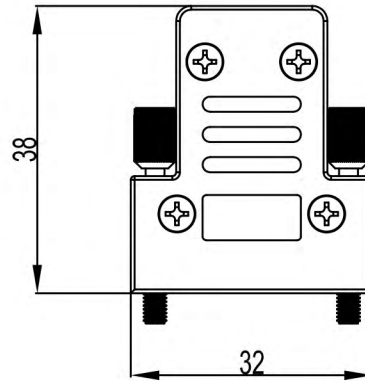
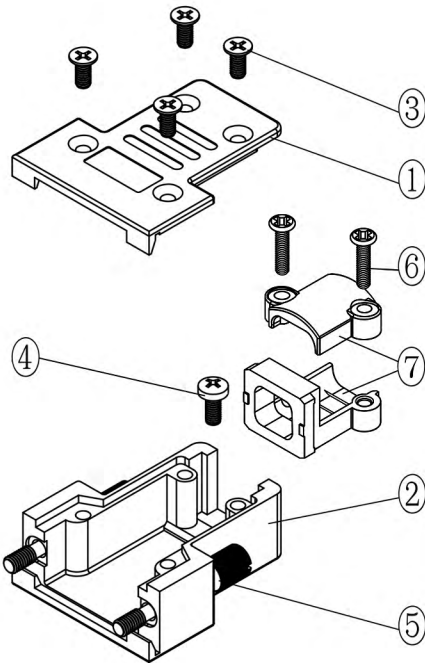
F

F

TECHNICAL SPECIFICATIONS

Material: Zinc
 Plating: Nickel over Copper
 Operating Temperature: -40°C to +120°C
 Thumbscrews: UNC 4-40

No. of contacts: 09-15-25



Item	QTY	Part description
1	1	Upper Cover
2	1	Lower Cover
3	4	M2.5x6 CSK Screw
4	1	M2.5x6 Pozi Screw
5	2	UNC 4-40x24 Jackscrew
6	2	M2.5x10 Screw
7	1	Cable Strain Relief

RoHS compliant
 Unit: mm

Scale	Free					Date	Name	Customer-No.
TOLERANCE						Drawn	17.08.2017	S.Bölling
0~6	±0.10					Approved	17.08.2017	S.Bölling
6~30	±0.20							
30~120	±0.30							
120~400	±0.50							
DIM	Tol							
Angle	±1°	©	Drawn	17.08.2017	S.Bölling			
Angle	Tol	Id.	Modification	Date	Name			

ASSMANN
 WSW components

Customer-No.
 ASSMANN WSW-No.
ACOV-SUB-09MB7

Drawing-No.
ASS_5248_CO rev00
 Replace
 Sheet 1/3

1

2

3

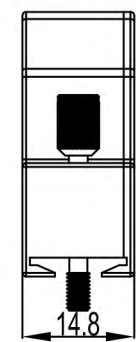
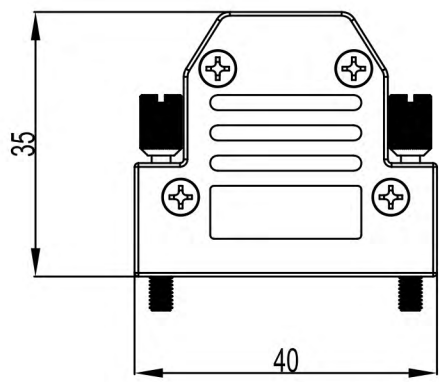
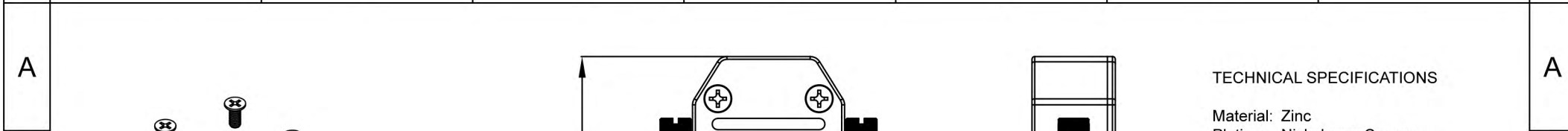
4

5

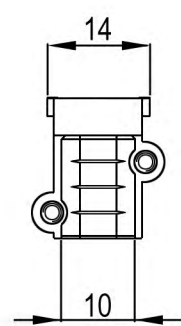
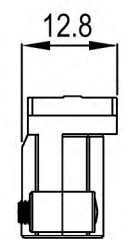
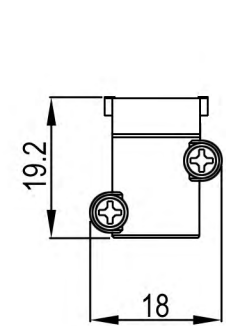
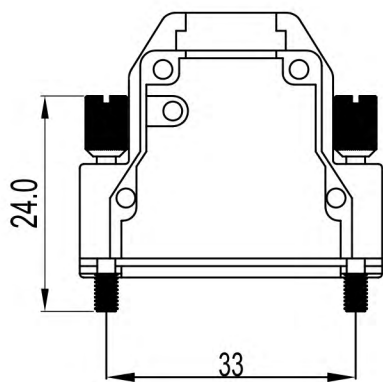
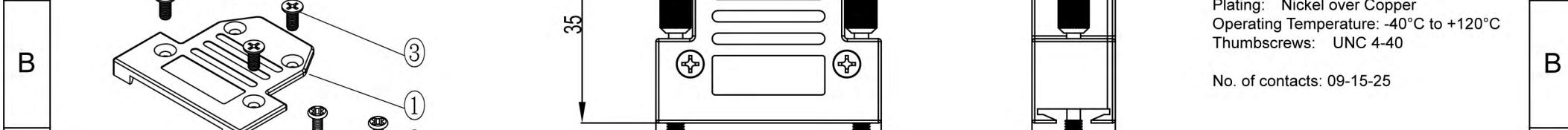
6

7

SV4382



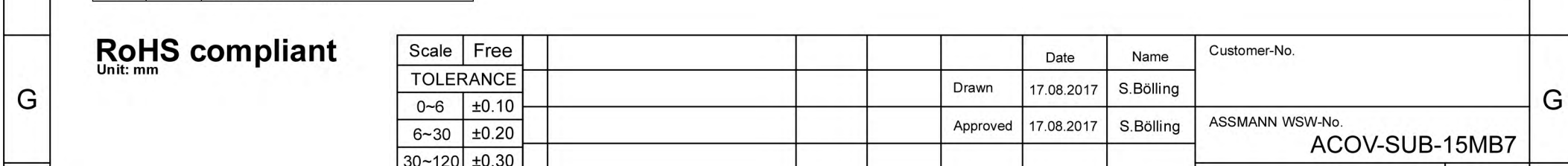
TECHNICAL SPECIFICATIONS
 Material: Zinc
 Plating: Nickel over Copper
 Operating Temperature: -40°C to +120°C
 Thumbscrews: UNC 4-40
 No. of contacts: 09-15-25

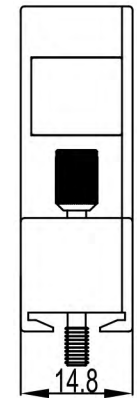
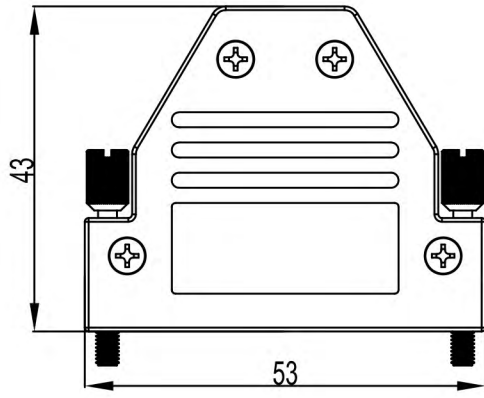
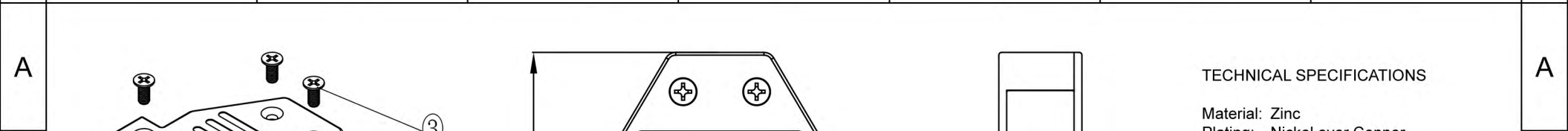


Item	QTY	Part description
1	1	Upper Cover
2	1	Lower Cover
3	4	M2.5x6 CSK Screw
4	1	M2.5x6 Pozi Screw
5	2	UNC 4-40x24 Jackscrew
6	2	M2.5x10 Screw
7	1	Cable Strain Relief

RoHS compliant
 Unit: mm

Scale	Free				Date	Name	Customer-No.
TOLERANCE					Drawn	17.08.2017	S.Bölling
0~6	±0.10				Approved	17.08.2017	S.Bölling
6~30	±0.20						
30~120	±0.30						
120~400	±0.50						
DIM	Tol						
Angle	±1°	©	Drawn	17.08.2017	S.Bölling	ASSMANN WSW components Drawing-No. ASS_5248_CO rev00 Replace Sheet 2/3	
Angle	Tol	Id.	Modification	Date	Name		

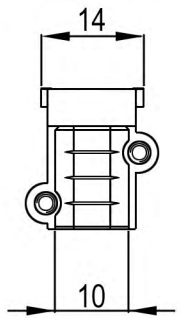
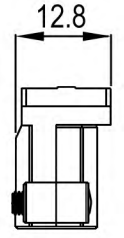
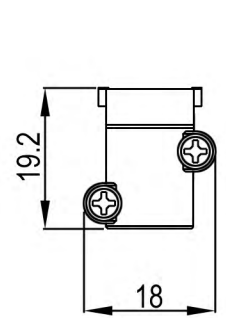
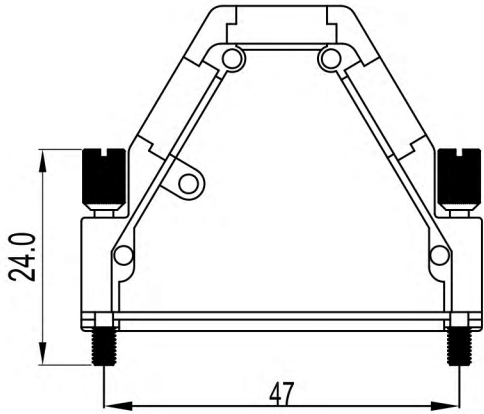
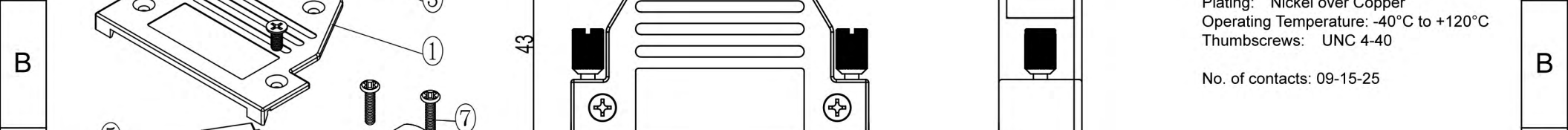




TECHNICAL SPECIFICATIONS

Material: Zinc
 Plating: Nickel over Copper
 Operating Temperature: -40°C to +120°C
 Thumbscrews: UNC 4-40

 No. of contacts: 09-15-25



Item	QTY	Part description
1	1	Upper Cover
2	1	Lower Cover
3	4	M2.5x6 CSK Screw
4	1	M2.5x6 Pozi Screw
5	2	Blanker
6	2	UNC 4-40x24 Jackscrew
7	2	M2.5x10 Screw
8	1	Cable Strain Relief

RoHS compliant
 Unit: mm

Scale	Free				Date	Name	Customer-No.
TOLERANCE					Drawn	17.08.2017	S.Bölling
0~6	±0.10				Approved	17.08.2017	S.Bölling
6~30	±0.20						
30~120	±0.30						
120~400	±0.50						
DIM	Tol						
Angle	±1°	Ⓢ	Drawn	17.08.2017	S.Bölling	ASSMANN WSW components Drawing-No. ASS_5248_CO rev00 Replace Sheet 3/3	
Angle	Tol	Id.	Modification	Date	Name		

