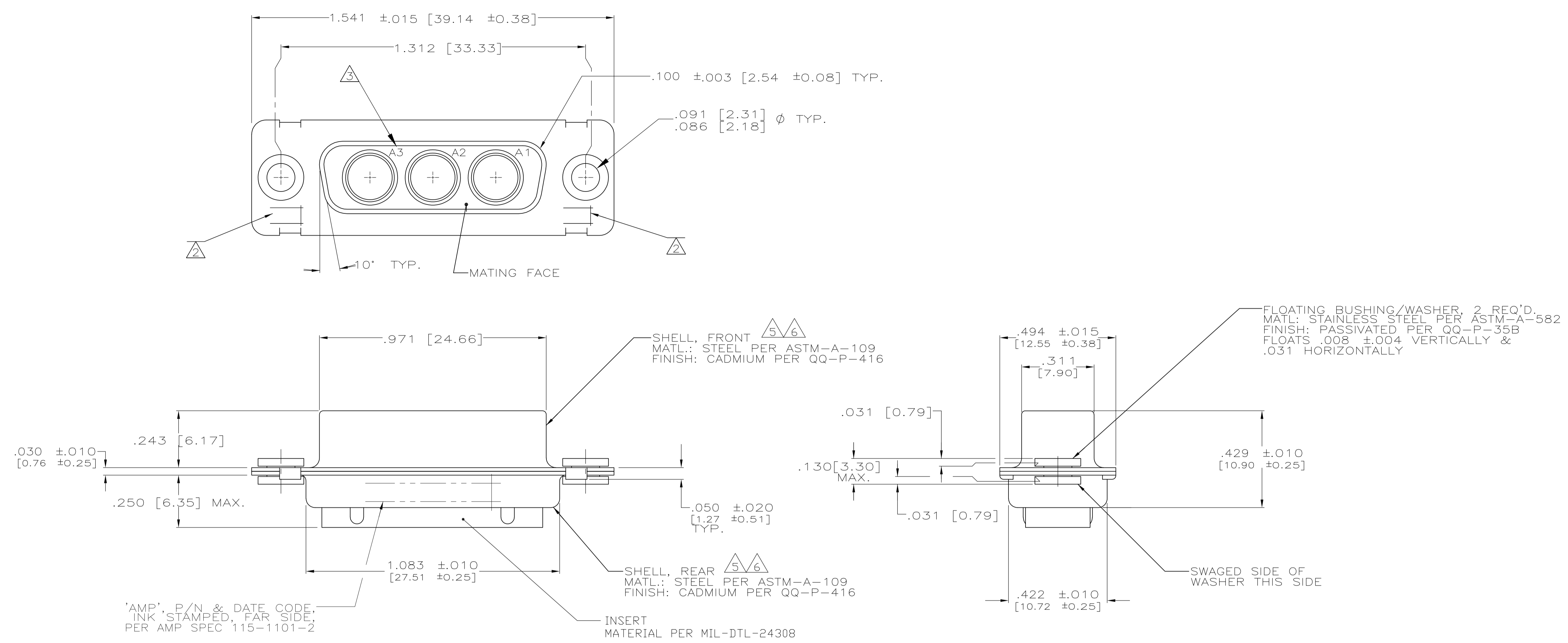


LOC		DIST		REVISIONS			
P	LTR	DESCRIPTION	DATE	DMN	APVD		
B		REV PER ECO 15-005928	5-12-15	CT	DM		



1. THIS RCPT. IS DESIGNED TO CONFORM TO THE LATEST ISSUE OF MIL-C-24308.
2. UL/CSA DESIGNATION STAMPED IN THIS AREA, OPTIONAL.
3. RAISED NUMBERS FOR IDENTIFICATION OF CIRCUIT HOLES.
4. CONTACTS NOT SUPPLIED WITH ASSEMBLY. CONTACTS TO BE PURCHASED SEPARATELY.
5. FINISH: CADMIUM PER QQ-P-416.
6. FINISH: ZINC PLATE PER ASTM-B-633 .000200-.000400 THK WITH SUPPLEMENTARY CHROMATE (Cr3+).

6	5-447718-1
AS SHOWN	447718-1
NOTES	PART NO

THIS DRAWING IS A CONTROLLED DOCUMENT.		DIN	2-11-91
DIMENSIONS: INCHES		CHK	
TOLERANCES UNLESS OTHERWISE SPECIFIED:		APVD	
0. PLC	$\pm$ -	PRODUCT SPEC	
1. PLC	$\pm$ -	APPLICATION SPEC	
2. PLC	$\pm$ -		
3. PLC	$\pm$ .005 [0.13]		
4. PLC	$\pm$ -		
ANGLES	$\pm$ -		
MATERIAL	FINISH	WEIGHT	
CUSTOMER DRAWING		SCALE	1:1
		SHEET	1 OF 1
		REV	B

**STE** TE Connectivity

NAME: RECEPTACLE ASSEMBLY, AMPLIMITE, 3C3, SIZE 2, SERIES 109, COAX, WITH FLOAT BUSHINGS

SIZE: A1  
 CAGE CODE: 00779  
 DRAWING NO: 447718