

PV string monitoring module - SCK-M-U-1500V - 2903591


Please be informed that the data shown in this PDF Document is generated from our Online Catalog. Please find the complete data in the user's documentation. Our General Terms of Use for Downloads are valid (<http://phoenixcontact.com/download>)



SCK measuring module for monitoring photovoltaic systems, 1 x voltage measurement up to 1500 V DC, 1 x analog output (2 ... 10 V)



Key Commercial Data

Packing unit	1 pc
GTIN	 4 046356 752398
GTIN	4046356752398

Technical data

Note

Utilization restriction	EMC: class A product, see manufacturer's declaration in the download area
-------------------------	---

Dimensions

Width	22.5 mm
Height	102 mm
Depth	128.5 mm

Ambient conditions

Ambient temperature (operation)	-20 °C ... 70 °C
Ambient temperature (storage/transport)	-40 °C ... 85 °C
Maximum altitude	≤ 2000 m
Permissible humidity (operation)	≤ 95 % (non-condensing)
Degree of protection	IP20
Noise immunity	EN 61000-6-2 When being exposed to interference, there may be minimal deviations.

Output data

Output name	Analog output
Voltage output signal	2 V DC ... 10 V DC

PV string monitoring module - SCK-M-U-1500V - 2903591

Technical data

Power supply

Nominal supply voltage	24 V DC -10 % ... +25 % (or via SSCK-M-I-8S-20A)
Own current consumption	8 mA (typical)
	65 mA (maximum)

Connection data

Connection method	Screw connection
Conductor cross section solid	0.2 mm ² ... 2.5 mm ²
Conductor cross section flexible	0.2 mm ² ... 2.5 mm ²
Conductor cross section AWG	24 ... 12
Torque	0.5 Nm ... 0.6 Nm

General

Electromagnetic compatibility	Conformance with EMC directive 2004/108/EC and for low-voltage directive 2006/95/EC
Noise emission	EN 61000-6-4
Noise immunity	EN 61000-6-2 When being exposed to interference, there may be minimal deviations.
Conformance	CE-compliant
UL, USA	1741 Recognized
UL, USA/Canada	508 Listed

Standards and Regulations

Electromagnetic compatibility	Conformance with EMC directive 2004/108/EC and for low-voltage directive 2006/95/EC
Noise emission	EN 61000-6-4
Connection in acc. with standard	UL
Standards/regulations	EN 61010-1
Degree of pollution	2
Conformance	CE-compliant
UL, USA	1741 Recognized
UL, USA/Canada	508 Listed

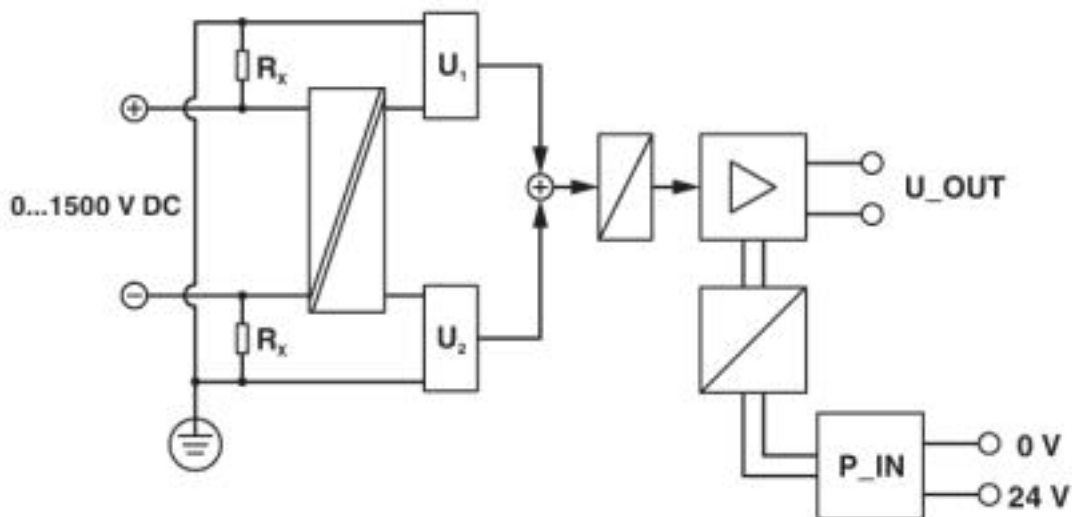
Environmental Product Compliance

REACH SVHC	Lead 7439-92-1
China RoHS	Environmentally Friendly Use Period = 50
	For details about hazardous substances go to tab "Downloads", Category "Manufacturer's declaration"

Drawings

PV string monitoring module - SCK-M-U-1500V - 2903591

Block diagram



Approvals

Approvals

Approvals

UL Listed / UL Recognized / cUL Listed / EAC / cULus Listed

Ex Approvals

Approval details

UL Listed		http://database.ul.com/cgi-bin/XYV/template/LISEXT/1FRAME/index.htm	FILE E 140324
UL Recognized		http://database.ul.com/cgi-bin/XYV/template/LISEXT/1FRAME/index.htm	FILE E 325209
cUL Listed		http://database.ul.com/cgi-bin/XYV/template/LISEXT/1FRAME/index.htm	FILE E 140324
EAC			RU C- DE.A*30.B.01082

PV string monitoring module - SCK-M-U-1500V - 2903591

Approvals

cULus Listed



Phoenix Contact 2019 © - all rights reserved
<http://www.phoenixcontact.com>

PHOENIX CONTACT GmbH & Co. KG
Flachsmarktstr. 8
32825 Blomberg
Germany
Tel. +49 5235 300
Fax +49 5235 3 41200
<http://www.phoenixcontact.com>