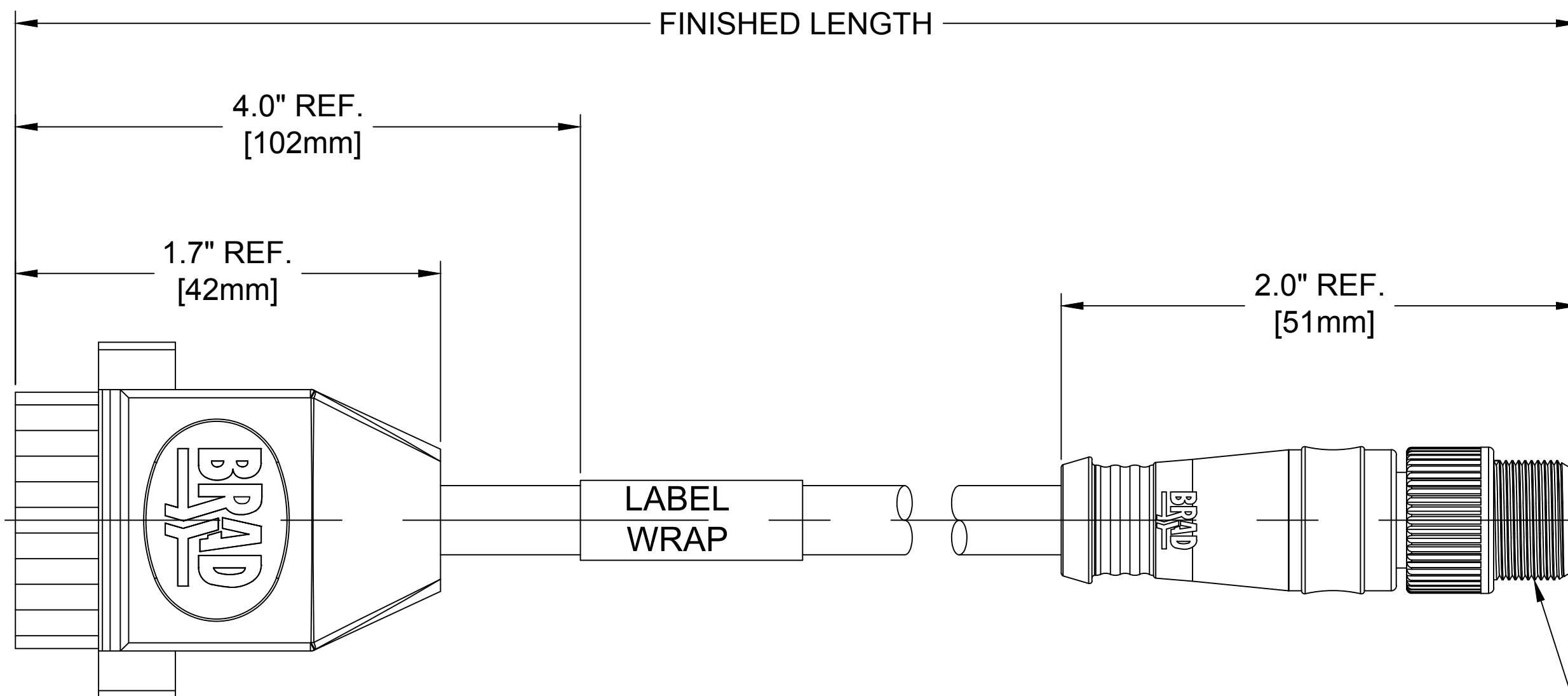
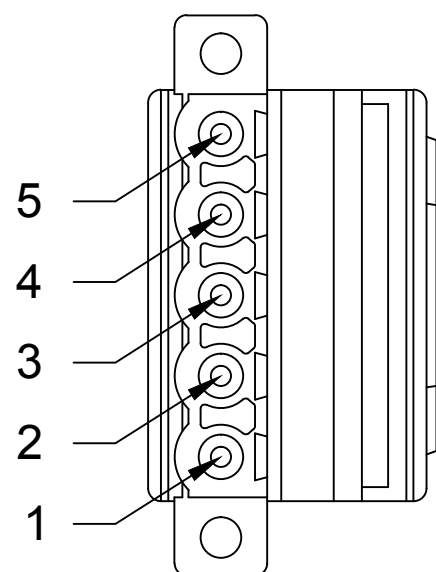
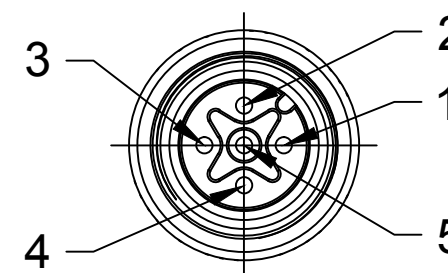


13	12	11	10	9	8	7	6	5	4	3	2	1
MATERIAL NUMBER		ENGINEERING NUMBER		FINISHED LENGTH								
1300390548		DNDF42A-M010		1M +55.6mm -0 [3.3FT +2.2IN -0]								

FEMALE FACE VIEW



MALE FACE VIEW



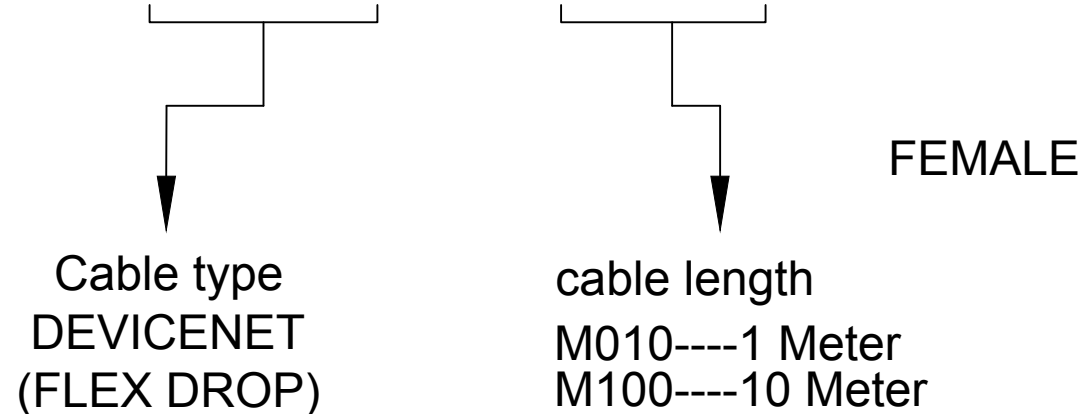
M12 X 1 EXTERNAL THREAD

SPECIFICATION DATA

ELECTRICAL DATA:
 MAX. VOLTAGE: 250 VAC
 MAX. CURRENT: 4 AMPS
 ENVIRONMENTAL:
 PROTECTION IP20
 TEMPERATURE RANGE: -20°C TO 80°C
 CERTIFICATIONS:
 cCSAus FILE: LR6837
 ASSEMBLY IS RoHS COMPLIANT.

LABEL	PLASTIC FILM	YELLOW
OVERMOLD	TPE	GRAY
COUPLING NUT	ZINC DIE-CAST	BLACK E-COAT
INSERT	NYLON	BLACK
CONTACTS	COPPER ALLOY	GOLD PLATING
D-NET OPEN CONNECTOR	POLYAMIDE	GRAY
CABLE #22/2 & #24/2 + DRAIN	TPE JACKET	GRAY
DESCRIPTION	MATERIAL	FINISH

DNDF42A-M010



WIRING DIAGRAM

3	DRAIN	1	
5	RED	2	
1	BLACK	3	
4	WHITE	4	
2	BLUE	5	

RELEASE EC NO: IFC2014-0701 DRWN: GGUSTAFS 2013/10/17 CH'KD: BARDEN APPR: BWOODMAN 2013/10/21 DESCRIPTION	QUALITY SYMBOL	GENERAL TOLERANCES (UNLESS SPECIFIED)	DIMENSION STYLE	SCALE	DESIGN UNITS	THIRD ANGLE PROJECTION
	$\nabla=0$ $\nabla C=0$	mm INCH 4 PLACES ±--- ±--- 3 PLACES ±--- ±.005 2 PLACES ±0.13 ±.010 1 PLACE ±0.25 ±.020	IN/MM	NTS	INCH	
		ANGULAR ±.5°	DRAWN BY DATE GGUSTAFS 2013/10/17 CHECKED BY DATE BARDEN 2013/11/11 APPROVED BY DATE BWOODMAN 2013/10/21	TITLE MICRO-CHANGE TO OPEN 5P MA ST TO FE OPEN DEVICENET FLEX DROP		
		DRAFT WHERE APPLICABLE MUST REMAIN WITHIN DIMENSIONS	MATERIAL NO. SEE CHART SIZE C	MOLEX INCORPORATED DOCUMENT NO. SD-130039-058		SHEET NO. 1 OF 1
			THIS DRAWING CONTAINS INFORMATION THAT IS PROPRIETARY TO MOLEX INCORPORATED AND SHOULD NOT BE USED WITHOUT WRITTEN PERMISSION			