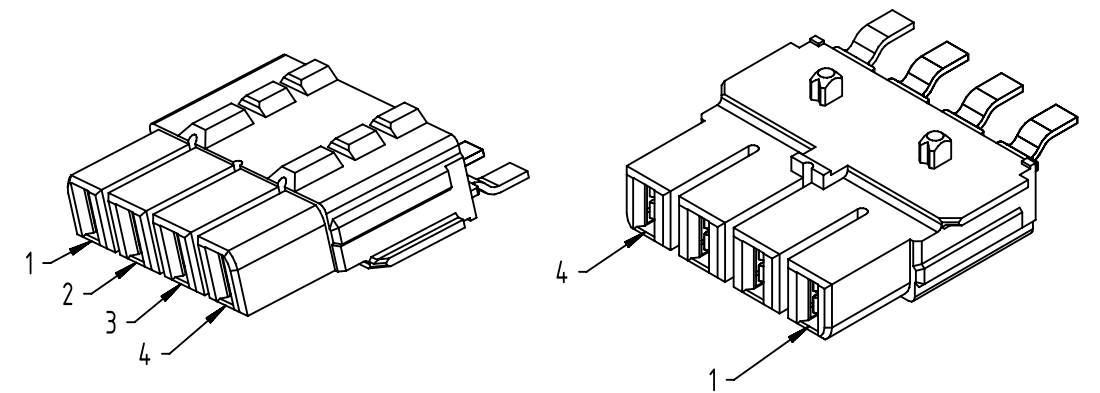
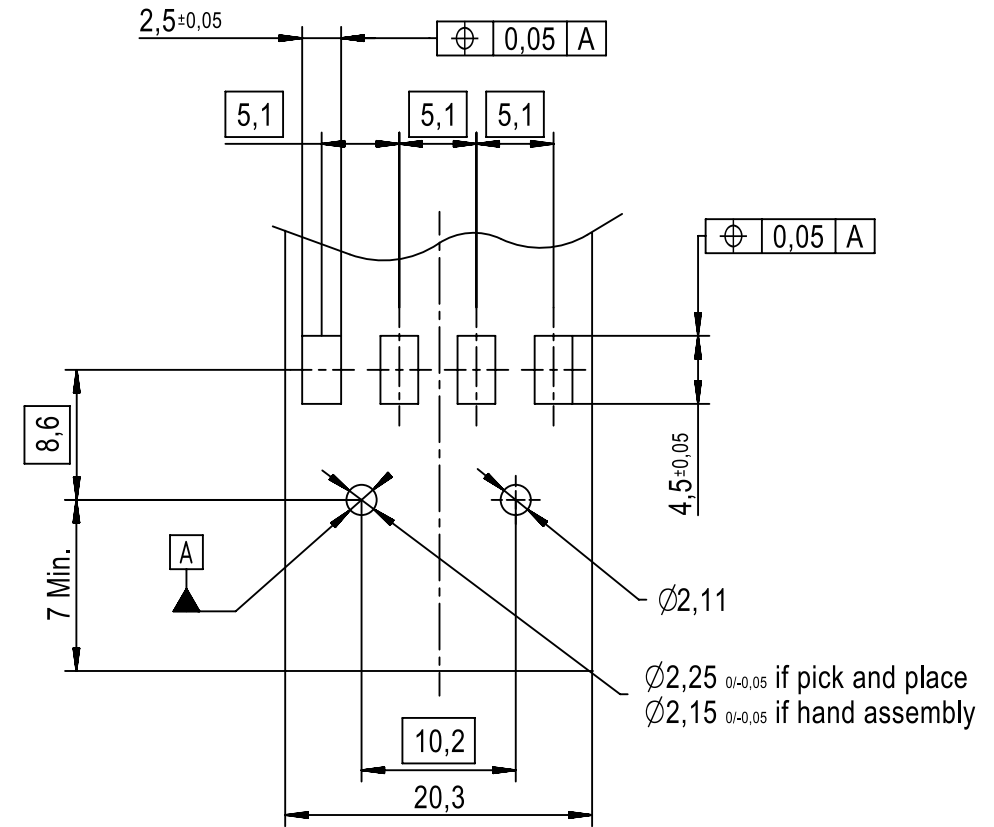


Recommended  
PCB power layout (SMD)



- 1) high temperature plastic material ; UL94 V0
- 2) the SMD power module is lead free reflow process compatible
- 3) 4 x power contacts carry 4 x 16 Amps at 20°C

09 45 525 0041	Power contact	Ag over Ni	1	100 pcs. per reel
	SMT tines	Sn Pb over Ni	-	
Part number	Part	Plating	Performance level	

	All rights reserved	Created by	Inspected by	Standardisation	Date	State	Ref.
	Department EC PD - FR	DOUGE	BAGDIKIAN	KOHLER	2014-01-08	Final Release	Sub.
HARTING Electronics GmbH		Title Han3A RJ45 Hybrid power jack SMD T&R				Doc-Key / ECM-Nr.	
D-32339 Espelkamp		Type TB	Number 09455250041		100081434/UGD/005/A		50000065580
						Rev. A	Page 1/1