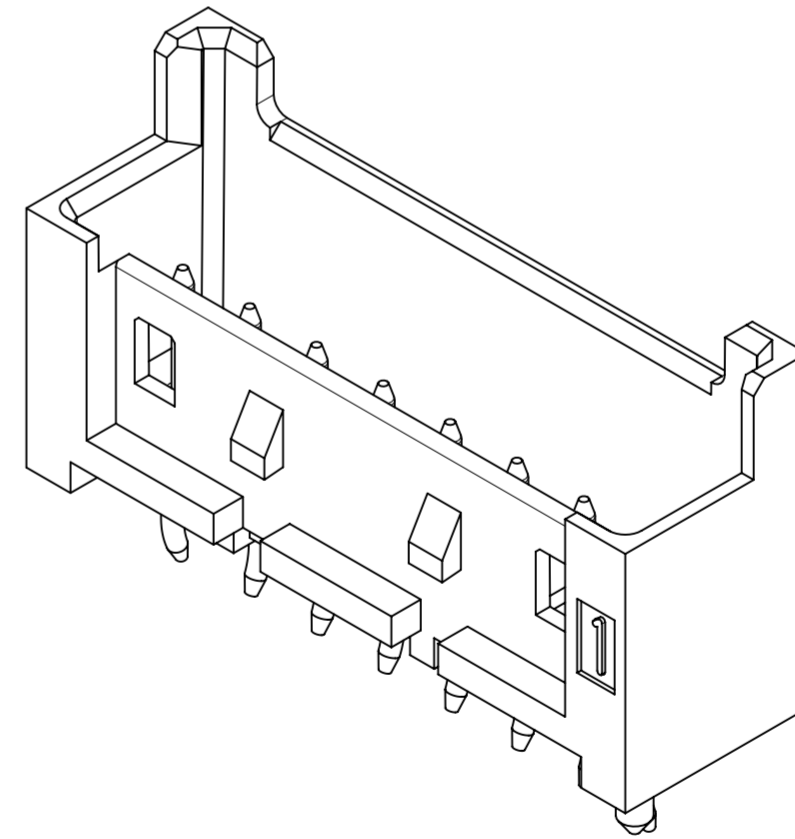


NOTES

- ① 材料及び仕上げ(めっき仕様) : TABLE 1参照  
MATERIAL AND FINISHES : SEE TABLE 1
- 2. 製品仕様書 : 511630000-PS 000  
PRODUCT SPECIFICATION:511630000-PS 000
- 3. 梱包仕様書 : 534769200-SPK 200  
PACKAGING SPECIFICATION: 534769200-SPK 200
- 4. 嵌合相手 : 51163 シリーズ  
MATES WITH:51163 SERIES
- 5. アプリケーション仕様書(コネクタ取扱い説明書) : 2166940000-AS PS 000  
APPLICATION SPECIFICATION(CONNECTOR MANUAL) : 2166940000-AS PS 000
- ② 偶数極に適合  
APPLY FOR EVEN CIRCUIT
- ③ 3極以上のキンク形状は両サイドが (A)、その他の極はすべて (B) 形状とする  
KINK FORM  
MORE THAN 2 CIRCUIT :  
PINS AT BOTH ENDS ARE KINK FORMED TO (A) .  
THE OTHER PINS ARE KINK FORMED TO (B) .
- 8. GLOW WIRE TEST 準拠品  
THIS PRODUCT IS GLOW WIRE TEST COMPATIBLE.

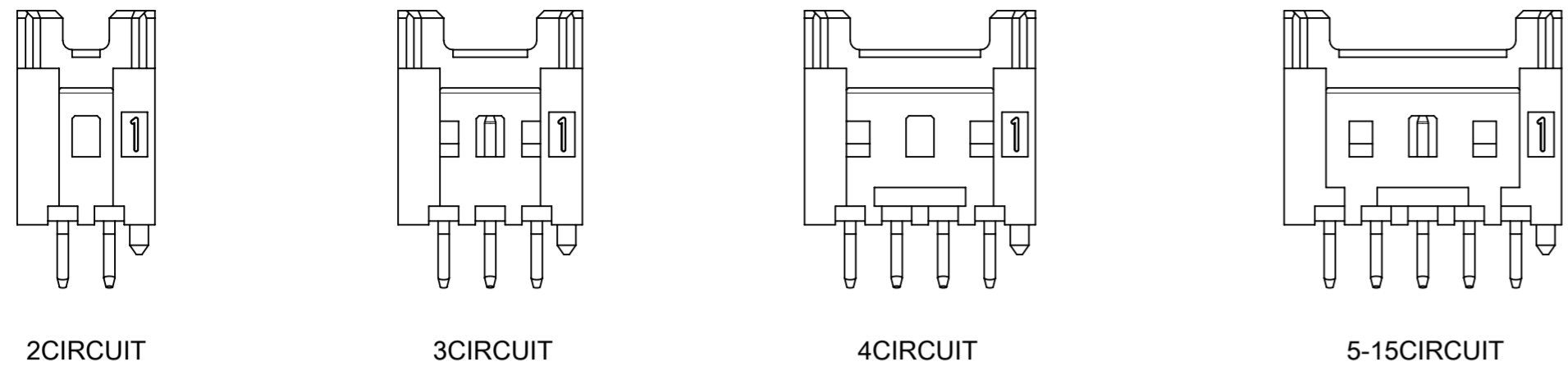


|                                  |      |      |                   |                    |
|----------------------------------|------|------|-------------------|--------------------|
| 38.2                             | 35   | 39.9 | 534761510         | 15                 |
| 35.7                             | 32.5 | 37.4 | 534761410         | 14                 |
| 33.2                             | 30   | 34.9 | 534761310         | 13                 |
| 30.7                             | 27.5 | 32.4 | 534761210         | 12                 |
| 28.2                             | 25   | 29.9 | 534761110         | 11                 |
| 25.7                             | 22.5 | 27.4 | 534761010         | 10                 |
| 23.2                             | 20   | 24.9 | 534760910         | 9                  |
| 20.7                             | 17.5 | 22.4 | 534760810         | 8                  |
| 18.2                             | 15   | 19.9 | 534760710         | 7                  |
| 15.7                             | 12.5 | 17.4 | 534760610         | 6                  |
| 13.2                             | 10   | 14.9 | 534760510         | 5                  |
| 10.7                             | 7.5  | 12.4 | 534760410         | 4                  |
| 8.2                              | 5    | 9.9  | 534760310         | 3                  |
| 5.7                              | 2.5  | 7.4  | 534760210         | 2                  |
| C                                | B    | A    | 発注番号<br>ORDER No. | 極数<br>CIRCUIT SIZE |
| 梱包形態 : ポリ袋<br>PACKAGE : POLY BAG |      |      |                   |                    |

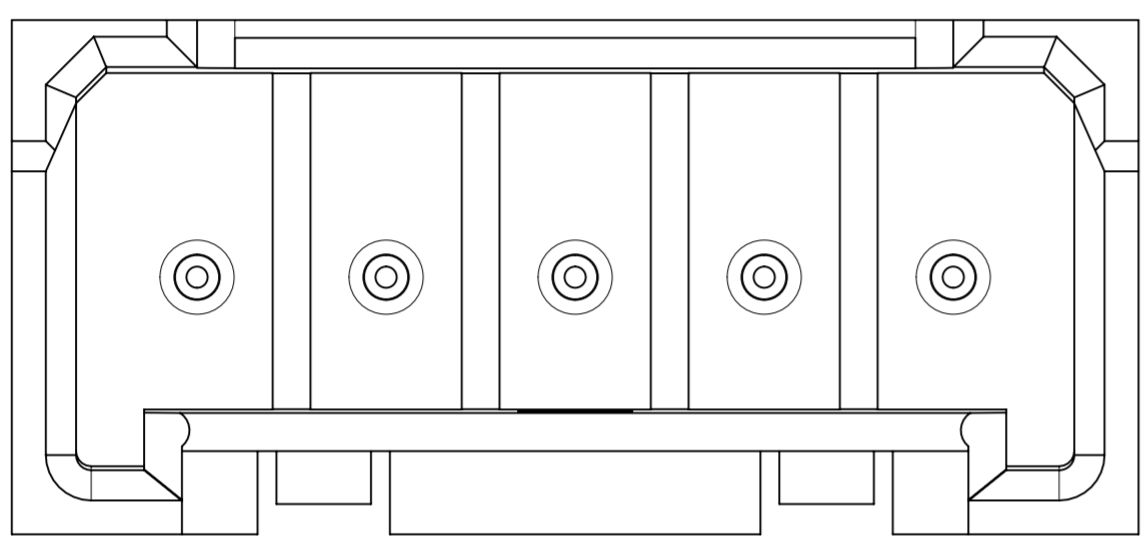
TABLE 1

| 部品<br>PART                 | 材料<br>MATERIAL   |              |            |          |
|----------------------------|--|--------------|------------|----------|
| ① プラグハウジング<br>PLUG HOUSING | ポリアミド, ガラス含有 UL94 V-0 色 : ナチュラル(白)<br>POLYAMIDE(PA),GLASS FILLED,UL94 V-0,COLOR:NATURAL(WHITE) |              |            |          |
| ② プラグピン<br>PLUG PIN        | りん青銅<br>PHOSPHOR BRONZE  |              |            |          |
|                            | 錫めっき : 1.0MICRO METER MINIMUM.<br>TIN PLATING : 1.0MICRO METER MINIMUM.                        |              |            |          |
|                            | 銅めっき(下地めっき):0.5MICRO METER MINIMUM<br>COPPER PLATING(UNDER PLATING):0.5MICRO METER MINIMUM.    |              |            |          |
| DOCUMENT STATUS            | P1   | RELEASE DATE | 2021/04/06 | 06:45:34 |

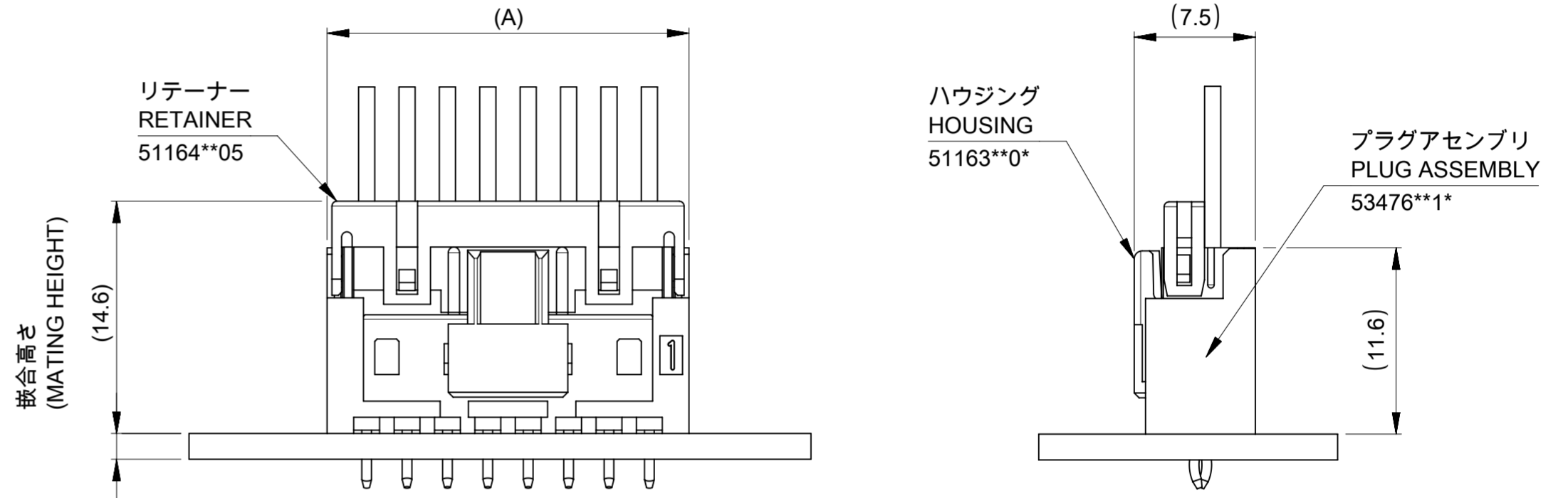
|   |  |              |                        |                   |                        |                   |                     |            |                                 |
|---|--|--------------|------------------------|-------------------|------------------------|-------------------|---------------------|------------|---------------------------------|
| THIS DRAWING CONTAINS INFORMATION THAT IS PROPRIETARY TO MOLEX ELECTRONIC TECHNOLOGIES, LLC AND SHOULD NOT BE USED WITHOUT WRITTEN PERMISSION |  |              |                        |                   |                        |                   |                     |            |                                 |
| DIMENSION UNITS<br>mm   |  | SCALE<br>NTS |                        | CURRENT REV DESC: |                        |                   |                     |            |                                 |
| GENERAL TOLERANCES (UNLESS SPECIFIED)   |  |              |                        | EC NO: 659548     |                        |                   |                     |            |                                 |
| ANGULAR TOL ± 3.0°  |  |              |                        | 4 PLACES ± 0.2    |                        | DRWN: RWATANABE01 |                     | 2021/03/30 |                                 |
|   |  |              |                        | 3 PLACES ± 0.2    |                        | CHK'D: AIDA       |                     | 2021/04/06 |                                 |
|   |  |              |                        | 2 PLACES ± 0.2    |                        | APPR: SAKIYAMA    |                     | 2021/04/06 |                                 |
|   |  |              |                        | 1 PLACE ± 0.2     |                        | INITIAL REVISION: |                     |            |                                 |
|   |  |              |                        | 0 PLACES ± 0.2    |                        | DRWN: RWATANABE01 |                     | 2020/11/16 |                                 |
|   |  |              |                        |                   |                        | APPR: SAKIYAMA    |                     | 2020/11/20 |                                 |
| DRAFT WHERE APPLICABLE MUST REMAIN WITHIN DIMENSIONS  |  |              | THIRD ANGLE PROJECTION |                   | DRAWING<br>A2-SIZE     |                   | SERIES<br>53476     |            | DOCUMENT NUMBER<br>534760000-SD |
|   |  |              |                        |                   | MATERIAL NUMBER        |                   | CUSTOMER<br>GENERAL |            | DOC TYPE<br>PSD                 |
|   |  |              |                        |                   | SHEET NUMBER<br>1 OF 2 |                   |                     |            | DOC PART<br>000                 |
|   |  |              |                        |                   |                        |                   |                     |            | REVISION<br>B                   |



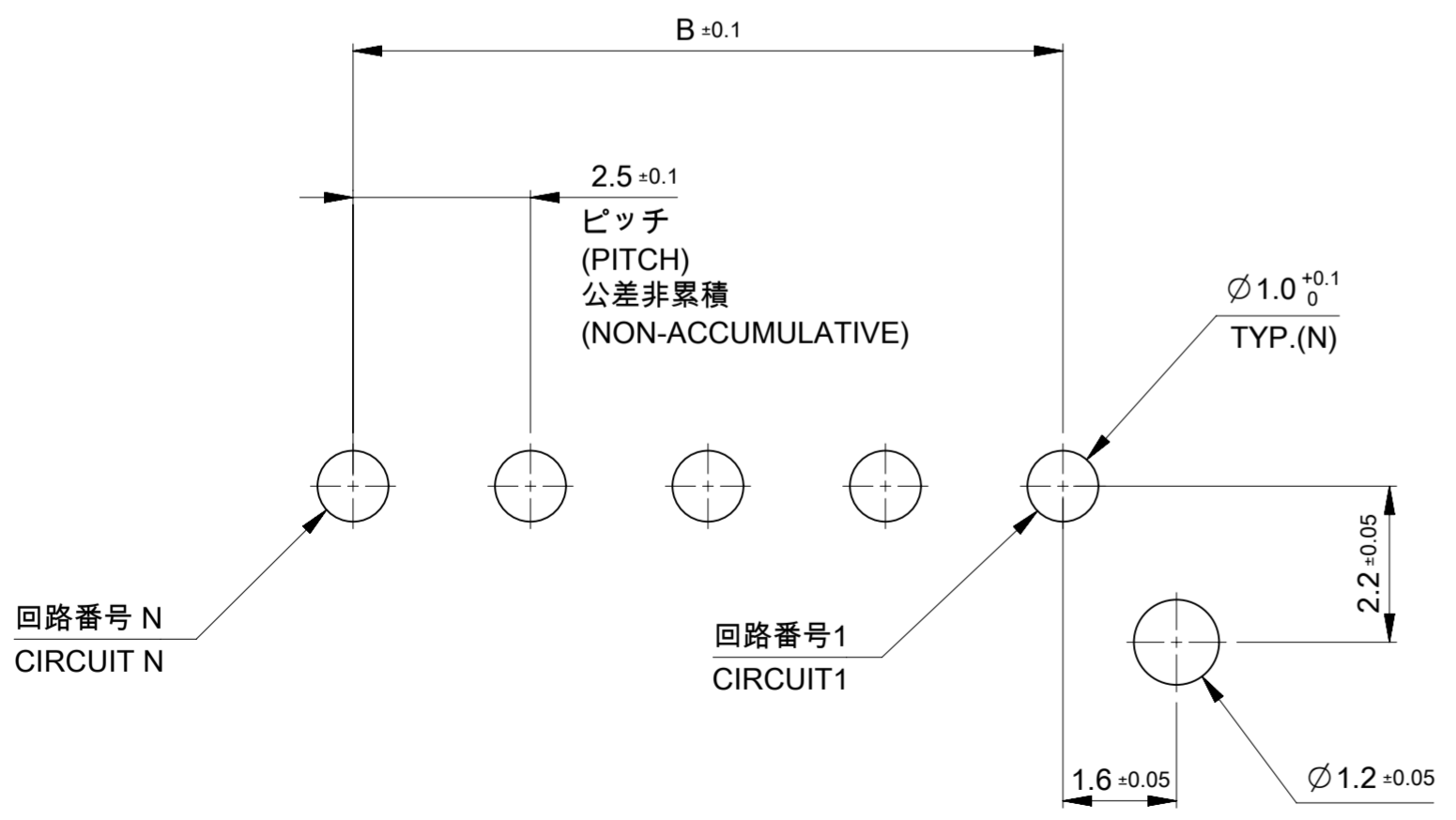
ロック形状図  
LOCK CONFIGURATION



製品レイアウト  
PRODUCT LAYOUT



嵌合図  
MATED CONNECTORS



基板取付穴推奨寸法(マウント面)  
RECOMMENDED PCB HOLE DIMENSION  
(MOUNTING SIDE), (t=1.6)

|   |  |        |  |  |  |            |  |        |  |                   |  |            |  |
|---|--|--------|--|--|--|------------|--|--------|--|-------------------|--|------------|--|
| THIS DRAWING CONTAINS INFORMATION THAT IS PROPRIETARY TO MOLEX ELECTRONIC TECHNOLOGIES, LLC AND SHOULD NOT BE USED WITHOUT WRITTEN PERMISSION |  |        |  |  |  |            |  |        |  |                   |  |            |  |
| DIMENSION UNITS   |  | SCALE  |  | CURRENT REV DESC:  |  |            |  |        |  |                   |  |            |  |
| mm  |  | NTS    |  |  |  |            |  |        |  |                   |  |            |  |
| GENERAL TOLERANCES (UNLESS SPECIFIED)   |  |        |  | <p><b>molex</b></p> <p>MINI-LOCK 2.5 W/B<br/>SINGLE ROW VERTICAL PLUG ASSEMBLY</p> <p>PRODUCT CUSTOMER DRAWING</p> |  |            |  |        |  |                   |  |            |  |
| ANGULAR TOL   |  | ± 3.0° |  |  |  |            |  |        |  | EC NO: 659548     |  |            |  |
| 4 PLACES  |  | ± 0.2  |  |  |  |            |  |        |  | DRWN: RWATANABE01 |  | 2021/03/30 |  |
| 3 PLACES  |  | ± 0.2  |  |  |  |            |  |        |  | CHK'D: AIDA       |  | 2021/04/06 |  |
| 2 PLACES  |  | ± 0.2  |  |  |  |            |  |        |  | APPR: SAKIYAMA    |  | 2021/04/06 |  |
| 1 PLACE   |  | ± 0.2  |  |  |  |            |  |        |  | INITIAL REVISION: |  |            |  |
| 0 PLACES  |  | ± 0.2  |  | DRWN: RWATANABE01  |  | 2020/11/16 |  |        |  |                   |  |            |  |
|   |  |        |  | APPR: SAKIYAMA   |  | 2020/11/20 |  |        |  |                   |  |            |  |
| DRAFT WHERE APPLICABLE MUST REMAIN WITHIN DIMENSIONS  |  |        |  | THIRD ANGLE PROJECTION   |  | DRAWING    |  | SERIES |  |                   |  |            |  |
|   |  |        |  |  |  | A2-SIZE    |  | 53476  |  |                   |  |            |  |
| DOCUMENT NUMBER   |  |        |  | 534760000-SD   |  | DOC TYPE   |  | PSD    |  |                   |  |            |  |
| CUSTOMER  |  |        |  | GENERAL  |  | DOC PART   |  | 000    |  |                   |  |            |  |
| SHEET NUMBER  |  |        |  | 2 OF 2   |  | REVISION   |  | B      |  |                   |  |            |  |