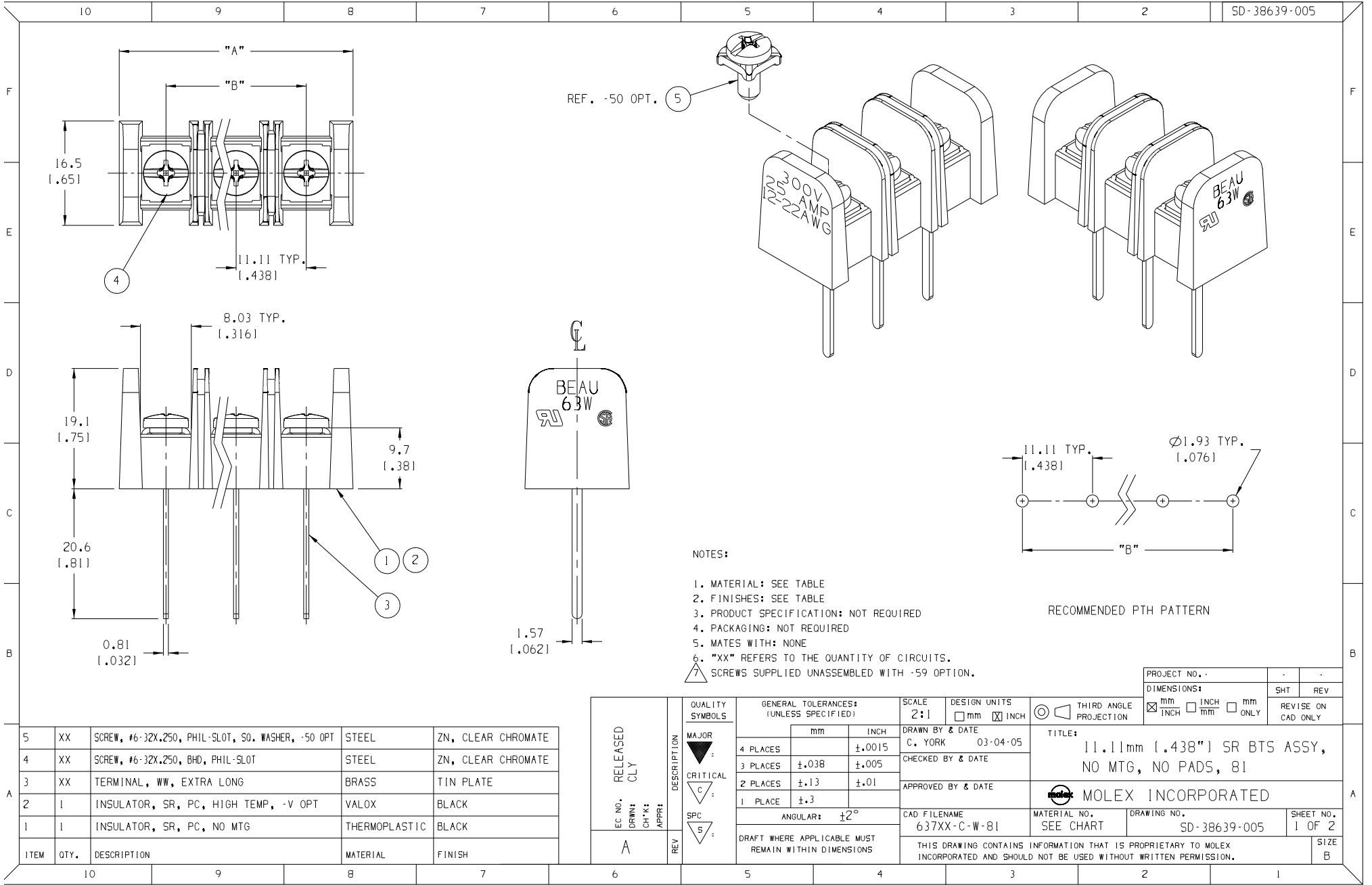


- NOTES:
1. MATERIAL: SEE TABLE
  2. FINISHES: SEE TABLE
  3. PRODUCT SPECIFICATION: NOT REQUIRED
  4. PACKAGING: NOT REQUIRED
  5. MATES WITH: NONE
  6. "XX" REFERS TO THE QUANTITY OF CIRCUITS.
- ▲ SCREWS SUPPLIED UNASSEMBLED WITH -59 OPTION.

ITEM	QTY.	DESCRIPTION	MATERIAL	FINISH
5	XX	SCREW, #6-32X.250, PHIL-SLOT, SO. WASHER, -50 OPT	STEEL	ZN, CLEAR CHROMATE
4	XX	SCREW, #6-32X.250, BHD, PHIL-SLOT	STEEL	ZN, CLEAR CHROMATE
3	XX	TERMINAL, WW, EXTRA LONG	BRASS	TIN PLATE
2	1	INSULATOR, SR, PC, HIGH TEMP, -V OPT	VALOX	BLACK
1	1	INSULATOR, SR, PC, NO MTG	THERMOPLASTIC	BLACK

EC NO. : DRAWN : CHK'D : APPR : A	DESCRIPTION : MAJOR : CRITICAL : SPC : S :	QUALITY SYMBOLS		GENERAL TOLERANCES: (UNLESS SPECIFIED)		SCALE: 2:1	DESIGN UNITS: <input type="checkbox"/> mm <input checked="" type="checkbox"/> INCH	THIRD ANGLE PROJECTION	PROJECT NO. - DIMENSIONS: <input checked="" type="checkbox"/> mm <input type="checkbox"/> INCH <input type="checkbox"/> mm ONLY	SHT REV	
		mm      INCH		DRAWN BY & DATE C. YORK      03-04-05		TITLE: 11.11mm (1.438") SR BTS ASSY, NO MTG, NO PADS, 81		REVISION ON CAD ONLY			
		4 PLACES      ±.0015 3 PLACES      ±.038      ±.005 2 PLACES      ±.13      ±.01 1 PLACE      ±.3		CHECKED BY & DATE		APPROVED BY & DATE		MOLEX INCORPORATED			
		ANGULAR: ±2°		CAD FILENAME 637XX-C-W-81		MATERIAL NO. SEE CHART		DRAWING NO. SD-38639-005		SHEET NO. 1 OF 2	
DRAFT WHERE APPLICABLE MUST REMAIN WITHIN DIMENSIONS				THIS DRAWING CONTAINS INFORMATION THAT IS PROPRIETARY TO MOLEX INCORPORATED AND SHOULD NOT BE USED WITHOUT WRITTEN PERMISSION.							



NUMBER OF CIRCUITS "XX"	DIM. "A"	DIM. "B"	ASSEMBLY MATERIAL NO. (-C-W-81)	ASSEMBLY MATERIAL NO. (-C-W-50-81)	ASSEMBLY MATERIAL NO. (-C-V-W-81-50-59)
02	25.9 [1.02]	11.11 [.438]	386390022		386390108
03	37.0 [1.46]	22.23 [.875]	386390026		386390127
04	48.1 [1.90]	33.34 [1.313]	386390032		386390128
05	59.2 [2.33]	44.45 [1.750]	386390059		386390129
06	70.4 [2.77]	55.56 [2.188]	386390037		386390130
07	81.5 [3.21]	66.68 [2.625]		386390042	
08	92.6 [3.65]	77.79 [3.063]		386390045	



EC NO. SEE SHEET 1 DRWN: CH'K: APPR:	DESCRIPTION MAJOR CRITICAL SPC	GENERAL TOLERANCES: (UNLESS SPECIFIED)		SCALE: - -	DESIGN UNITS: <input type="checkbox"/> mm <input checked="" type="checkbox"/> INCH	THIRD ANGLE PROJECTION	PROJECT NO.: - -	DIMENSIONS: <input checked="" type="checkbox"/> INCH <input type="checkbox"/> mm <input type="checkbox"/> mm ONLY	SHT: - REV: -
		4 PLACES ±.0015 INCH 3 PLACES ±.038 mm 2 PLACES ±.13 mm 1 PLACE ±.3 mm	DRAWN BY & DATE: C. YORK 03-04-05	TITLE: 11.11mm (.438") SR BTS ASSY, NO MTG, NO PADS, 81		MOLEX INCORPORATED			
		ANGULAR: ±2°	CHECKED BY & DATE	APPROVED BY & DATE	CAD FILENAME: 637XX-C-W-81	MATERIAL NO. SEE CHART	DRAWING NO. SD-38639-005	SHEET NO. 2 OF 2	
		DRAFT WHERE APPLICABLE MUST REMAIN WITHIN DIMENSIONS	THIS DRAWING CONTAINS INFORMATION THAT IS PROPRIETARY TO MOLEX INCORPORATED AND SHOULD NOT BE USED WITHOUT WRITTEN PERMISSION.				SIZE B		

