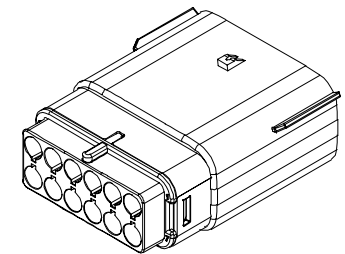
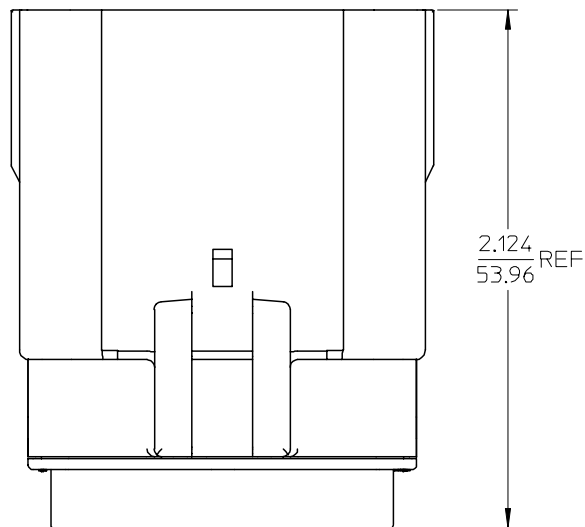
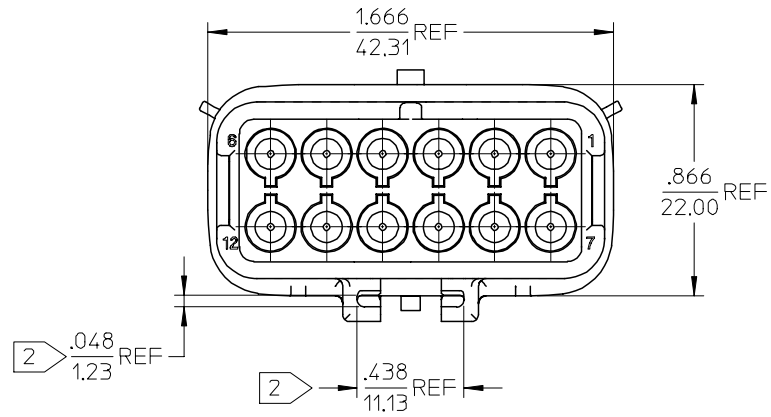
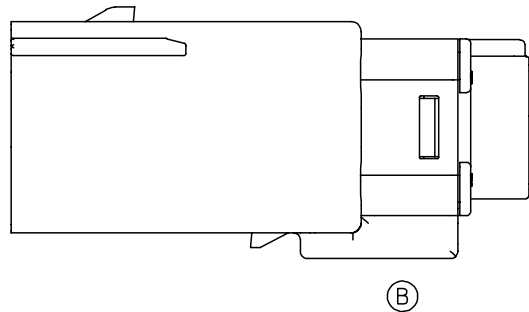
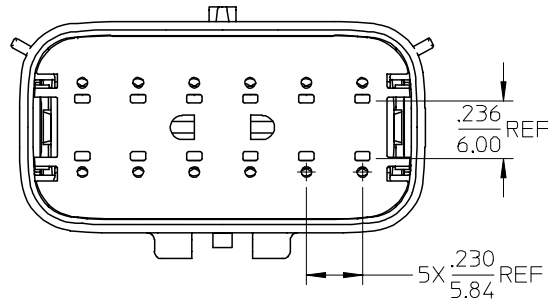


10 9 8 7 6 5 4 3 2 19419



ASSEMBLED VIEW  
SCALE 1:1

|                 |              |             |
|-----------------|--------------|-------------|
| 194190018       | 12           | 16-14       |
| 194190017       | 12           | 22-18       |
| MATERIAL NUMBER | CIRCUIT SIZE | UL WIRE AWG |

NOTES:

- ASSEMBLY PACKAGED PER PK-19419-001.
- MOUNTING SLOT DIMENSIONS.
- USE CONNECTOR WITH MALE CRIMP TERMINAL: SERIES 19417.

|   |                               |                                       |        |   |                       |                        |                            |                  |
|---|-------------------------------|---------------------------------------|--------|---|-----------------------|------------------------|----------------------------|------------------|
| EC NO: ETC2004-0202<br>DRWN: DMYRICK 2004/06/03<br>CHKD: JPAWLICK 2004/06/03<br>APPR: JPAWLICK 2004/06/03 | QUALITY SYMBOLS               | GENERAL TOLERANCES (UNLESS SPECIFIED) |        | SCALE 2:1   | DESIGN UNITS INCH     | THIRD ANGLE PROJECTION | REVISE ON CAD ONLY         |                  |
|   | DESCRIPTION<br>▼ = 0<br>∇ = 0 | 4 PLACES                              | mm     | INCH  | DIMENSION STYLE IN/MM |                        | TITLE 12 WAY PLUG ASSEMBLY |                  |
|   |                               | 3 PLACES                              | ± ---  | ± ---   | DRAWN BY DMYRICK      | DATE 03/11/20          | MATERIAL NO. SEE CHART     |                  |
|   |                               | 2 PLACES                              | ± 0.38 | ± ---   | CHECKED BY JPAWLICK   | DATE 03/11/20          | DOCUMENT NO. SD-19419-006  | SHEET NO. 1 OF 1 |
|   | 1 PLACE                       | ± ---                                 | ± ---  | ANGULAR ± 1 °   |                       | MATERIAL NO. SEE CHART |                            |                  |
|   |                               | DRAFT WHERE APPLICABLE                |        | APPROVED BY RDEROSS   |                       | DATE 03/11/20          |                            |                  |
|   |                               | MUST REMAIN WITHIN DIMENSIONS         |        | THIS DRAWING CONTAINS INFORMATION THAT IS PROPRIETARY TO MOLEX INCORPORATED AND SHOULD NOT BE USED WITHOUT WRITTEN PERMISSION |                       |                        |                            |                  |

8 7 6 5 4 3 2 1