

DO NOT
SCALE FROM
THIS PRINT

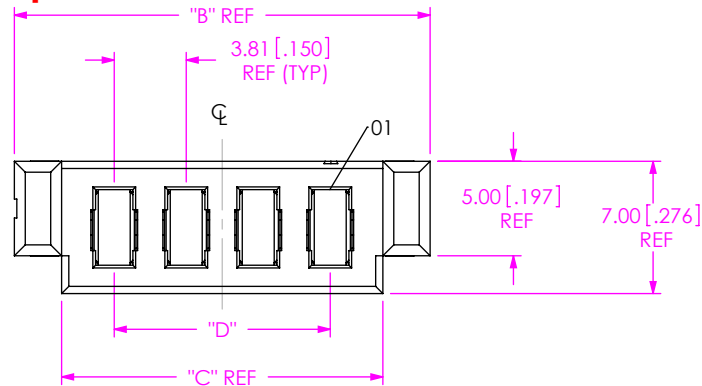
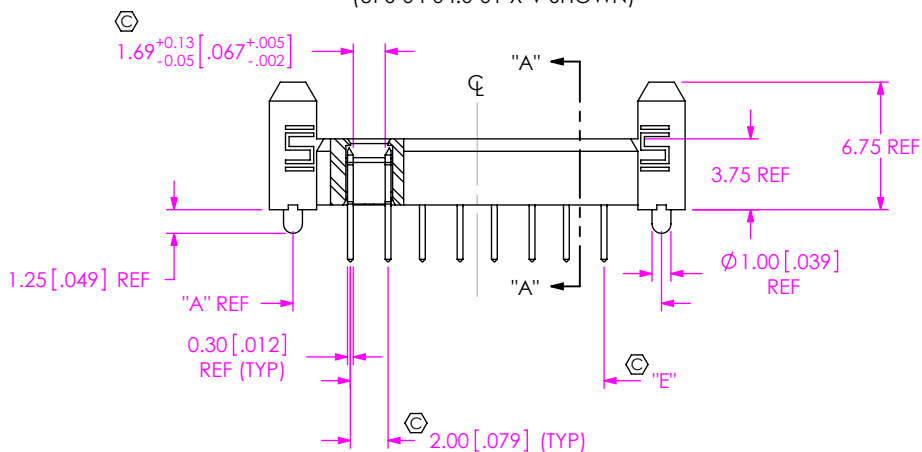
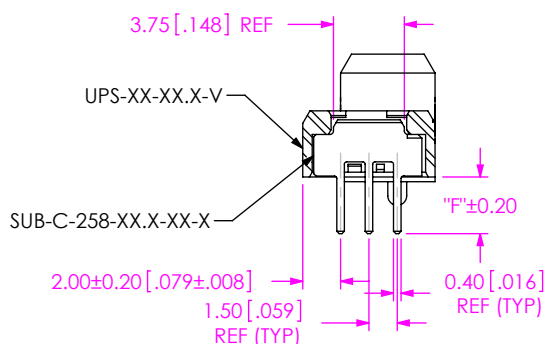
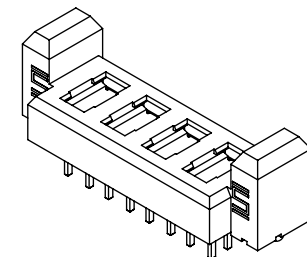


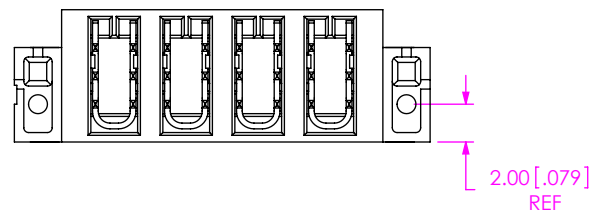
FIG 1
(UPS-04-04.0-01-X-V SHOWN)



- UPS-XX-XX.X-XX-X-XX-XX-XX
- No. OF POSITIONS**
 - 02: 2 POSITIONS
 - 04: 4 POSITIONS
 - 06: 6 POSITIONS
 - 08: 8 POSITIONS
 - HEIGHT**
 - 04.0: (USE SUB-C-258-04.0-XX-X) (SEE FIG. 1)
 - 07.0: (USE SUB-C-258-07.0-XX-X) (SEE FIG. 2)
 - TAIL LENGTH**
 - 01: FOR 1.57 [.062] THICK PCB (SEE FIG. 1) (USE SUB-C-258-XX.XX-01-X)
 - 02: FOR 2.36 [.093] THICK PCB (SEE FIG. 2) (USE SUB-C-258-XX.XX-02-X)
 - 03: PRESS-FIT FOR 1.57 [.062] THICK PCB AND UP (USE SUB-C-341-XX.X-X) (SEE FIG. 3) (ONLY AVAILABLE WITH -PV) (SEE NOTE 7)
 - OPTION**
 - TR: TAPE & REEL
 - OPTION**
 - LC: LOCKING CLIP (ONLY AVAILABLE WITH -V)
 - TAIL OPTION**
 - V: VERTICAL
 - PV: PRESS-FIT VERTICAL (ONLY AVAILABLE ON -03 TAIL LENGTH)
 - PLATING**
 - L: 10 μm SELECTIVE GOLD IN CONTACT AREA, MATTE TIN ON TAIL
 - T: MATTE TIN CONTACT AND TAIL (ONLY AVAILABLE WITH -PV)



SECTION "A"-"A"



- NOTES:
- ⊗ REPRESENTS A CRITICAL DIMENSION.
 - NOTE DELETED.
 - MINIMUM PUSHOUT FORCE: 4.45N [1.0 LB].
 - MAXIMUM BOW: 0.15 [.006].
 - MINIMUM -LC PULL OUT FORCE: 2.23 N [0.5 LB]
 - PARTS TO BE PACKAGED IN TUBES.
 - APPLICATION TOOLING REQUIRED FOR PV TAIL LENGTH. CONTACT IPG. FLAT BAR TOOLING FOR THE UPPER TOOL MAY BE USED. REFERENCE DIMENSION "C" MINUS 1.25MM FOR LENGTH, 7.00MM FOR WIDTH, AND 3.5MM FOR HEIGHT.

TABLE 2

TAIL LENGTH	"F"
-01	3.00 [.118]
-02	3.75 [.148]
-03	2.39 [.094]

TABLE 1

PART NUMBER	"A"	"B"	"C"	"D"	"E"
UPS-02-XX.X-XX-X-XX-XX	11.88 [.468]	14.38 [.566]	9.38 [.369]	3.81 [.150]	5.82 [.229]
UPS-04-XX.X-XX-X-XX-XX	19.50 [.768]	22.00 [.866]	17.00 [.669]	11.43 [.450]	13.44 [.529]
UPS-06-XX.X-XX-X-XX-XX	27.12 [1.068]	29.62 [1.166]	24.62 [.969]	19.05 [.750]	21.06 [.829]
UPS-08-XX.X-XX-X-XX-XX	34.74 [1.368]	37.24 [1.466]	32.24 [1.269]	26.67 [1.050]	28.68 [1.129]

UNLESS OTHERWISE SPECIFIED,
DIMENSIONS ARE IN MILLIMETERS.
TOLERANCES ARE:
DECIMALS ANGLES
X.X: ±0.3 [.01] 2°
X.XX: ±0.13 [.005]
X.XXX: ±0.051 [.0020]

PROPRIETARY NOTE
THIS DOCUMENT CONTAINS INFORMATION
CONFIDENTIAL AND PROPRIETARY TO
SAMTEC, INC. AND SHALL NOT BE REPRODUCED
OR TRANSFERRED TO OTHER DOCUMENTS OR
DISCLOSED TO OTHERS OR USED FOR ANY
PURPOSE OTHER THAN THAT WHICH IT WAS
OBTAINED WITHOUT THE EXPRESSED WRITTEN
CONSENT OF SAMTEC, INC.

520 PARK EAST BLVD, NEW ALBANY, IN 47150
PHONE: 812-944-6733 FAX: 812-948-5047
e-Mail: info@SAMTEC.com code: 55322

DESCRIPTION:
UPS-V, ASSEMBLY

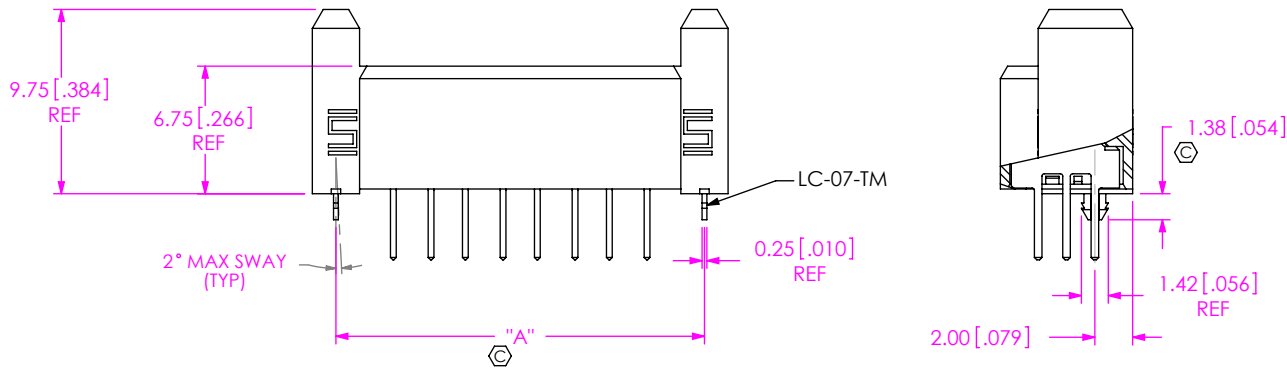
DWG. NO.
UPS-XX-XX.X-XX-X-XX-XX-XX

BY: B RAY 07-12-2010 SHEET 1 OF 2

MATERIAL: DO NOT SCALE DRAWING SHEET SCALE: 2.5:1
INSULATOR: LCP, COLOR: BLACK
CONTACT: BeCu
LOCKING CLIP: PHOS BRONZE

F:\DWG\MISC\MKTG\UPS-XX-XX.X-XX-X-XX-XX-MKT.SLDDRW

FIG 2
(UPS-04-07.0-02-X-V-LC SHOWN)
(SAME AS FIG. 1 EXCEPT AS SHOWN)



PACKAGING VIEW
(ASSEMBLIES TO HAVE POSITION #1 LOADED IN THE SAME DIRECTION AS ARROW ON TUBE)

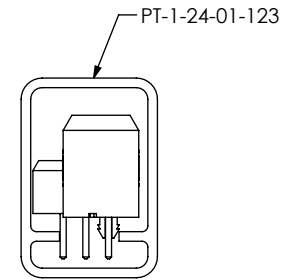
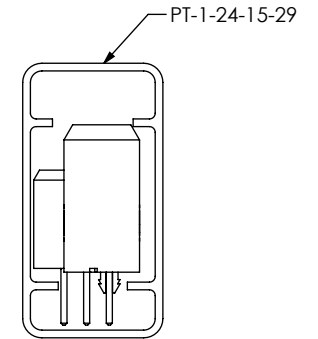
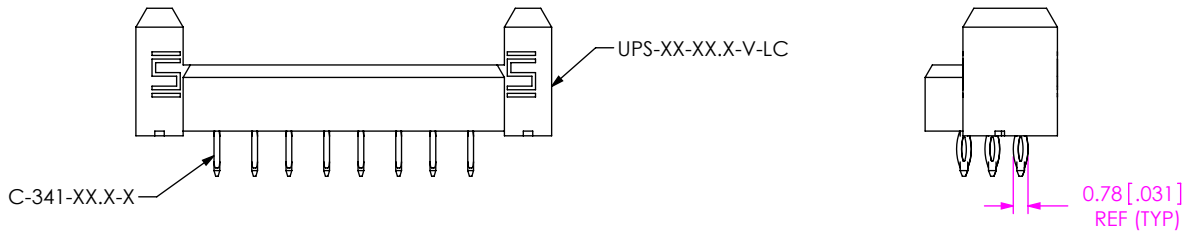


FIG 3
(UPS-04-04.0-03-X-PV SHOWN)
(SAME AS FIG. 1 EXCEPT AS SHOWN)



PACKAGING TABLE		
HEIGHT	PACKAGING TUBE	PLUG
-04	PT-1-24-01-123	TP-07
-07	PT-1-24-15-29	TP-07

PLATING	POWER PIN CONTACT AREA	POWER PIN TAIL
-L	LIGHT GOLD	MATTE TIN
-T	MATTE TIN	MATTE TIN

PROPRIETARY NOTE
THIS DOCUMENT CONTAINS INFORMATION CONFIDENTIAL AND PROPRIETARY TO SAMTEC, INC. AND SHALL NOT BE REPRODUCED OR TRANSFERRED TO OTHER DOCUMENTS OR DISCLOSED TO OTHERS OR USED FOR ANY PURPOSE OTHER THAN THAT WHICH IT WAS OBTAINED WITHOUT THE EXPRESSED WRITTEN CONSENT OF SAMTEC, INC.

DO NOT SCALE DRAWING

SHEET SCALE: 3:1



520 PARK EAST BLVD, NEW ALBANY, IN 47150
PHONE: 812-944-6733 FAX: 812-948-5047
e-Mail: info@SAMTEC.com code: 55322

DESCRIPTION:
UPS-V, ASSEMBLY

DWG. NO.
UPS-XX-XX.X-XX-X-XX-XX-XX

BY: B RAY 07-12-2010 SHEET 2 OF 2