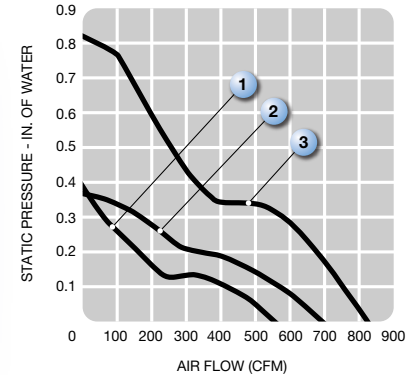
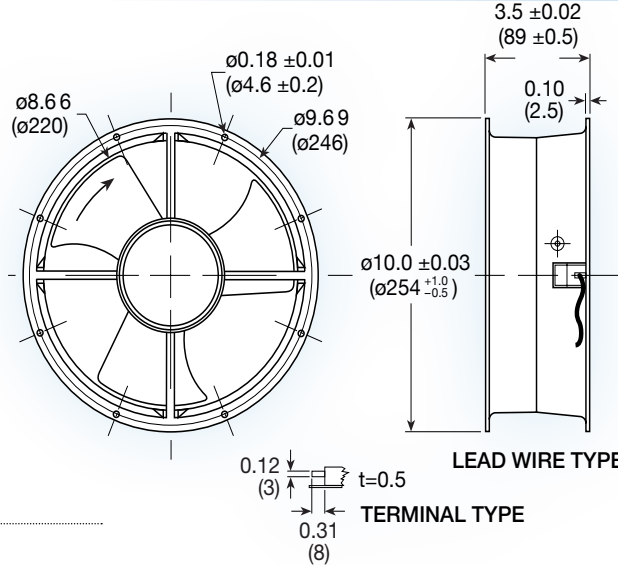


# UF25GC series



**(254 dia. x 89 mm)**

10.0 dia. x 3.5 inches

Operating voltage: 115 or 230 VAC

Construction: aluminum die cast frame;  
UL94V-0 PBT impeller

Bearing option: ball bearing

Motor: permanent split capacitor

Air Flow: exhaust over struts

Connection: terminal or 22 AWG lead wires

Protection: thermal

Option: dual voltage 115/230VAC

Model No.	Rated Voltage V	Freq. HZ	Input Power W	Rated Cur. A	Locked Cur. A	Speed RPM	Air Volume		Max. Static Pressure (H <sub>2</sub> O)		Sound Noise dba	Weight kg	Curve
							M <sup>3</sup> /Min.	CFM	MM	INCH			
UF25GC12-__H	115	60	33	0.29	0.51	1,650	15.5	550	10	0.40	55	1.90	1
UF25GC23-__H	230	60	33	0.14	0.25	1,650	15.5	550	10	0.40	55	1.90	1
UF25GCA12-__H	115	60	75	0.66	0.70	2,600	19.3	680	9.4	0.37	62	1.90	2
UF25GCA23-__H	230	60	75	0.35	0.36	2,600	19.3	680	9.4	0.37	62	1.90	2
UF25GCB12-__H	115	60	96	0.88	1.16	3200	23.0	812	20.7	0.82	65	2.30	3
UF25GCB23-__H	230	60	98	0.45	0.60	3200	23.0	812	20.7	0.82	65	2.30	3

