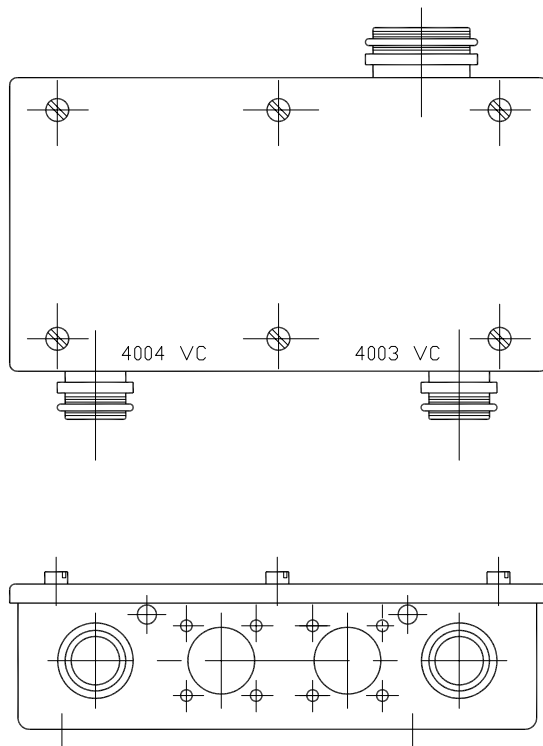


REVISIONS			
LTR	DESCRIPTION	DATE	APPROVED
N/C	INITIAL RELEASE	AUG 02	KJW
A	REVISED PER DCR R040793	10/4/04	MPIOZET



JUNCTION BOX WITH TINEL-LOCK OUTLETS

NOTES

1. THIS PRODUCT IS DESIGNED TO ACT AS A JUNCTION BOX FOR BRAIDED CABLES TERMINATED BY MEANS OF TINEL-LOCK HEAT SHRINKABLE RINGS. PROVISION IS MADE FOR THE USE OF HEAT SHRINK MOULDED PARTS ONTO JACKETED CABLES IF REQUIRED.
2. SEE SHEETS 2 AND 3 FOR DIMENSIONS AND PART NUMBERING/ORDERING SYSTEM.
- ③ SEE DRAWING TR FOR DETAIL ON TINEL LOCK RINGS. RINGS ARE DESIGNED TO BE HEATED ELECTRICALLY. ALL RINGS ARE MARKED WITH THERMOCHROMIC PAINT WHICH CHANGES COLOUR WHEN INSTALLATION TEMPERATURE IS REACHED.
4. ADAPTER TO BE PERMANENTLY MARKED WITH CODE IDENTIFICATION NUMBER AND FULL PART NUMBER. (e.g. 06090 TJB-B-14-08-08CAI-F] AND WITH RELATIVE MANUFACTURING ISSUE NUMBER.
5. TINEL-LOCK RING IS TO BE SPECIFIED IN PART NUMBER WHEN ORDERING.

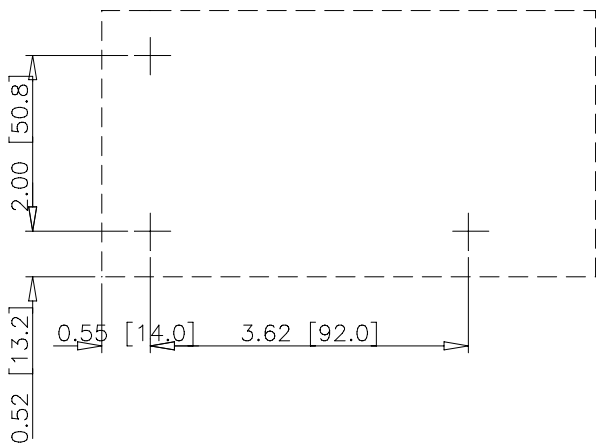
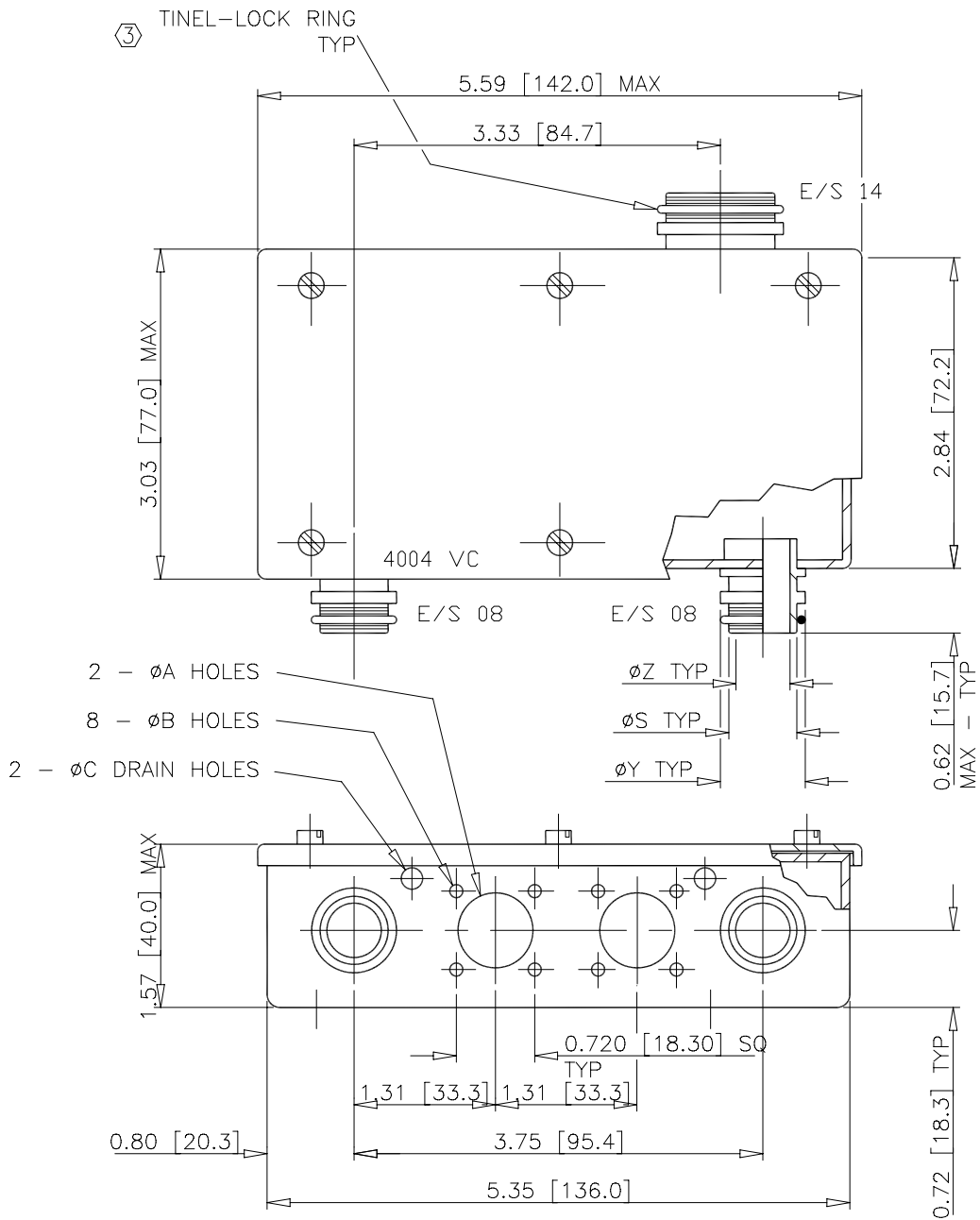
If this document is printed it becomes uncontrolled.
Check for the latest revision.

TINEL-LOCK is a trademark of Tyco Electronics.

©2004 Tyco Electronics Corporation. All rights reserved.

SPECIFICATION CONTROL DRAWING

UNLESS OTHERWISE SPECIFIED DIMENSIONS ARE IN INCHES. METRIC DIMENSIONS ARE IN BRACKETS. DECIMALS .X ± 0.030 [0.76] .XX ± 0.020 [0.50] .XXX ± 0.005 [0.13] ANGLES .X ± ---	DRAWN IRT DATE AUG 02		Tyco Electronics Corporation 300 Constitution Drive Menlo Park, CA. 94025 U.S.A.	<i>Raychem</i>	
	CHECKED KJW DATE AUG 02				
	APPROVED KJW DATE AUG 02				
	APPROVED KJW DATE AUG 02				
	CAD NAME R040793				
TITLE JUNCTION BOX WITH TINEL-LOCK OUTLETS TR08 AND TR14		SIZE A4	CODE IDENT. NO. 06090	DWG. NO. TJB-B-14-08-08CXI-F	REV A
THIRD ANGLE PROJECTION 			DO NOT SCALE THIS DWG		SHEET 1 OF 3



BOX LOCATION/MOUNTING POINTS
 ϕ 0.24 [6.0] CLEARANCE
 OR
 ϕ 3/16" UN*/ ϕ M5 TAPPED

TABLE I	
HOLE DIAMETERS	
A	0.71 [18.0]
B	0.116/0.124 [2.95/3.15]
C	0.2 [5.0]

TABLE II				
ENTRY SIZE	ϕZ	ϕS		ϕY
	+0.010 -0.020 [+0.25] [-0.50]			± 0.015 [± 0.38]
08	0.500	0.626	[15.91]	0.800
	[12.70]	0.619	[15.72]	[20.32]
14	0.875	1.002	[25.46]	1.175
	[22.23]	0.991	[25.17]	[29.84]

PART NUMBERING SYSTEM

TJB - B - 14 - 08 - 08 C A I - F

PREFIX - TINEL JUNCTION BOX

MATERIAL - BOX - ALUMINIUM TO SAE AMS-QQ-A-225

MATERIAL - GASKET - SILICONE TO ZZ-R-765

MATERIAL - SCREWS - $\phi 6-32$ UNC TO MS 35265-30

ENTRY SIZE

ENTRY SIZE

ENTRY SIZE

PLATING FINISH (SEE S-CH00-0157-002)

C = ELECTROLESS NICKEL

BRAID DESIGNATOR

A: SINGLE LAYER 36 AWG

B: SINGLE LAYER 30 AWG

DOUBLE LAYER 36 AWG

RINGS WITH INSULATED LINING

INTERNAL FINISH

F = PTFE COATING