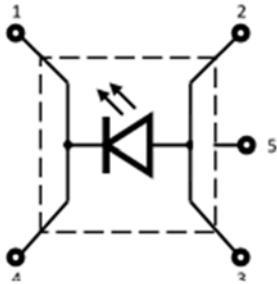


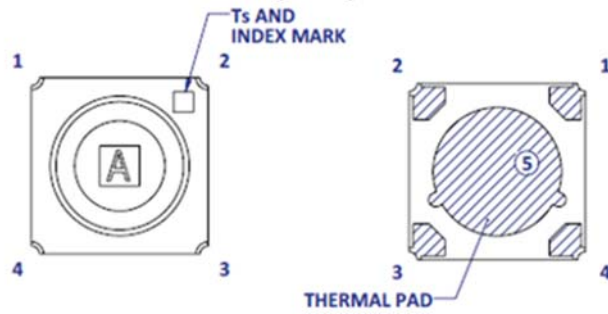
Product End-of-Life (EOL) Notification	
AFFECTED PART NUMBER(S): LZ1-00UV00-0100; LZ1-10UV00-0100; LZ1-30UV00-0100	EOL No. 26
PART DESCRIPTION: LuxiGen LZ1 UV 365nm emitter; LuxiGen LZ1 UV 365nm emitter on MCPCB	DATE: 5/6/2019
RECOMMENDED REPLACEMENT PART NUMBER(S): LZ1-00UV0R-0000; LZ1-10UV0R-0000; LZ1-30UV0R-0000	
REASON FOR EOL: Die supplier has a planned EOL and is upgrading to a newer generation of higher radiant flux dies with reversed electrical polarity.	
LAST ORDER DATE: 8/1/2019	LAST SHIPMENT DATE: 11/30/2019
DISPOSITION OF EXISTING INVENTORY: Use up current inventory. No returns to factory.	
NOTE: The replacement part is a new part number, with reversed electrical pinout and new datasheet. For the new LED emitter, rotating the emitter 180 degree allows the emitter anode and cathode match pinouts on an existing board design using the EOL product.	
CONTACT PERSON: <i>Ishita Goswami</i> Product Manager 651 River Oaks Parkway San Jose, CA 95134 i.goswami@osram.com	

EOL PRODUCT

LZ1-00UV00-0100

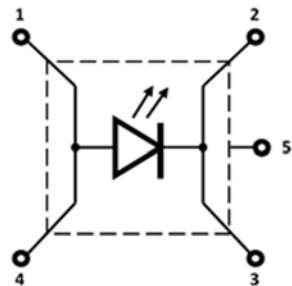


Pin Out	
Pad	Function
1	Cathode
2	Anode
3	Anode
4	Cathode
5 ^[2]	Thermal

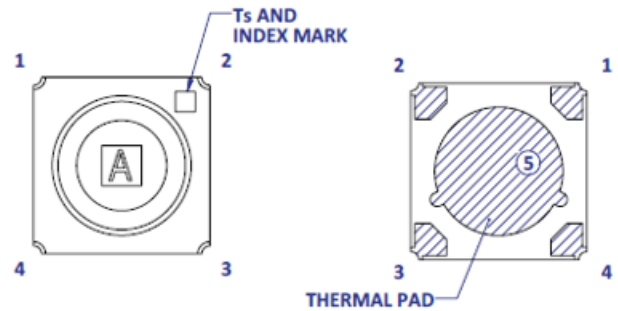


REPLACEMENT PRODUCT

LZ1-00UV0R-0000



Pin Out	
Pad	Function
1	Anode
2	Cathode
3	Cathode
4	Anode
5 ^[2]	Thermal

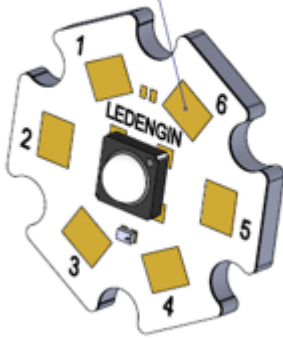


Please refer to product datasheets for additional details.

EOL PRODUCT

LZ1-10UV00-0100

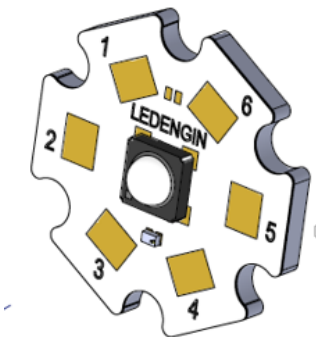
SOLDER
PADS (6 PLCS)



Pad layout		
MCPCB Pad	String/die	Function
1, 2, 3	1/A	Cathode -
4, 5, 6		Anode +

REPLACEMENT PRODUCT

LZ1-10UV0R-0000



Pad layout			
Ch.	MCPCB Pad	String/die	Function
1	1, 2, 3	1/A	Cathode -
	4, 5, 6		Anode +

Emitter is rotated 180deg on board resulting in the same MCPCB pinouts as EOL part.