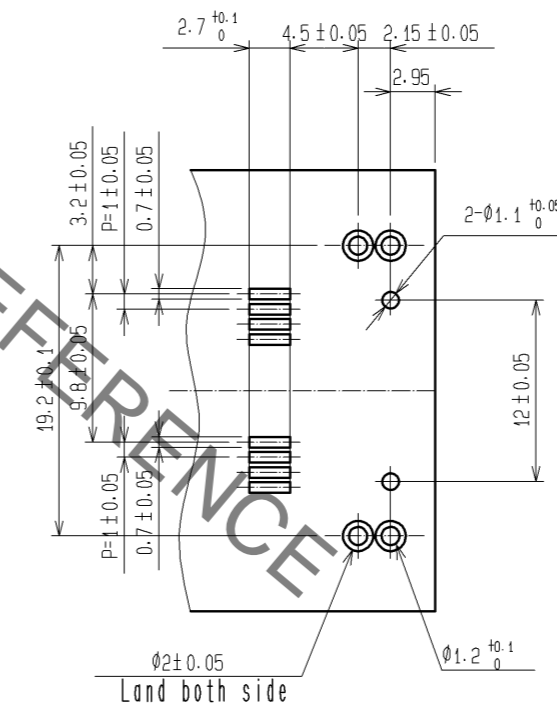
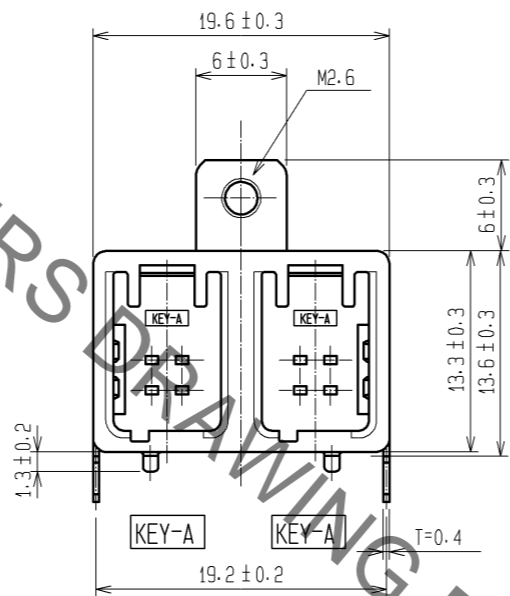
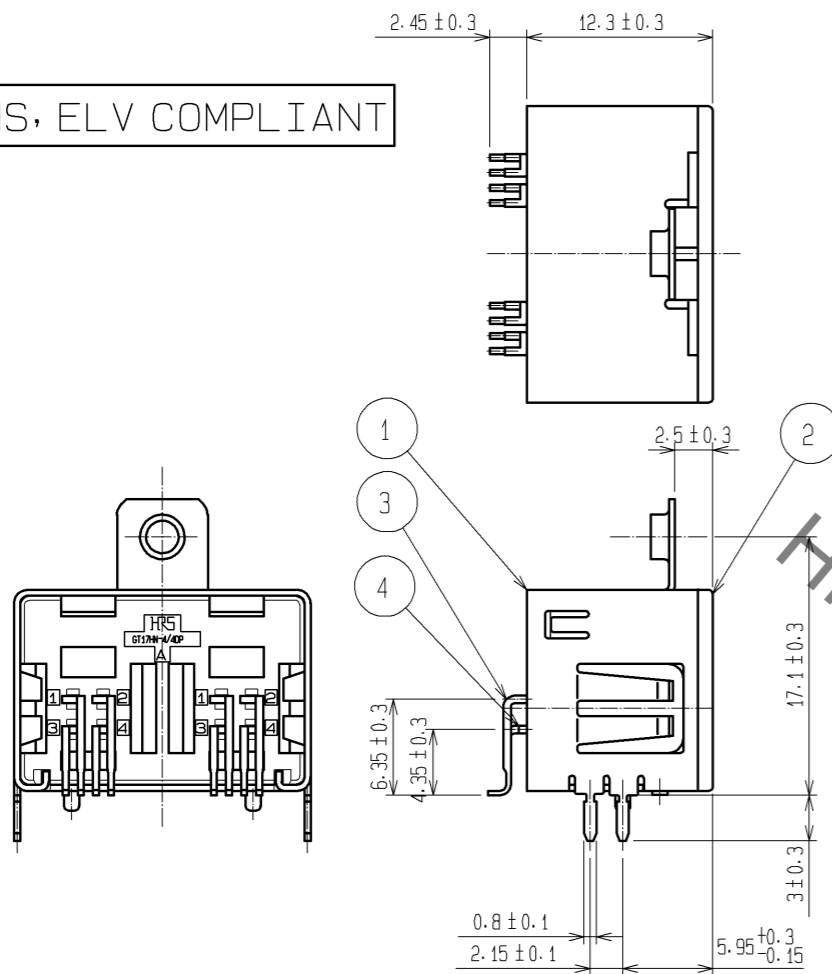
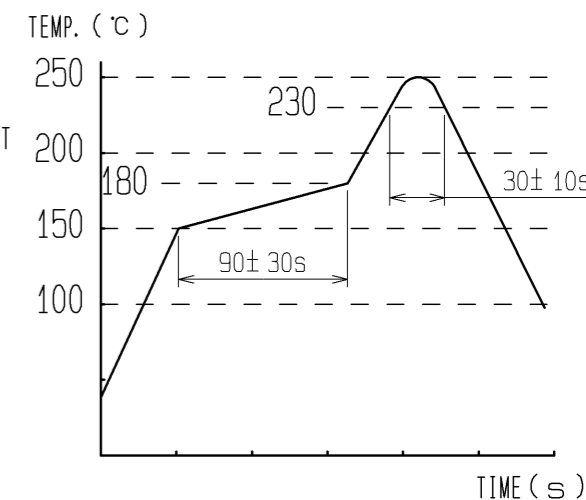


Aug.1.2019 Copyright 2019 HIROSE ELECTRIC CO., LTD. All Rights Reserved.
In case of consideration for using Automotive equipment / device which demand high reliability, kindly contact our sales window correspondents.

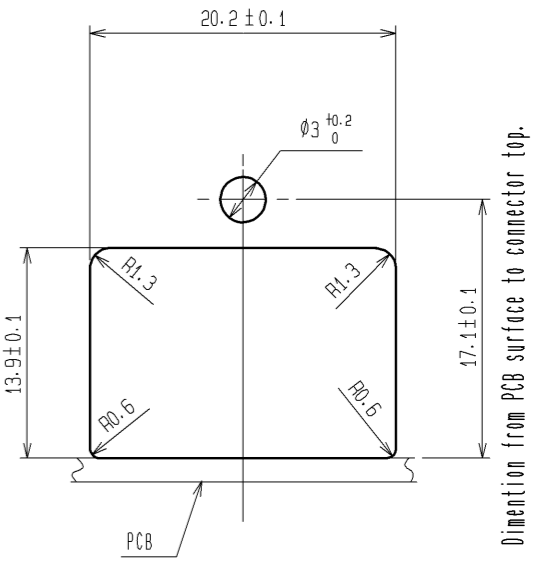
RoHS, ELV COMPLIANT

NOTES

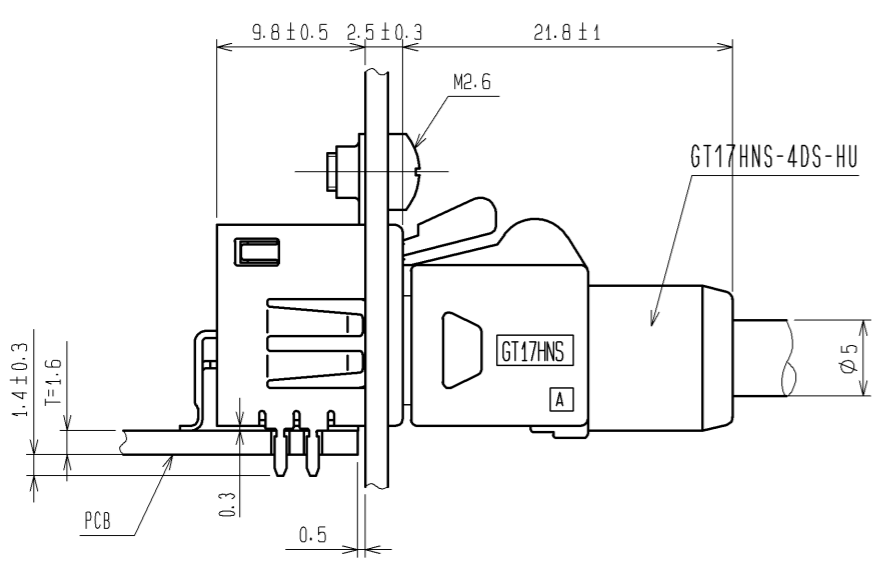
- 1) RECOMMENDED REFLOW PROFILE (SEE RIGHT GRAPH)
CYCLE TIME: UP TO 2 CYCLES OF REFLOW SOLDERING ARE POSSIBLE UNDER THE CONDITIONS, PROVIDED THAT THERE IS A RETURN TO NORMAL TEMPERATURE BETWEEN THE FIRST AND SECOND CYCLE.
PEAK TEMPERATURE: 250°C
230°C MIN. FOR 20 TO 40 SECONDS.
PREHEATING AREA 150 TO 180 °C FOR 60 TO 120 SECONDS.
- 2) HAND SOLDERING: 280-300°C, 2S MAX.
- 3) CONTACT COPLANARITY: 0.1mm MAX.
- 4) RECOMMENDED THICKNESS OF PCB: 1.6mm
- 5) RECOMMENDED THICKNESS OF SOLDERING PASTE: 0.12mm



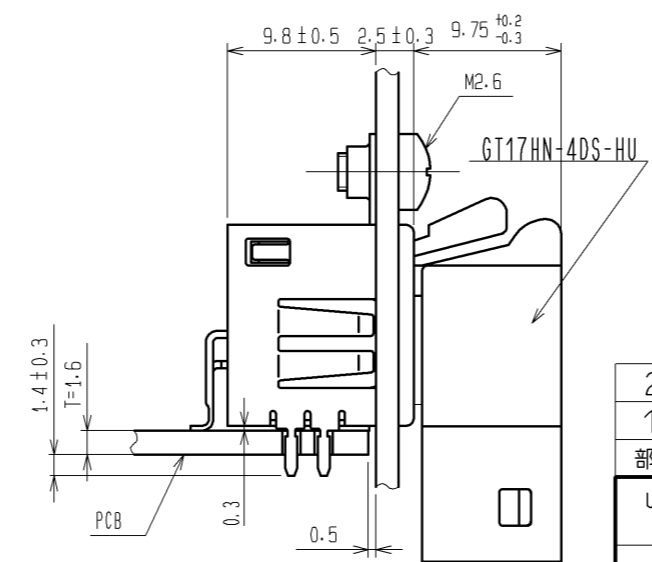
Dimension from PCB surface to skew hole.



Dimension from PCB surface to connector top.



Mated connectors



Mated connectors

2	PPS	BROWN	4	BRASS	TIN PLATING
1	COPPER ALLOY	TIN PLATING	3	BRASS	TIN PLATING
部番	材質	処理, 備考	部番	材質	処理, 備考
UNITS mm		SCALE 2 : 1		訂正記事	設計
HRS HIROSE ELECTRIC CO., LTD.		承認: NH. NAKATA 13.07.10	図番:	EDC3-169982-00	
		検 査: TS. KUBOTA 13.07.10	製品名:	GT17HND-4/4DP-2H(AA)	
		設 計: NK. IKUTA 13.07.09	製品コード:	CL767-0327-6-00	
		製 図: NK. IKUTA 13.07.09			

Aug.1.2019 Copyright 2019 HIROSE ELECTRIC CO., LTD. All Rights Reserved.
 In case of consideration for using Automotive equipment / device which demand high reliability, kindly contact our sales window correspondents.

