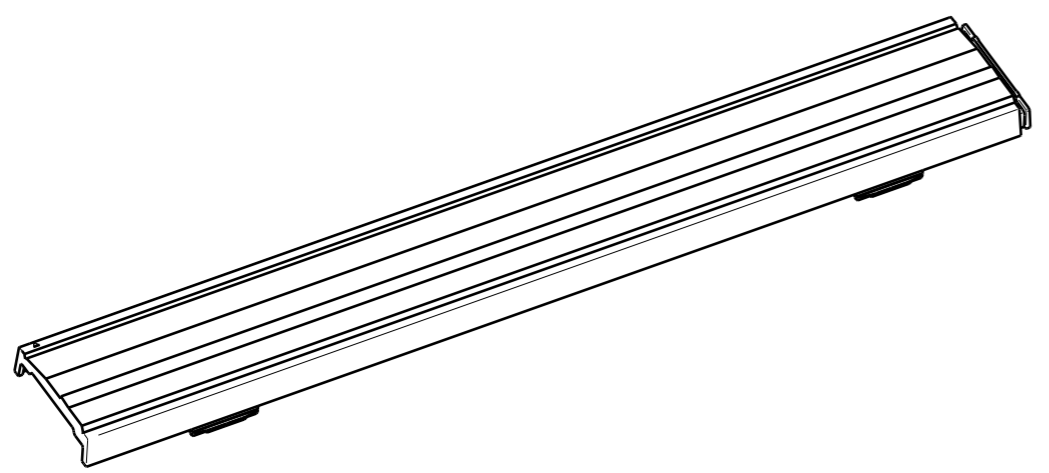
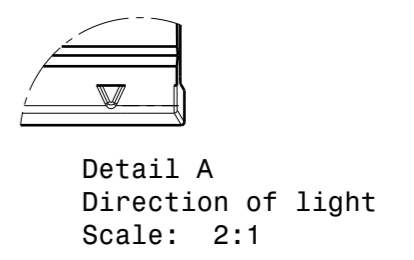
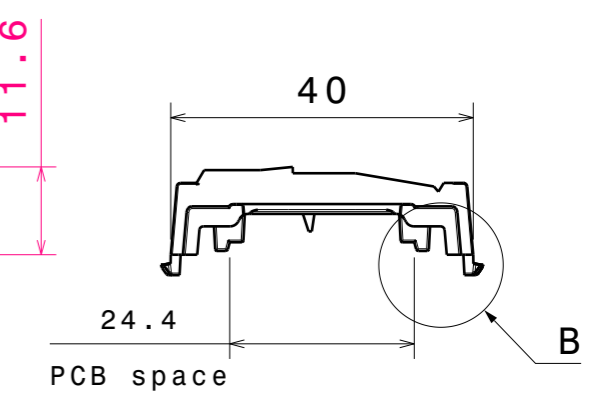
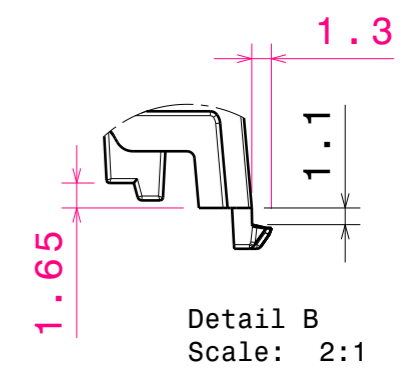
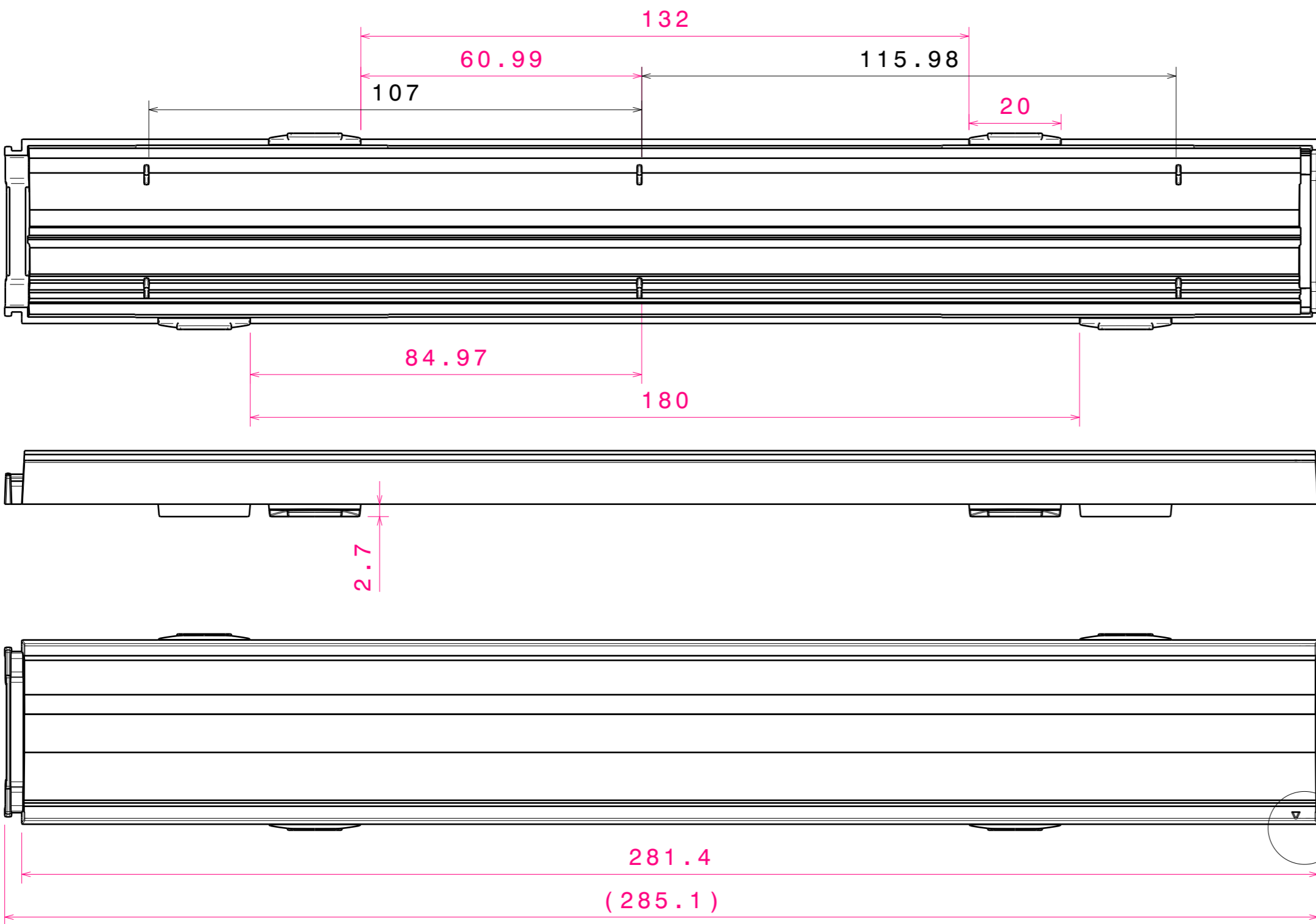


H G F E D C B A



INDEX	PART NO	DESCRIPTION	MATERIAL	COLOUR
1	F15861	LINNEA-ZT25	PC	clear

Tolerances if not otherwise shown
According to DIN ISO 2768-1
Linear measures:
Up to 30mm class M, otherwise class C.
According to DIN ISO 2768-2
Form and position: class L

LEDiL LediL Oy
Salorankatu 10
FIN 24240 SALO
Finland

THIRD ANGLE PROJECTION:

DRAWING TITLE
F15861_LINNEA-ZT25

This drawing is the property
of LEDiL Oy. It may not be
reproduced, copied or
communicated without a written
agreement with LEDiL Oy.

SIZE PART NUMBER
A3 F15861

SCALE 1:1 WEIGHT 46,6g SHEET 1/2

H G B A

H G F E D C B A

4

4

3

3

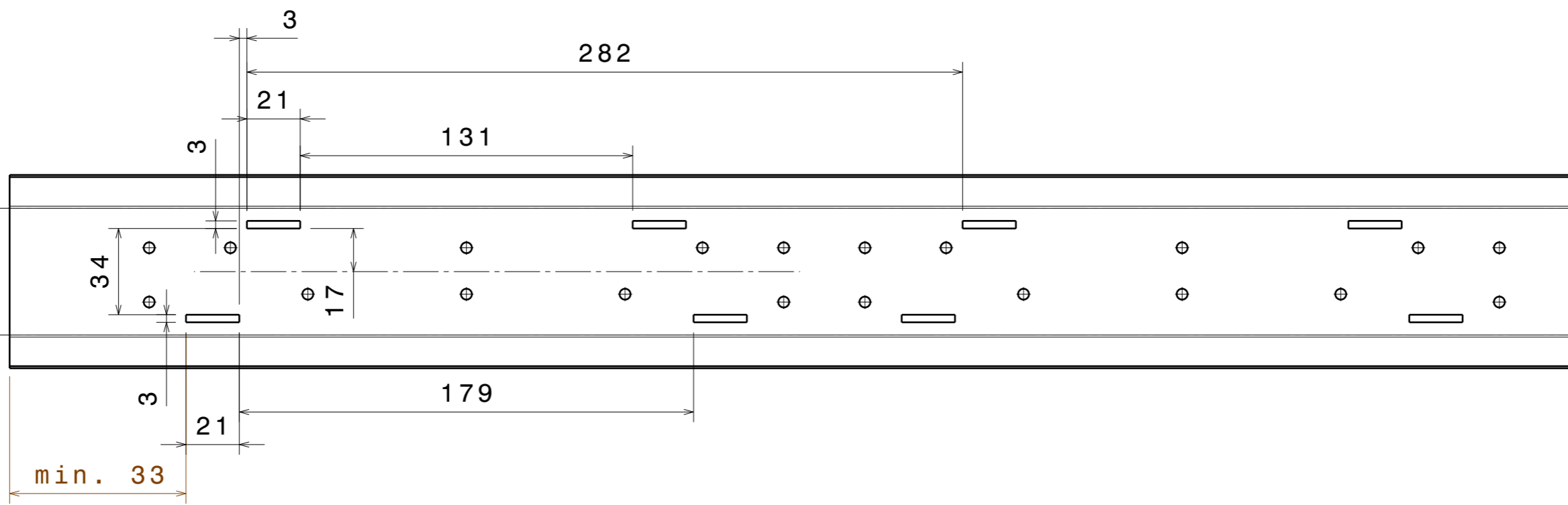
2


2

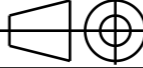
1

1

H G F E D C B A



 Ledil Oy Salorankatu 10 FIN 24240 SALO Finland		DRAWING TITLE	
		LINNEA SHEETMETAL CUT OUT	
SIZE	PART NUMBER		
A3	-		
SCALE	1:2	WEIGHT	
		SHEET	2/2

FIRST ANGLE PROJECTION: 

This drawing is the property of LEDiL Oy. It may not be reproduced, copied or communicated without a written agreement with LEDiL Oy.