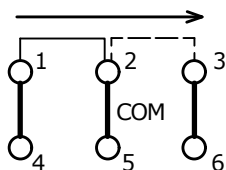
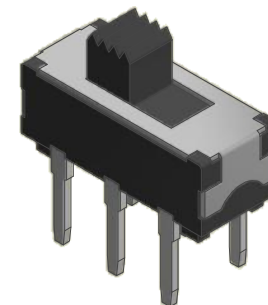
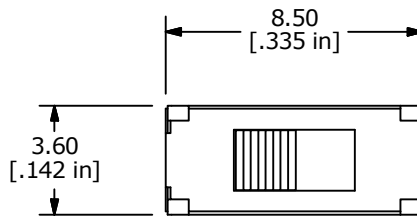
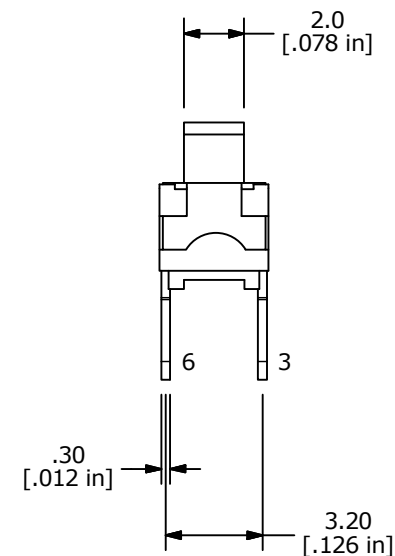
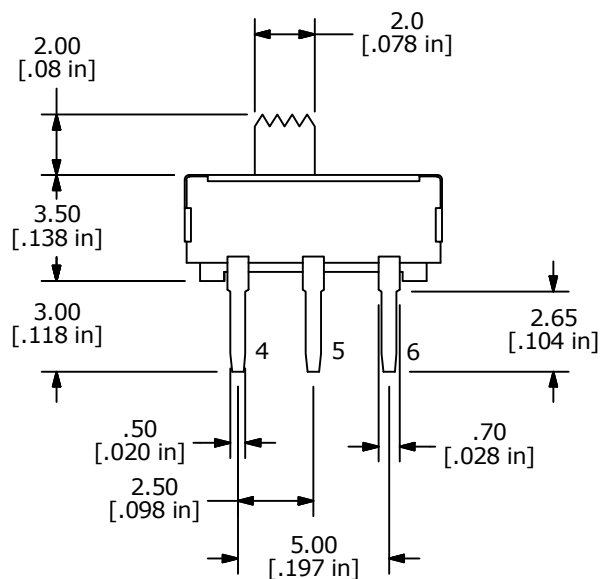


RECOMMENDED
PCB LAYOUT



CIRCUIT DIAGRAM



NOTES:

1. ALL DIMENSIONS IN MM
2. GENERAL TOLERANCE: X.X = ±0.4
X.XX = ±0.25
3. TERM. NUMBERS FOR REFERENCE ONLY.
4. CONTACT RATING: 0.3A @ 30VDC
5. TRAVEL: 2.0 mm
6. OPERATING FORCE: 250 ± 150gf
7. ▲ DENOTES CRITICAL PARAMETER



G	23801	update Circuit Diagram	3/7/19	MW
F	23607	UPDATED AND REDRAWN	10/5/18	MW
REV	PCR NO	DESCRIPTION	DATE	BY

E-SWITCH®				
TITLE EG1271 (SPDT NON-SHORTING)				
SCALE	DATE	DR	DWG	REV
4:1	10/5/2018	MW	P040046	G