



NO: PC-269 **PRODUCT:** CJ1W-PTS16 Analog Unit
DATE: April 2013 **TYPE:** Discontinuation Notice

CJ1W-PTS16 Process Analog I/O Unit will be Discontinued March 2014; Replace with CJ1W-PH41U

Discontinuation date: End of March 2014

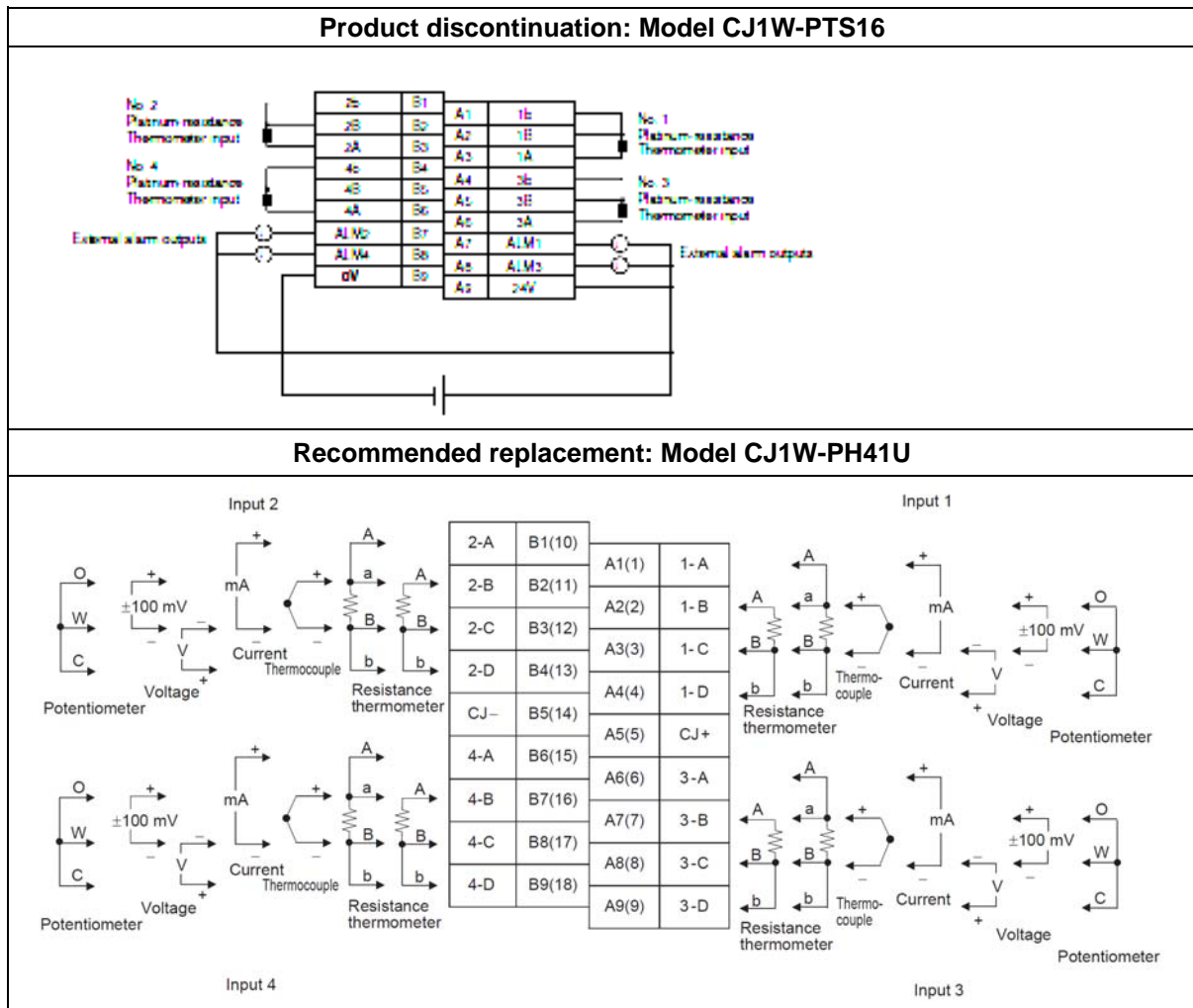
Affected Parts

Product discontinuation	Recommended replacement
CJ1W-PTS16	CJ1W-PH41U

Caution on Applying Recommended Replacement

CJ1W-PTS16 is a 2 point unit and the recommended replacement CJ1W-PH41U is a 4 point unit. Therefore wiring of the replacement unit will be different. See below in the wiring diagram for I/O layout and minor differences in specifications.

Wiring Diagram



Specifications

Item	Product discontinuation Model CJ1W-PTS16	Recommended replacement Model CJ1W-PH41U
Unit classification	CJ series special I/O units	CJ series special I/O units
Numbers of temperature sensor inputs	2 points	4 points
Temperature sensor type	Pt100 (JIS,IEC), JPt100, Pt50, Ni508.4	1/64000 resolution (Conversion period 10 ms) Pt100 (JIS, IEC 3-wire), JPt 00 (3-wire), Pt100 (JIS, IEC 4-wire), Thermocouple types: K, J, T, E, L, U, N, R, S, B, WRe5-26, PLII Current: 4 to 20 mA, 0 to 20 mA Voltage: 1 to 5 V, 0 to 1.25 V, 0 to 5 V, 0 to 10 V, (± 100 mV, -1.25 V to +1.25 V, -5 V to +5 V, -10 V to +10 V) user set range
Accuracy (25 degrees C)	$\pm 0.05\%$ or ± 0.1 degree	Pt100 (3-wire): $\pm 0.05\%$ JPt100 (3-wire): $\pm 0.05\%$ Pt1000 (3-wire): $\pm 0.05\%$ Pt100 (4-wire): $\pm 0.05\%$
Temperature coefficient	Pt100: $\pm 0.009\%$ / degree C JPt100: $\pm 0.01\%$ / degree C Pt50: $\pm 0.02\%$ / degree C Ni508.4: $\pm 0.012\%$ / degree C	Pt100 (3-wire): $\pm 0.08\%$ /degree C (-200.00 to 50.00 degree C), $\pm 0.03\%$ /degree C(-50.00 to 150.00 degree C), $\pm 0.08\%$ /degree C(150.00 to 850.00 degree C) JPt100 (3-wire): $\pm 0.07\%$ /degree C Pt1000 (3-wire): $\pm 0.09\%$ /degree C Pt100 (4-wire): $\pm 0.02\%$ /degree C (-200.00 to 850.00 degree C), $\pm 0.005\%$ /degree C (0.000 to 50.000 degree C)
Resolutions	1/64000	1/256000 (Conversion speed 60 ms) 1/64000 (Conversion speed 10 ms) 1/16000 (Conversion speed 5 ms)
Sensing method	3-wire method	3-wire, 4-wire method (Pt100)
Allowable lead wire resistance	20 Ω max per wire	20 Ω max per wire
Input detection current	0.5 mA	0.21 mA (3-wire) 0.42 mA (4-wire)
Warm-up time	10 min	30 min
Conversion period	10 ms/2 points	60 ms/4 points (1/25600) 10 ms/4 points (1/64000) 5 ms/4 points (1/16000)