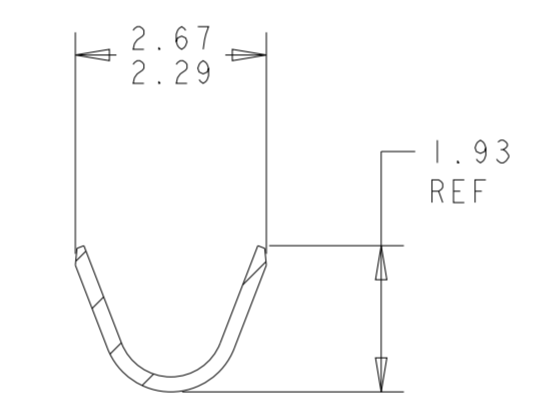
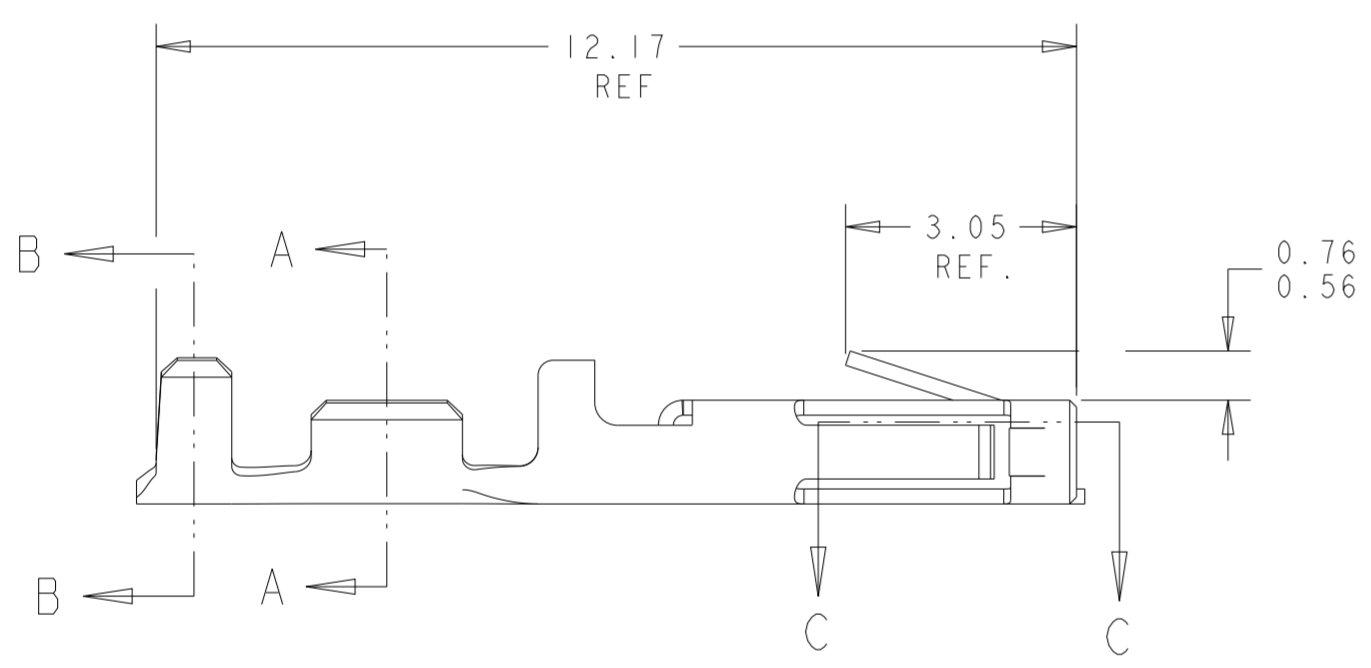
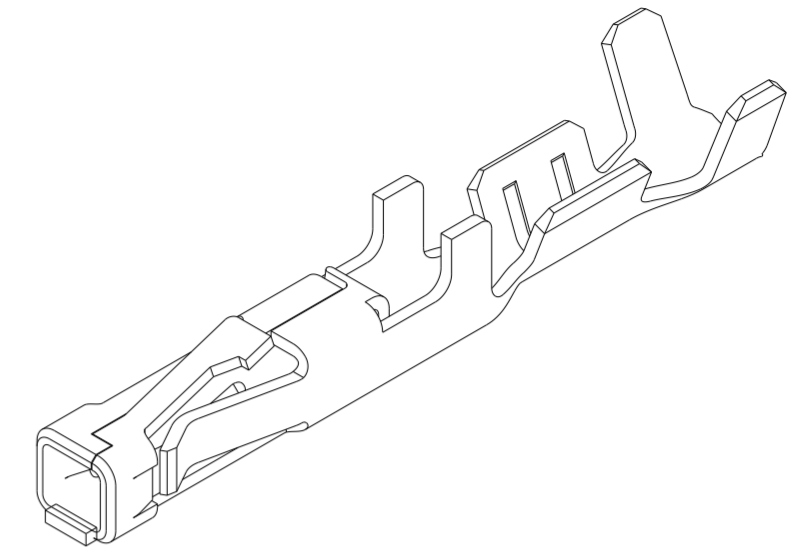
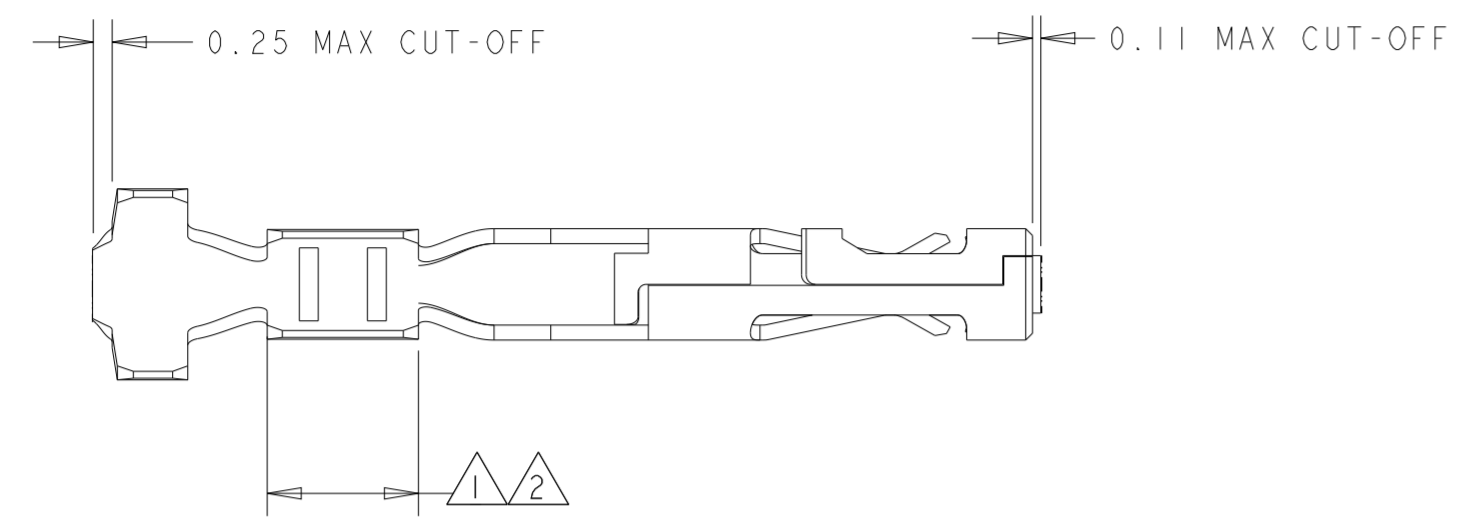
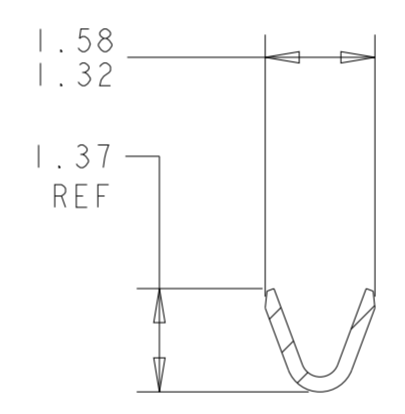


THIS DRAWING IS UNPUBLISHED. RELEASED FOR PUBLICATION  
 © COPYRIGHT 20 BY - ALL RIGHTS RESERVED.

LOC	DIST	REVISIONS					
CM	53	P	LTR	DESCRIPTION	DATE	DWN	APVD
		D1		REVISED PER ECO-11-005027	16MAR2011	RK	HMR
		D2		REVISED PER ECR-18-006831	12JUN2018	JB	DZ
		D3		ECO-19-006909	03MAY2019	AP	WS
		D4		REVISED PER ECN-22-186748	06DEC2022	WLS	VS

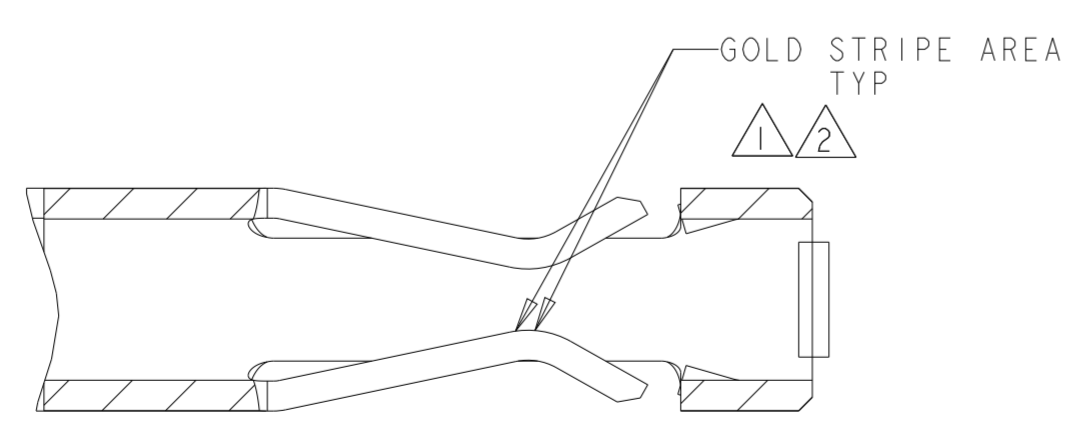


SECTION B-B



SECTION A-A

- 1 0.000762 THK GOLD STRIPE IN THE GOLD PLATE AREA, BRIGHT TIN IN THE CRIMP AREA, OVER NICKEL PLATE.
- 2 0.000381 THK GOLD STRIPE IN THE GOLD PLATE AREA, BRIGHT TIN IN THE CRIMP AREA, OVER NICKEL PLATE.
- 3 0.0015 - 0.0040 THK BRIGHT TIN.
- 4 WIRE RANGE: 26 - 30 AWG.
- 5 INSULATION RANGE 0.89 - 1.524.
- 7 0.000762 THK GOLD STRIPE IN THE GOLD PLATE AREA, BRIGHT TIN-LEAD IN THE CRIMP AREA, OVER NICKEL PLATE.
- 8 0.000381 THK GOLD STRIPE IN THE GOLD PLATE AREA, BRIGHT TIN-LEAD IN THE CRIMP AREA, OVER NICKEL PLATE.



SECTION C-C  
SCALE 20:1

	1	1-794611-2
	2	1-794611-1
SUPERSEDED BY 1-794611-2	7	794611-3
SUPERSEDED BY 1-794611-1	8	794611-2
	3	794611-1
REMARKS	FINISH	PART NUMBER

THIS DRAWING IS A CONTROLLED DOCUMENT.		DWN K. WHITAKER 19-OCT-1999	TE Connectivity	
DIMENSIONS: mm		CHK K. COBLE 19-OCT-1999		
TOLERANCES UNLESS OTHERWISE SPECIFIED:		APVD K. COBLE 19-OCT-1999	NAME	
0 PLC ±		PRODUCT SPEC	CONTACT, RECEPTACLE, CRIMP SNAP-IN, MICRO MATE-N-LOK(TM)	
1 PLC ±		APPLICATION SPEC	SIZE	CAGE CODE
2 PLC ±0.13		114-13000	A2	00779
3 PLC ±		WEIGHT	DRAWING NO	
4 PLC ±		-	C-794611	
ANGLES ±0.30°		CUSTOMER DRAWING	SCALE	SHEET
FINISH		SEE TABLE	10:1	1 OF 1
MATERIAL		0.2 PH BRZ	REV D4	