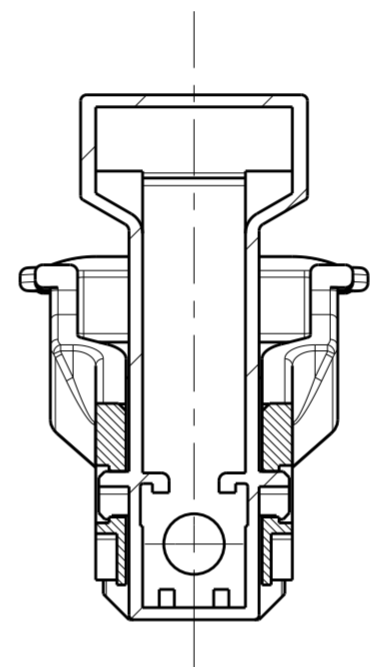
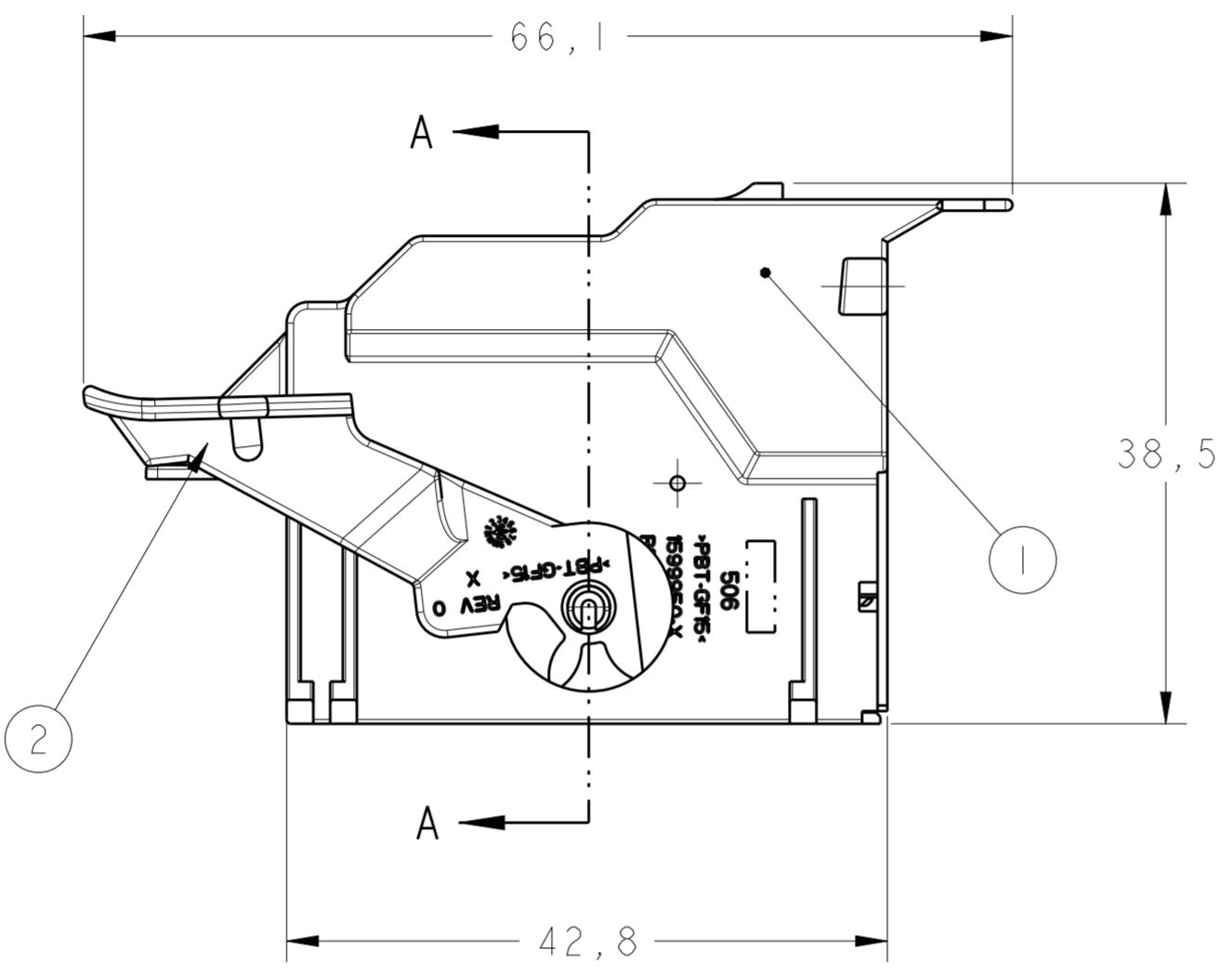
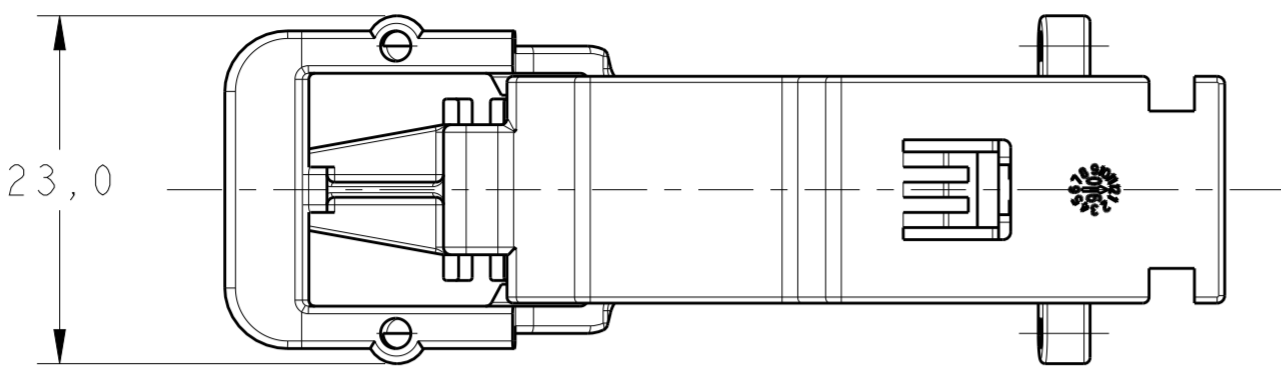


THIS DRAWING IS UNPUBLISHED. RELEASED FOR PUBLICATION 20
 © COPYRIGHT 20 BY - ALL RIGHTS RESERVED.

creo
 CreoParametri 8.0
 DO NOT REVISE
 EXCEPT BY CAD

REVISIONS				
P	LTR	DESCRIPTION	DATE	APVD
C		REVISED DRAWING ECO-17-004766	06APR2017	NCL NMS



SECTION A-A

GRAVAÇÕES MARKINGS
LOGOTIPO TE TE LOGO
CÓDIGO PAÍS PRODUTOR MANUFACTURER COUNTRY CODE
NOMENCLATURA MATERIAL MATERIAL NOMENCLATURE
NÚMERO COMPONENTE TE TE COMPONENT NUMBER
NÚMERO CAVIDADE CAVITY NUMBER
IDENTIFICAÇÃO CIRCUITO CIRCUIT IDENTIFICATION
REV+ LETRA REV.DA PEÇA REV.+ PART REV.LETTER
CÓDIGO DE DATA DATE CODE

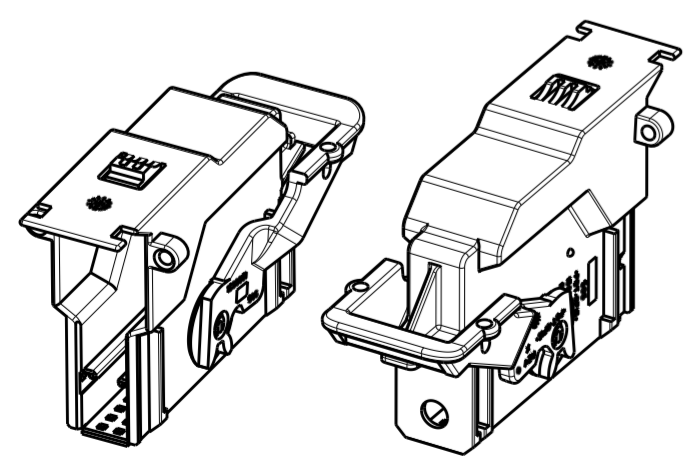
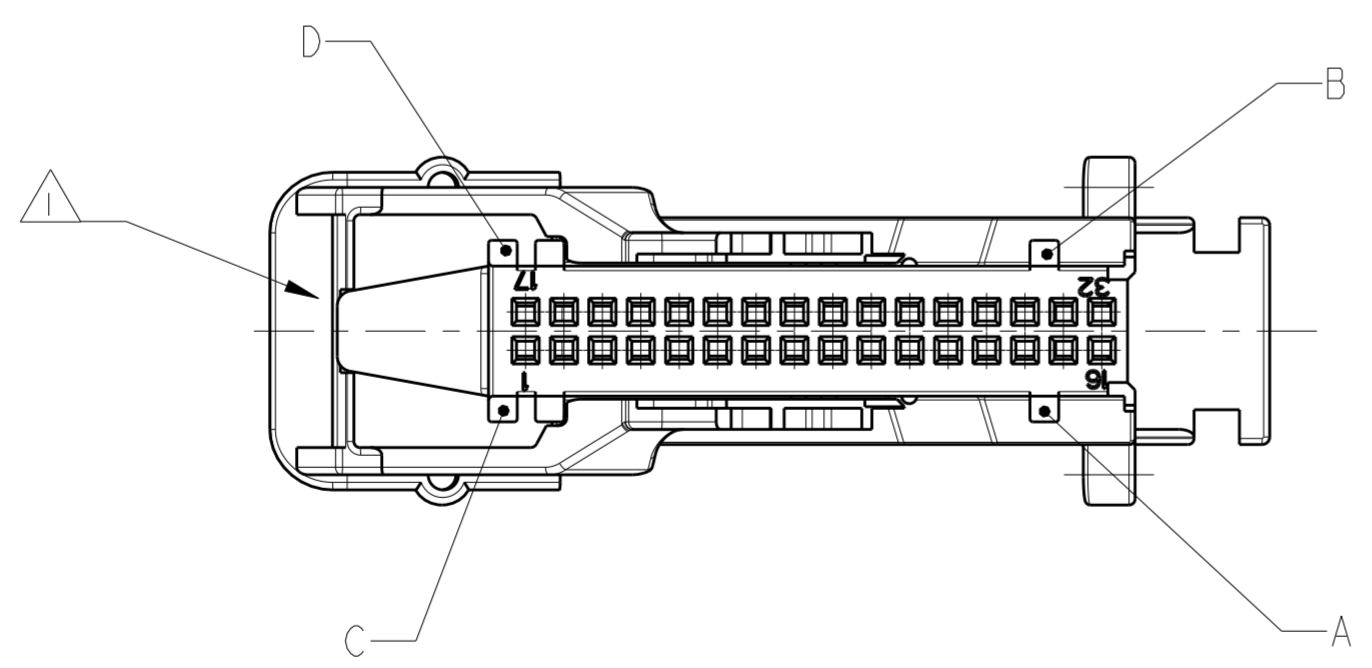
1 - LEVER DEVE ESTAR PRÉ-TRAVADO PARA MONTAGEM.
 LEVER DEVE ESTAR TRAVADO ATRAVÉS O DIMPLE.

2- EMBALAGEM: PEÇA SOLTA.
 3- USADO COM 1420000 E 1420001.

1 - LEVER ASSEMBLED IN PRE-LOCKED POSITION.
 LEVER MUST BE LOCKED BEHIND THE DIMPLE.

2- PACKAGING: LOOSE PIECE.
 3- USED WITH 1420000 AND 1420001.

PART NUMBER	CODE
1599952-1	BC
1599952-2	AD



PERSPECTIVE VIEW
 SCALE 1:1

REQ. PER ASSY	ITEM	DESCRIPTION	MATERIAL	FINISH
1	1	LEVER	>PBT-GF15<	VIOLETA/VIOLET
1	1	HOUSING COVER. MQS. 2x16 POSN.	>PBT-GF15<	AZUL/BLUE
1	1	HOUSING COVER. MQS. 2x16 POSN.	>PBT-GF15<	VERDE/GREEN
1599952	-2-1	ITEM	DESCRIPTION	MATERIAL

THIS DRAWING IS A CONTROLLED DOCUMENT.		DWN R.K.S.T. LEME 09AUG2006	TE Connectivity	
DIMENSIONS: mm		CHK R.L.FARIA 09AUG2006		
TOLERANCES UNLESS OTHERWISE SPECIFIED:		APVD C.G.MARTINS 09AUG2006	NAME HOUSING COVER ASSY, MQS 2X16 POSN.	
0 PLC ±	1 PLC ±0,3	PRODUCT SPEC	SIZE	
2 PLC ±	3 PLC ±	APPLICATION SPEC	CAGE CODE	
4 PLC ±	ANGLES ±	WEIGHT	DRAWING NO	
MATERIAL SEE TABLE material_2	FINISH SEE TABLE finish_spec_2	CUSTOMER DRAWING	RESTRICTED TO	
SCALE 2:1			SHEET 1 OF 1	
REV C				