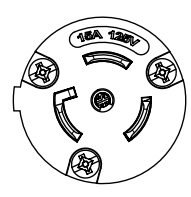
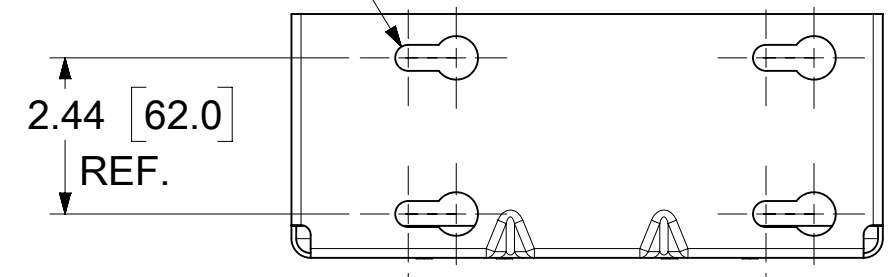


ORDER NO	130091-0212
WOODHEAD ENG. NO	997L-3070G
WIRE GAUGE	12
CONDUCTORS	3
AMPERAGE	15A
WORKING CORD	35 FT. BLACK
CORD TYPE	SJTOW
CONSTRUCTION	STEEL
PAINT	YELLOW POWDER COAT
REEL ENCLOSURE RATING	INDOOR
RETRACTION WEIGHT	3.0 LB [1.4 KG]

FACE VIEW OF LOCKING PLUG

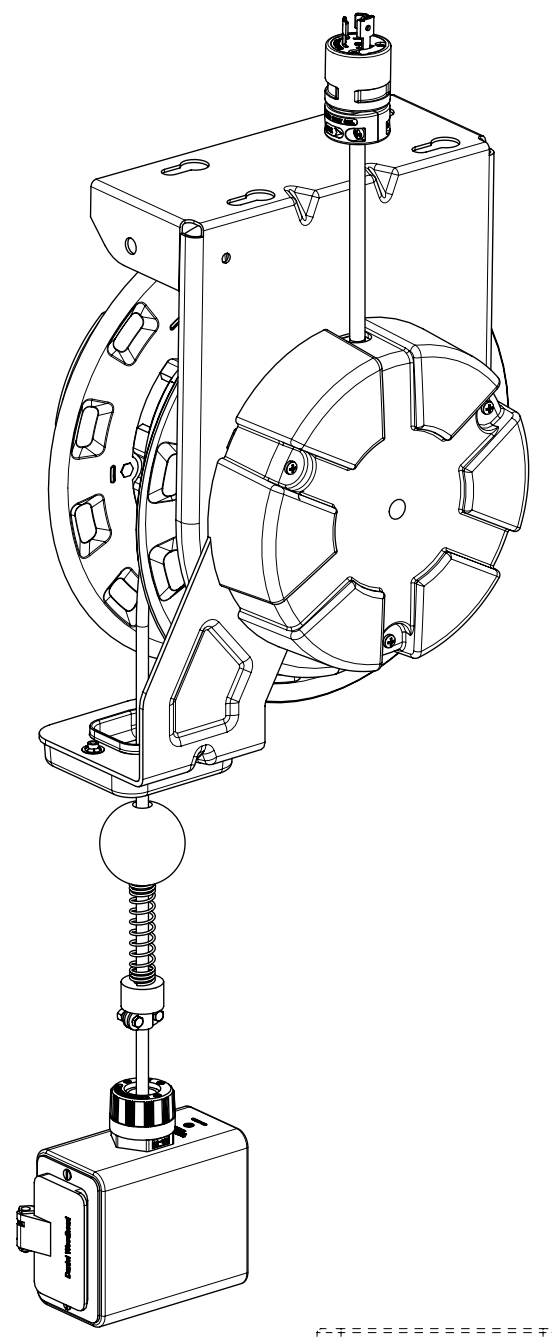


4X DIA.41 [10.3] REF.



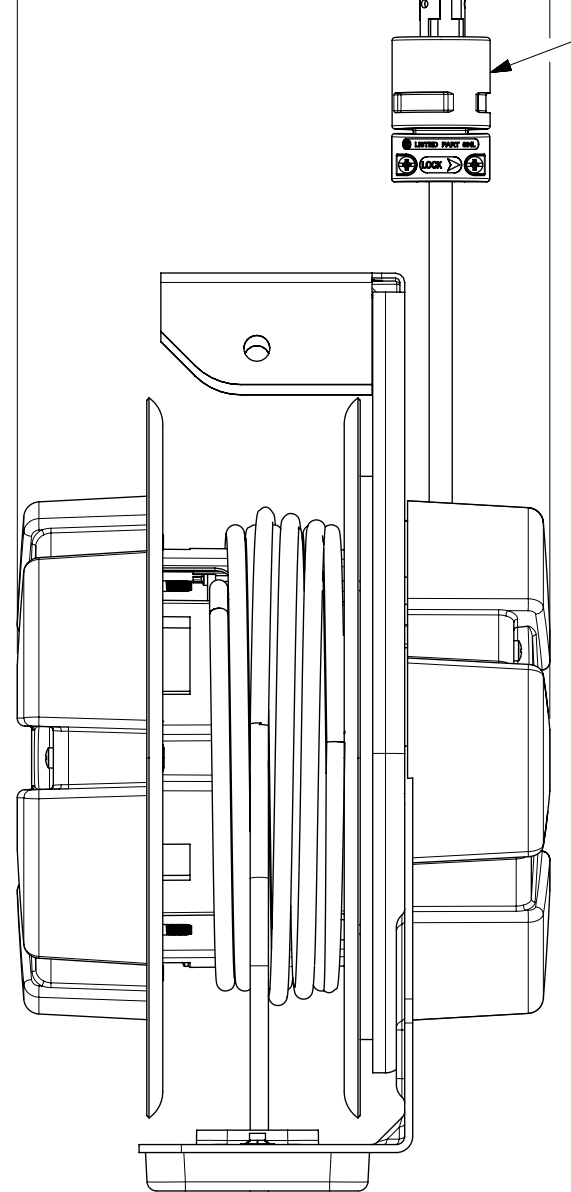
2.44 [62.0] REF.

5.59 [142] REF.

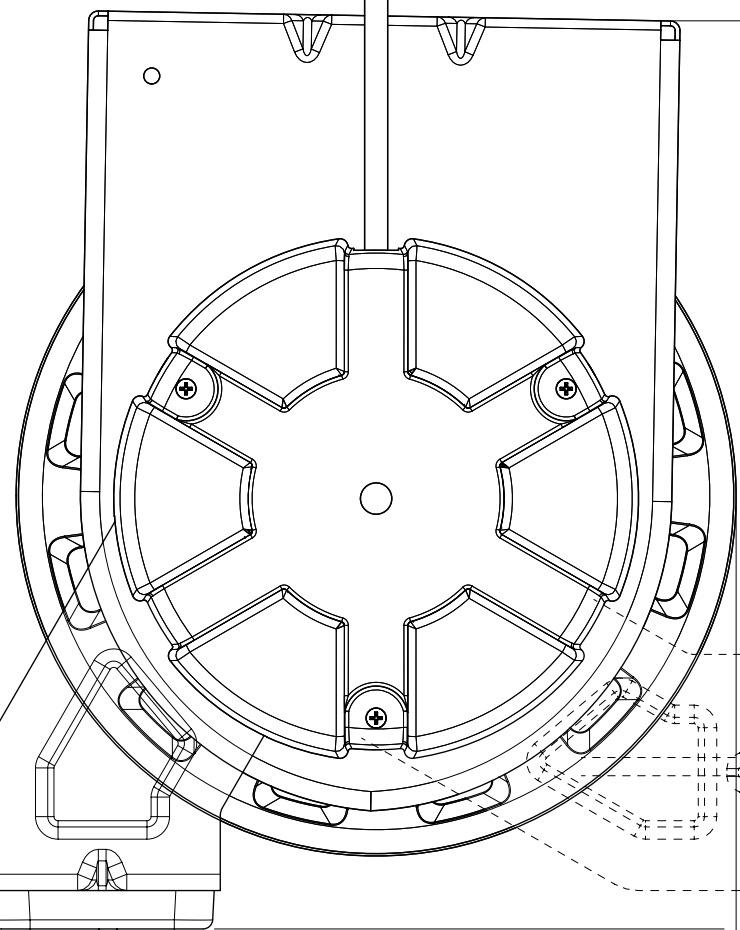


7.75 [197] REF.

NEMA L5-15 LOCKING PLUG  
COLOR YELLOW



23 IN. 12-3 SJTOW CABLE

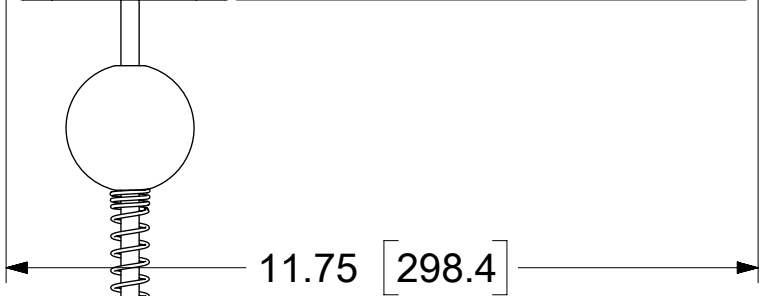


14.25 [362] REF.

GUIDE ARM CAN ROTATE 90°

CABLE STOP

ADJUSTABLE CLAMP

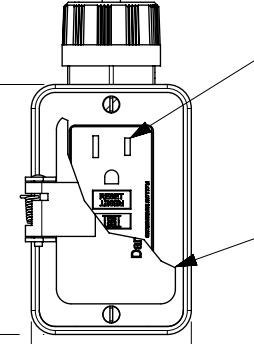


11.75 [298.4] REF.

NEMA 5-15 GFCI DUPLEX RECEPTACLE, ONE SIDE ONLY

FLIP LID COLOR: YELLOW

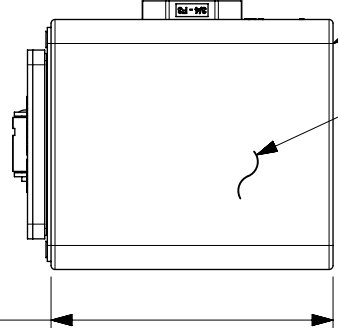
3.91 [99] REF.



2.5 [64] REF.

BLANK PLATE

NEOTEX RUBBER ENCLOSURE



4.4 [112] REF.

NOTES:

1. CABLE GUIDE IS ADJUSTABLE - DUAL POSITION
2. RATCHET LOCK IS EASY TO DISENGAGE FOR CONSTANT TENSION
3. REEL CANNOT BE "LOCKED OUT" AT FULL TENSION
4. CABLE STOP INCULDED

FUNCTIONAL SYMBOLS $\frac{F}{A} = 0$ $\frac{F}{E} = 0$ $\frac{F}{P} = 0$ DIVISIONAL SYMBOLS	THIS DRAWING CONTAINS INFORMATION THAT IS PROPRIETARY TO MOLEX ELECTRONIC TECHNOLOGIES, LLC AND SHOULD NOT BE USED WITHOUT WRITTEN PERMISSION		CURRENT REV DESC: RELEASE CUSTOMER DRAWING	
	INCH/MM	SCALE	NTS	
	GENERAL TOLERANCES (UNLESS SPECIFIED)			
		MM	INCH	
	4 PLACES ±			
	3 PLACES ±		± 0.005	
	2 PLACES ±	0.13	± 0.01	
	1 PLACE ±	0.25	± 0.02	
	0 PLACES ±			
	ANGULAR TOL	± 0.5°		
DRAFT WHERE APPLICABLE MUST REMAIN WITHIN DIMENSIONS		THIRD ANGLE PROJECTION	DRAWING	SERIES
			C-SIZE	130091
EC NO: 670807		DRWN: DSOPPIN	2020/07/09	
CHK'D: DSOPPIN		2022/06/08		
APPR: HKNEELAND		2022/06/09		
INITIAL REVISION:				
DRWN: KCOX01		2015/07/30		
APPR: JFMURPHY		2015/09/17		
DOCUMENT NUMBER		DOC TYPE	DOC PART	REVISION
SD-130091-022		PSD	001	A1
MATERIAL NUMBER		CUSTOMER	SHEET NUMBER	
SEE TABLE		GENERAL MARKET	1 OF 1	