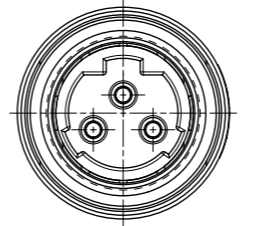
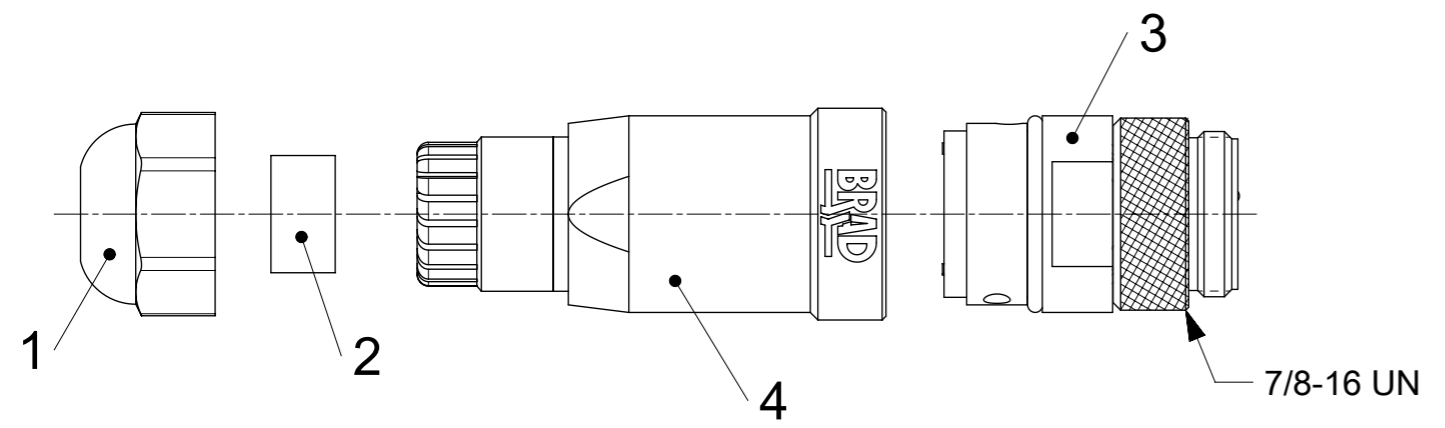
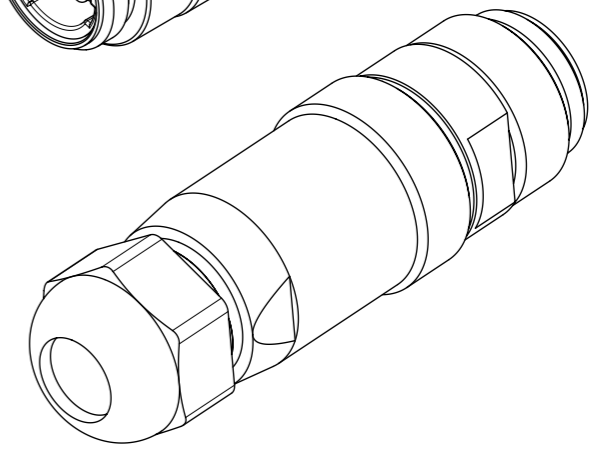
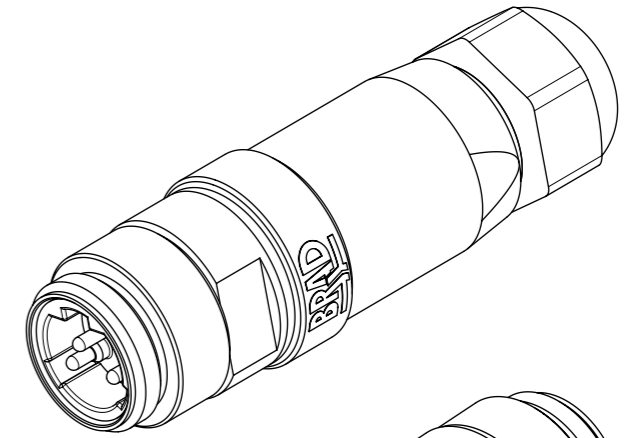
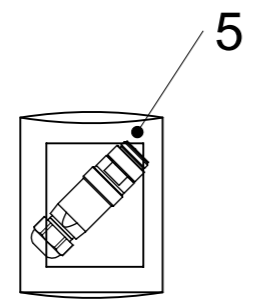


BACK SIDE
INSERT ONLY



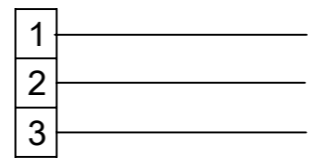
MALE FACE VIEW



NOTES:

- 1. MATERIAL: AS NOTED
- 2. FINISH: AS NOTED
- 3. ELECTRICAL:
VOLTAGE: 500V PER IEC60664
600V PER UL2237
CURRENT: 15A
- 4. WIRE RANGE: 24 TO 14AWG
- 5. TEMP RATING: -20° TO +80°C
- 6. PROTECTION: IP67 (WHEN MATED)
- 7. ALL DIMS ARE FOR REFERENCE
UNLESS NOTED OTHERWISE

WIRING CHART



BOM

ITEM	COMPONENT	MATERIAL	FINISH
1	HUT NUT PG 13.5	PA, BLACK	-
2	GASKET MO	NITRILE, BLACK	-
3	PLG MC 3P OC MA STR PA	-	-
4	SHELL PG13.5	PA, BLACK	-
5	POLYBAG 200x200x0.050	PE	-

CHART

PART NO.	ENGINEERING NO.
1300170062	1A3106-34PWR

SYMBOLS ▽ = 0 ▽ = 0 ▽ = 0 ▽ = 0 ▽ = 0 ▽ = 0 ▽ = 0 ▽ = 0 ▽ = 0 ▽ = 0 ▽ = 0	THIS DRAWING CONTAINS INFORMATION THAT IS PROPRIETARY TO MOLEX ELECTRONIC TECHNOLOGIES, LLC AND SHOULD NOT BE USED WITHOUT WRITTEN PERMISSION DIMENSION UNITS: MM/INCH SCALE: 1:1 GENERAL TOLERANCES (UNLESS SPECIFIED) ANGULAR TOL ± °	CURRENT REV DESC: BOM UPDATED EC NO: 632285 DRWN: RSCHIEBER 2020/02/12 CHK'D: RSILLER 2020/02/17 APPR: RSILLER 2020/02/17			
	4 PLACES ± 3 PLACES ± 2 PLACES ± 1 PLACE ± 0 PLACES ±	INITIAL REVISION: DRWN: RSCHIEBER 2016/02/02 APPR: CBRUNS 2016/03/16			
	DRAFT WHERE APPLICABLE MUST REMAIN WITHIN DIMENSIONS THIRD ANGLE PROJECTION DRAWING: A3-SIZE SERIES: 130017	MATERIAL NUMBER: SEE CHART CUSTOMER: GENERAL MARKET SHEET NUMBER: 1 OF 1			