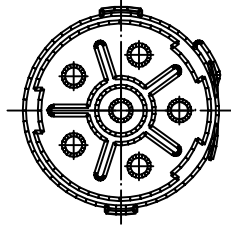
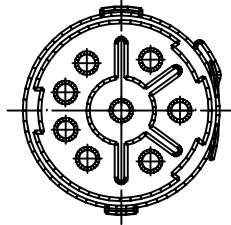


Views from "X" rotated

6-Pole
(5+1)



8-Pole

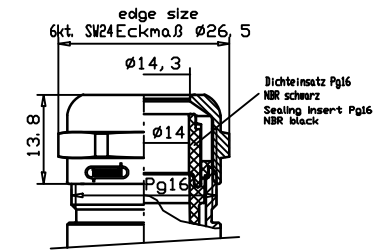
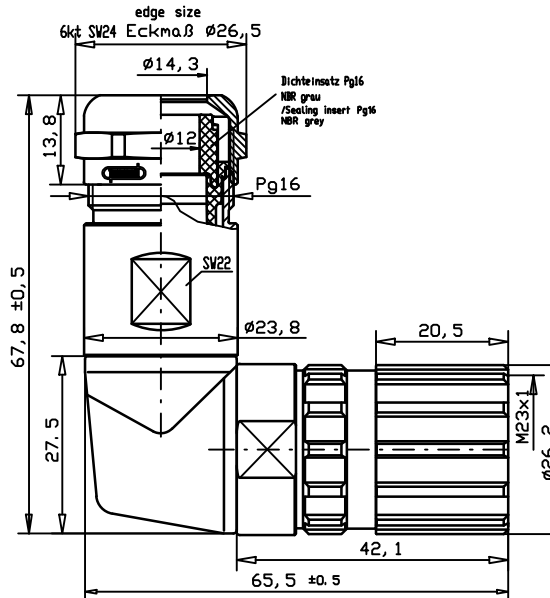


Cable Diameter

7 - 12 mm

Cable Diameter

11 - 17 mm



Cable Diameter		Crimp Contacts	Without Contacts
6 Pole (5+PE)	7 - 12mm	KAP6S01-105	KAP6S01-005
		1202330009	1202330011
	11 - 17mm	KAP6S01-109	KAP6S01-009
		1202330010	1202330012
	Crimp range*	0,75-2,5mm ²	
8 Pole	7 - 12mm	KAP8S01-115	KAP8S01-005
		1202330013	1202330015
	11 - 17mm	KAP8S01-119	KAP8S01-009
		1202330014	1202330016
	Crimp range*	0,25-1,0mm ² /0,75-2,5mm ²	

*Crimp range only applies to "Crimp Contacts" version

Notes:

Tolerances (unless specified): DIN ISO 2768 m

DESCRIPTION EC NO: IPG2015-0907 DRWN: BBR/ALCH 2014/11/18 CHKD: ZISMAYIL 2014/11/19 APPR: CBURGER	QUALITY SYMBOLS	GENERAL TOLERANCES (UNLESS SPECIFIED)	DIMENSION STYLE	SCALE	DESIGN UNITS	THIRD ANGLE PROJECTION
	▽ = 0 ▽ = 0	mm INCH 4 PLACES ± --- ± --- 3 PLACES ± --- ± --- 2 PLACES ± 0.05 ± --- 1 PLACE ± 0.1 ± --- 0 PLACE ± --- ± --- ANGULAR ± --- °	MM	---	METRIC	FA M23 XP FE RA
REV 2	DESCRIPTION	DRAFT WHERE APPLICABLE MUST REMAIN WITHIN DIMENSIONS	DRAWN BY DATE BB 2008/11/18 CHECKED BY DATE JKO 2008/12/09 APPROVED BY DATE ---	DOCUMENT NO. SD-120233-002		SHEET NO. 1 OF 1
SIZE A3			THIS DRAWING CONTAINS INFORMATION THAT IS PROPRIETARY TO MOLEX INCORPORATED AND SHOULD NOT BE USED WITHOUT WRITTEN PERMISSION			

