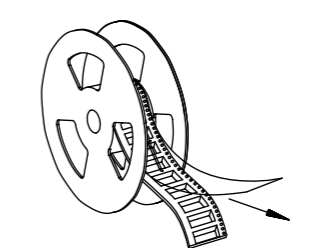


| CARRIER TAPE SPEC FOR SMT SINGLE VERTICAL HEADER OF NANO-FIT | | | | | |
|--|-------|-------|-------|-------|-------|
| CARRIER TAPE NUMBER | DIM A | DIM B | DIM D | DIM E | DIM F |
| 105431-8001 | 24.00 | N/A | 11.50 | 8.63 | 6.97 |
| 105431-8002 | 24.00 | N/A | 11.50 | 11.13 | 9.47 |
| 105431-8003 | 32.00 | 28.40 | 14.20 | 13.63 | 11.97 |
| 105431-8004 | 32.00 | 28.40 | 14.20 | 16.13 | 14.47 |
| 105431-8005 | 44.00 | 40.40 | 20.20 | 18.63 | 16.97 |
| 105431-8006 | 44.00 | 40.40 | 20.20 | 21.13 | 19.47 |
| 105431-8007 | 44.00 | 40.40 | 20.20 | 23.63 | 21.97 |

NOTES :
1. REELING DIRECTION IN DELIVERY.

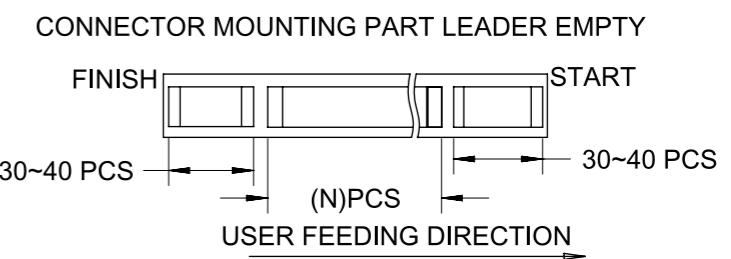


USER FEEDING DIRECTION

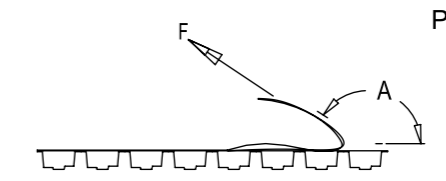


SECTION B-B

2. USER FEEDING DIRECTION

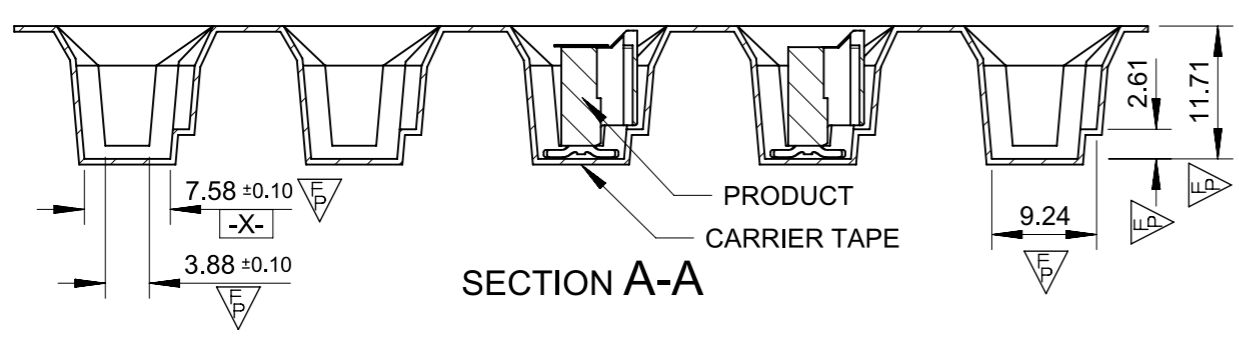


3. COVER TAPE PEELING FORCE



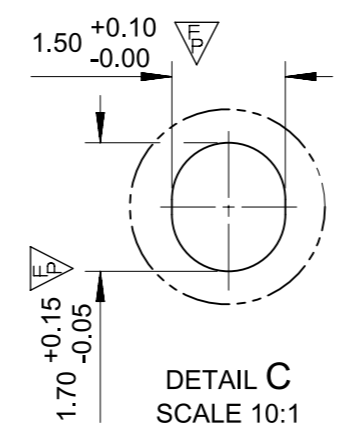
PEELING SPEED 300mm/Min.(REF.)

| | |
|---|-----------|
| A | 170°~180° |
| F | 0.1N~1.3N |



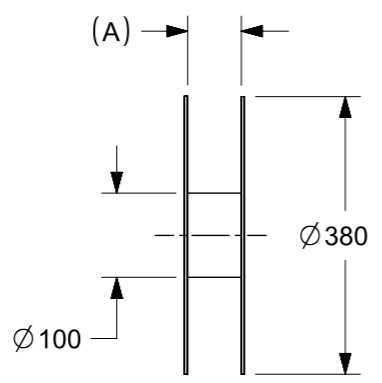
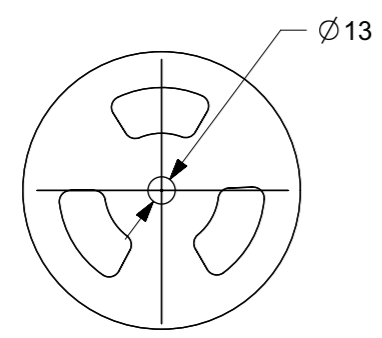
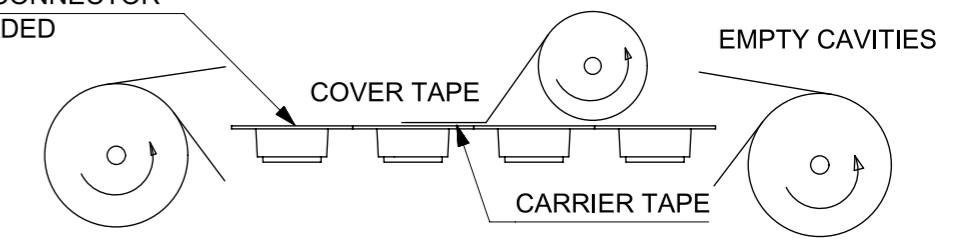
SECTION A-A

USER FEEDING DIRECTION



DETAIL C
SCALE 10:1

NANO-FIT CONNECTOR FULLY LOADED



| | | | | | | | |
|--|-------------|---|-----|-------------------|------|------------------------------|----------|
| FUNCTIONAL SYMBOLS | | THIS DRAWING CONTAINS INFORMATION THAT IS PROPRIETARY TO MOLEX ELECTRONIC TECHNOLOGIES, LLC AND SHOULD NOT BE USED WITHOUT WRITTEN PERMISSION | | CURRENT REV DESC: | | molex | |
| ▽A = 0 | mm | SCALE | 1:1 | | | | |
| GENERAL TOLERANCES (UNLESS SPECIFIED) | | | | | | PACKING DRAWING FOR NANO-FIT | |
| ▽E = 0 | ANGULAR TOL | | ± | ° | | PRODUCT CUSTOMER DRAWING | |
| ▽F = 0 | 4 PLACES | | ± | | | DOCUMENT NUMBER | |
| DIVISIONAL SYMBOLS | | 3 PLACES | | ± | | | DOC TYPE |
| | | 2 PLACES | | ± | 0.13 | | DOC PART |
| | | 1 PLACE | | ± | 0.25 | | REVISION |
| | | 0 PLACES | | ± | | | |
| DRAFT WHERE APPLICABLE MUST REMAIN WITHIN DIMENSIONS | | THIRD ANGLE PROJECTION | | DRAWING | | SERIES | |
| | | A3-SIZE | | 105431 | | MATERIAL NUMBER | |
| | | | | | | CUSTOMER | |
| | | | | | | GENERAL MARKET | |
| | | | | | | SHEET NUMBER | |
| | | | | | | 1 OF 2 | |



| REEL | COVER TAPE | CARRIER TAPE | PRODUCT NUMBER | | PARTS PER REEL | REELS PER CARTON | PARTS PER CARTON | |
|-----------|------------|--------------|----------------|--|----------------|------------------|------------------|--|
| 885961399 | 894990121 | 105431-8001 | WITH MYLAR | 105431-1102, 105431-1202, 105431-1302, 105431-1402 | 300 | 3 | 900 | |
| | | | WITHOUT MYLAR | 105431-1502, 105431-1602, 105431-1702, 105431-1802 | | | | |
| | | | WITHOUT MYLAR | 105431-2502, 105431-2602, 105431-2702, 105431-2802 | | | | |
| | | 105431-8002 | WITH MYLAR | 105431-1103, 105431-1203, 105431-1303, 105431-1403 | | | | |
| | | | WITHOUT MYLAR | 105431-2103, 105431-2203, 105431-2303, 105431-2403 | | | | |
| | | | WITHOUT MYLAR | 105431-1503, 105431-1603, 105431-1703, 105431-1803 | | | | |
| 885961400 | 894990122 | 105431-8003 | WITH MYLAR | 105431-1104, 105431-1204, 105431-1304, 105431-1404 | 300 | 3 | 900 | |
| | | | WITHOUT MYLAR | 105431-2104, 105431-2204, 105431-2304, 105431-2404 | | | | |
| | | | WITHOUT MYLAR | 105431-1504, 105431-1604, 105431-1704, 105431-1804 | | | | |
| | | 105431-8004 | WITH MYLAR | 105431-1105, 105431-1205, 105431-1305, 105431-1405 | | | | |
| | | | WITHOUT MYLAR | 105431-2105, 105431-2205, 105431-2305, 105431-2405 | | | | |
| | | | WITHOUT MYLAR | 105431-1505, 105431-1605, 105431-1705, 105431-1805 | | | | |
| 885961401 | 894990123 | 105431-8005 | WITH MYLAR | 105431-1106, 105431-1206, 105431-1306, 105431-1406 | 300 | 2 | 600 | |
| | | | WITHOUT MYLAR | 105431-2106, 105431-2206, 105431-2306, 105431-2406 | | | | |
| | | | WITHOUT MYLAR | 105431-1506, 105431-1606, 105431-1706, 105431-1806 | | | | |
| | | | 105431-8006 | WITH MYLAR | | | | 105431-1107, 105431-1207, 105431-1307, 105431-1407 |
| | | | | WITHOUT MYLAR | | | | 105431-2107, 105431-2207, 105431-2307, 105431-2407 |
| | | | | WITHOUT MYLAR | | | | 105431-1507, 105431-1607, 105431-1707, 105431-1807 |
| | | 105431-8007 | WITH MYLAR | 105431-1108, 105431-1208, 105431-1308, 105431-1408 | 300 | 2 | 600 | |
| | | | WITHOUT MYLAR | 105431-2108, 105431-2208, 105431-2308, 105431-2408 | | | | |
| | | | WITHOUT MYLAR | 105431-1508, 105431-1608, 105431-1708, 105431-1808 | | | | |
| | | | WITHOUT MYLAR | 105431-2508, 105431-2608, 105431-2708, 105431-2808 | | | | |
| | | | WITHOUT MYLAR | 105431-2508, 105431-2608, 105431-2708, 105431-2808 | | | | |
| | | | WITHOUT MYLAR | 105431-2508, 105431-2608, 105431-2708, 105431-2808 | | | | |

- NOTES :
1. STAPLES SHOULD ONLY BE USED TO SET UP CARTON. ALL CARTONS CLOSURES MUST BE DONE WITH TAPE.
 2. FILL PACKAGING BAGS WITH THE QUANTITIES AS INDICATED IN THE CHART



| | | | | | | | |
|--|---------------------------------------|---|-----|-------------------|--|-----------------|--|
| FUNCTIONAL SYMBOLS | | THIS DRAWING CONTAINS INFORMATION THAT IS PROPRIETARY TO MOLEX ELECTRONIC TECHNOLOGIES, LLC AND SHOULD NOT BE USED WITHOUT WRITTEN PERMISSION | | CURRENT REV DESC: | | molex | |
| ▽/A = 0 | mm | SCALE | 1:1 | EC NO: 670810 | | | |
| ▽/E = 0 | GENERAL TOLERANCES (UNLESS SPECIFIED) | | | DRWN: GLLI | | 2021/07/21 | |
| ▽/P = 0 | ANGULAR TOL ± ° | | | CHK'D: YXZHENG | | 2021/07/22 | |
| DIVISIONAL SYMBOLS | | 4 PLACES ± | | APPR: YXZHENG | | 2021/07/22 | |
| | | 3 PLACES ± | | INITIAL REVISION: | | DOCUMENT NUMBER | |
| | | 2 PLACES ± 0.13 | | DRWN: GLLI | | 1054311000-PK | |
| | | 1 PLACE ± 0.25 | | APPR: YXZHENG | | PSD 000 A | |
| | | 0 PLACES ± | | 2021/07/21 | | 2021/07/22 | |
| DRAFT WHERE APPLICABLE MUST REMAIN WITHIN DIMENSIONS | | THIRD ANGLE PROJECTION | | DRAWING | | SERIES | |
| | | A3-SIZE | | 105431 | | MATERIAL NUMBER | |
| | | | | CUSTOMER | | GENERAL MARKET | |
| | | | | | | SHEET NUMBER | |
| | | | | | | 2 OF 2 | |



RECOMMENDED PCB LAYOUT(CONNECTOR SIDE VIEW)
THICKNESS=1.60mm MIN. TOLERANCE:±0.05

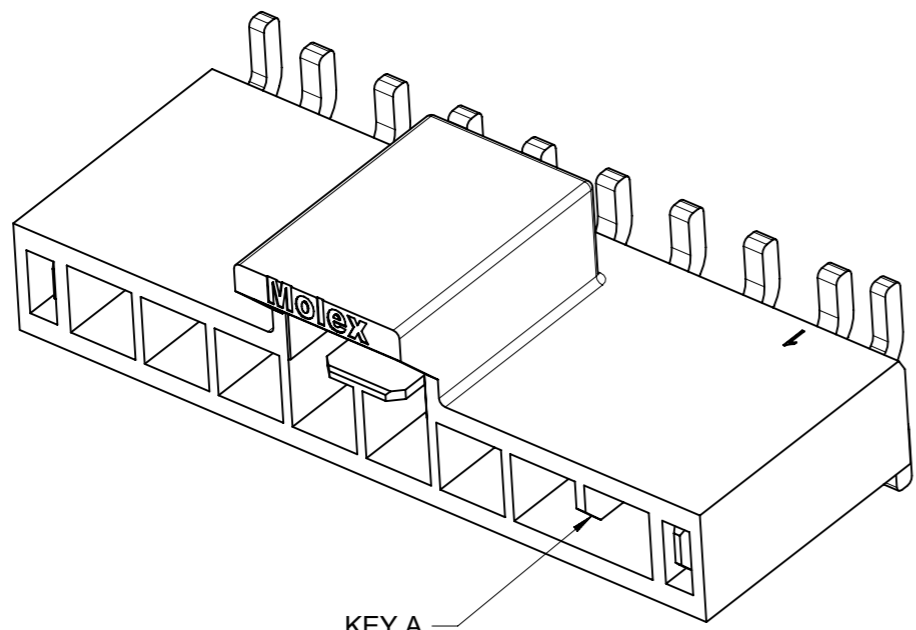


WITHOUT MYLAR

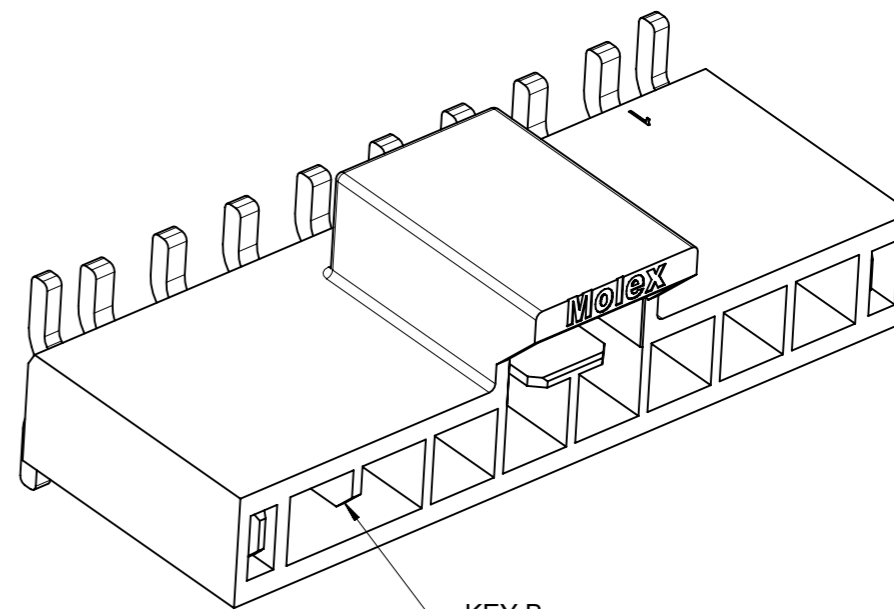


WITH MYLAR

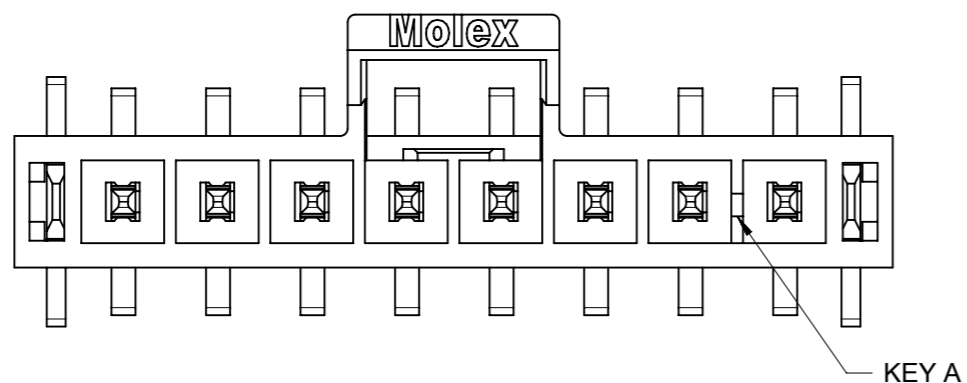
| THIS DRAWING CONTAINS INFORMATION THAT IS PROPRIETARY TO MOLEX ELECTRONIC TECHNOLOGIES, LLC AND SHOULD NOT BE USED WITHOUT WRITTEN PERMISSION | | | | | | | | | | | | | |
|---|--|----------------|---------------|---------------------------------------|--|-----------------|--------------------------|--|-----------------|-----------------|----------------|----------|--------------|
| QUALITY SYMBOLS ▽A = 0 ▽E = 0 ▽F = 0 ▼ = 0 ▽C = 0 ⊗ = 0 ■ = 0 ▽ = 0 | 2021/04/27 | 2021/07/22 | 2021/07/22 | GENERAL TOLERANCES (UNLESS SPECIFIED) | | DIMENSION UNITS | SCALE | | | | | | |
| | DRWN: GLLI | CHK'D: YXZHENG | APPR: YXZHENG | ANGULAR TOL ± 3.0 ° | | mm | 5:1 | | | | | | |
| | EC NO: 670810 DRWN: GLLI CHK'D: YXZHENG APPR: YXZHENG | 4 PLACES | ± | 4 PLACES ± | | DRWN BY | DATE | SD DRAWING FOR NANO-FIT HEADER OF SMT VERTICAL SINGLE CONN. | | | | | |
| | | 3 PLACES | ± | 3 PLACES ± | | WJHUO | 2014/10/30 | | | | | | |
| | | 2 PLACES | ± 0.2 | 2 PLACES ± 0.2 | | CHK'D BY | DATE | | | | | | |
| | | 1 PLACE | ± 0.3 | 1 PLACE ± 0.3 | | AYIN | 2015/03/12 | | | | | | |
| | 0 PLACES ± | | 0 PLACES ± | | APPR BY | DATE | PRODUCT CUSTOMER DRAWING | | SERIES | MATERIAL NUMBER | CUSTOMER | | |
| | DRAFT WHERE APPLICABLE MUST REMAIN WITHIN DIMENSIONS | | | | DRAFT WHERE APPLICABLE MUST REMAIN WITHIN DIMENSIONS | | DRAWING SIZE | THIRD ANGLE PROJECTION | 105431 | SEE TABLE | GENERAL MARKET | | |
| | | | | | | | A3 | | DOCUMENT NUMBER | | DOC TYPE | DOC PART | SHEET NUMBER |
| | | | | | | | | | SD-105431-001 | PSD | 000 | 1 OF 4 | |



KEY A

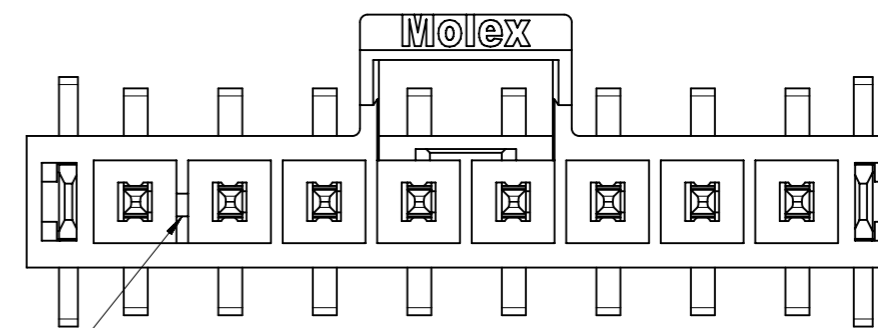


KEY B



KEY A

BLACK



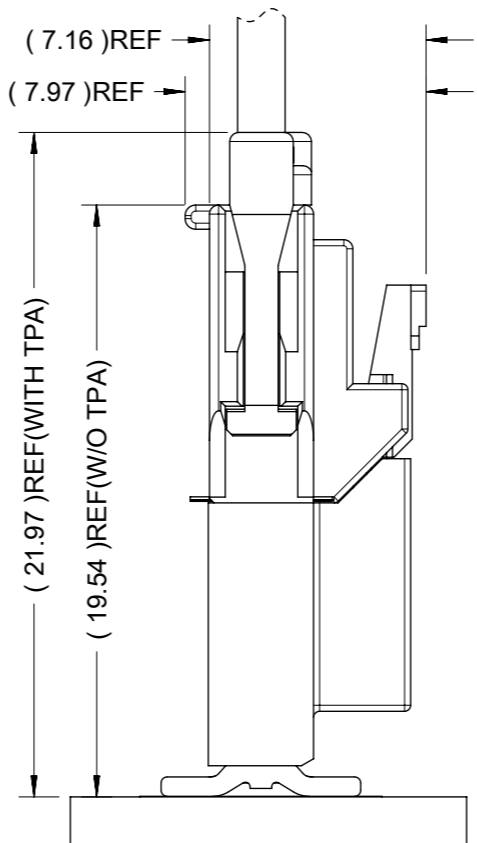
KEY B

NATURAL

COLOR OPTION

| | | | | | | | |
|---------|---|-------|---------------------------|--|--------------------------|--|--------------|
| SYMBOLS | THIS DRAWING CONTAINS INFORMATION THAT IS PROPRIETARY TO MOLEX ELECTRONIC TECHNOLOGIES, LLC AND SHOULD NOT BE USED WITHOUT WRITTEN PERMISSION | | CURRENT REV DESC: | | molex | | |
| | DIMENSION UNITS | SCALE | | | | | |
| ▽ = 0 | mm | | EC NO: 670810 | | PRODUCT CUSTOMER DRAWING | | |
| ▽ = 0 | GENERAL TOLERANCES (UNLESS SPECIFIED) | | DRWN: GLLI 2021/04/27 | | DOCUMENT NUMBER | | |
| ▽ = 0 | ANGULAR TOL ± 3.0° | | CHK'D: YXZHENG 2021/07/22 | | DOC TYPE | | DOC PART |
| ▽ = 0 | 4 PLACES ± | | APPR: YXZHENG 2021/07/22 | | SD-105431-001 | | REVISION |
| ▽ = 0 | 3 PLACES ± | | INITIAL REVISION: | | PSD | | 000 |
| ▽ = 0 | 2 PLACES ± 0.2 | | DRWN: RMV02 2016/01/14 | | D1 | | |
| ▽ = 0 | 1 PLACE ± 0.3 | | APPR: AYIN 2017/05/15 | | MATERIAL NUMBER | | CUSTOMER |
| ▽ = 0 | 0 PLACES ± | | THIRD ANGLE PROJECTION | | SERIES | | SHEET NUMBER |
| ▽ = 0 | DRAFT WHERE APPLICABLE MUST REMAIN WITHIN DIMENSIONS | | DRAWING | | GENERAL MARKET | | 2 OF 4 |
| ▽ = 0 | | | A3-SIZE | | 105431 | | |

| 9 | | 8 | | | 7 | | 6 | | 5 | | 4 | | 3 | | | 2 | | 1 | | | | | | | |
|--------------------------|-----------------------------|--------|--------|--------|----------|-----------|----------------|-----------|-----|--|---|--|---|--|--|-------------|-------------|--------------------------|-----------------------------|-------------|-------------|--------|----------|---------|------|
| PART NUMBER (WITH MYLAR) | PART NUMBER (WITHOUT MYLAR) | DIM. A | DIM. B | DIM. C | CKT SIZE | PLATING | LUBE | | | | | | | | | | | PART NUMBER (WITH MYLAR) | PART NUMBER (WITHOUT MYLAR) | DIM. A | DIM. B | DIM. C | CKT SIZE | PLATING | LUBE |
| 105431-1102 | 105431-1502 | 8.23 | 2.50 | 6.11 | 2 | TIN | | | | | | | | | | | | 105431-2102 | 105431-2502 | 8.23 | 2.50 | 6.11 | 2 | TIN | |
| 105431-1103 | 105431-1503 | 10.73 | 5.00 | 8.61 | 3 | | | | | | | | | | | | | 105431-2103 | 105431-2503 | 10.73 | 5.00 | 8.61 | 3 | | |
| 105431-1104 | 105431-1504 | 13.23 | 7.50 | 11.11 | 4 | | | | | | | | | | | | | 105431-2104 | 105431-2504 | 13.23 | 7.50 | 11.11 | 4 | | |
| 105431-1105 | 105431-1505 | 15.73 | 10.00 | 13.61 | 5 | | | | | | | | | | | | | 105431-2105 | 105431-2505 | 15.73 | 10.00 | 13.61 | 5 | | |
| 105431-1106 | 105431-1506 | 18.23 | 12.50 | 16.11 | 6 | | | | | | | | | | | | | 105431-2106 | 105431-2506 | 18.23 | 12.50 | 16.11 | 6 | | |
| 105431-1107 | 105431-1507 | 20.73 | 15.00 | 18.61 | 7 | | | | | | | | | | | | | 105431-2107 | 105431-2507 | 20.73 | 15.00 | 18.61 | 7 | | |
| 105431-1108 | 105431-1508 | 23.23 | 17.50 | 21.11 | 8 | | | | | | | | | | | | | 105431-2108 | 105431-2508 | 23.23 | 17.50 | 21.11 | 8 | | |
| 105431-1202 | 105431-1602 | 8.23 | 2.50 | 6.11 | 2 | | | GOLD 0.38 | NO | | | | | | | | | | | 105431-2202 | 105431-2602 | 8.23 | 2.50 | | |
| 105431-1203 | 105431-1603 | 10.73 | 5.00 | 8.61 | 3 | | | | | | | | | | | 105431-2203 | 105431-2603 | 10.73 | 5.00 | 8.61 | 3 | | | | |
| 105431-1204 | 105431-1604 | 13.23 | 7.50 | 11.11 | 4 | | | | | | | | | | | 105431-2204 | 105431-2604 | 13.23 | 7.50 | 11.11 | 4 | | | | |
| 105431-1205 | 105431-1605 | 15.73 | 10.00 | 13.61 | 5 | | | | | | | | | | | 105431-2205 | 105431-2605 | 15.73 | 10.00 | 13.61 | 5 | | | | |
| 105431-1206 | 105431-1606 | 18.23 | 12.50 | 16.11 | 6 | | | | | | | | | | | 105431-2206 | 105431-2606 | 18.23 | 12.50 | 16.11 | 6 | | | | |
| 105431-1207 | 105431-1607 | 20.73 | 15.00 | 18.61 | 7 | | | | | | | | | | | 105431-2207 | 105431-2607 | 20.73 | 15.00 | 18.61 | 7 | | | | |
| 105431-1208 | 105431-1608 | 23.23 | 17.50 | 21.11 | 8 | | | | | | | | | | | 105431-2208 | 105431-2608 | 23.23 | 17.50 | 21.11 | 8 | | | | |
| 105431-1302 | 105431-1702 | 8.23 | 2.50 | 6.11 | 2 | GOLD 0.76 | | | | | | | | | | | | | | 105431-2302 | 105431-2702 | 8.23 | 2.50 | 6.11 | 2 |
| 105431-1303 | 105431-1703 | 10.73 | 5.00 | 8.61 | 3 | | | | | | | | | | | | | 105431-2303 | 105431-2703 | 10.73 | 5.00 | 8.61 | 3 | | |
| 105431-1304 | 105431-1704 | 13.23 | 7.50 | 11.11 | 4 | | | | | | | | | | | | | 105431-2304 | 105431-2704 | 13.23 | 7.50 | 11.11 | 4 | | |
| 105431-1305 | 105431-1705 | 15.73 | 10.00 | 13.61 | 5 | | | | | | | | | | | | | 105431-2305 | 105431-2705 | 15.73 | 10.00 | 13.61 | 5 | | |
| 105431-1306 | 105431-1706 | 18.23 | 12.50 | 16.11 | 6 | | | | | | | | | | | | | 105431-2306 | 105431-2706 | 18.23 | 12.50 | 16.11 | 6 | | |
| 105431-1307 | 105431-1707 | 20.73 | 15.00 | 18.61 | 7 | | | | | | | | | | | | | 105431-2307 | 105431-2707 | 20.73 | 15.00 | 18.61 | 7 | | |
| 105431-1308 | 105431-1708 | 23.23 | 17.50 | 21.11 | 8 | | | | | | | | | | | | | 105431-2308 | 105431-2708 | 23.23 | 17.50 | 21.11 | 8 | | |
| 105431-1402 | 105431-1802 | 8.23 | 2.50 | 6.11 | 2 | | | GOLD 0.76 | YES | | | | | | | | | | | 105431-2402 | 105431-2802 | 8.23 | 2.50 | 6.11 | 2 |
| 105431-1403 | 105431-1803 | 10.73 | 5.00 | 8.61 | 3 | | | | | | | | | | | 105431-2403 | 105431-2803 | 10.73 | 5.00 | 8.61 | 3 | | | | |
| 105431-1404 | 105431-1804 | 13.23 | 7.50 | 11.11 | 4 | | | | | | | | | | | 105431-2404 | 105431-2804 | 13.23 | 7.50 | 11.11 | 4 | | | | |
| 105431-1405 | 105431-1805 | 15.73 | 10.00 | 13.61 | 5 | | | | | | | | | | | 105431-2405 | 105431-2805 | 15.73 | 10.00 | 13.61 | 5 | | | | |
| 105431-1406 | 105431-1806 | 18.23 | 12.50 | 16.11 | 6 | | | | | | | | | | | 105431-2406 | 105431-2806 | 18.23 | 12.50 | 16.11 | 6 | | | | |
| 105431-1407 | 105431-1807 | 20.73 | 15.00 | 18.61 | 7 | | | | | | | | | | | 105431-2407 | 105431-2807 | 20.73 | 15.00 | 18.61 | 7 | | | | |
| 105431-1408 | 105431-1808 | 23.23 | 17.50 | 21.11 | 8 | | | | | | | | | | | 105431-2408 | 105431-2808 | 23.23 | 17.50 | 21.11 | 8 | | | | |
| COLOR: BLACK | | | | | | | COLOR: NATURAL | | | | | | | | | | | | | | | | | | |



NOTES FOR ALL PARTS

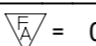
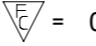
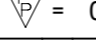
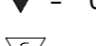
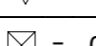

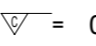


1> MATERIAL:
HOUSING: LCP, UL 94V-0.
TERMINAL: BRASS.
SOLDER CLIP: BRASS.

2> PLATING FINISHED:
TERMINAL:
CONTACT AREA:
a. REFLOWED MATTE TIN 0.76 MICRONS MIN; b. GOLD 0.38 MICRONS MIN; c. GOLD 0.76 MICRONS MIN.
SOLDER AREA: TIN 0.76 MICRONS MINIMUM.
UNDER PLATING NICKEL 1.25 MICRONS MINIMUM.
SOLDER CLIP: TIN 2.5 MICRONS MINIMUM; UNDER PLATING NICKEL 1.25 MICRONS MINIMUM.

3> PRODUCT SPECIFICATION: PS-105405-001.
4> PACKAGE: TAPE REEL, DETAILS REFER TO DRAWING 1054311000-PK.
5> ALL COMPONENTS AND PRODUCT COMPLIANT TO RoHS DIRECTIVE 2011/65/EU AND ELV DIRECTIVE 2000/53/EC.
6> PRODUCT MATE WITH SERIES OF 105307(RECEPTACLE), 105300(CRIMP TERMINAL).
7> PARTS CONFORM TO CLASS 'B' REQUIREMENTS OF COSMETIC SPECIFICATION PS-45499-002.

| <table border="1"> <tr><th>QUALITY SYMBOLS</th><td>▽A = 0</td></tr> <tr><td>▽E = 0</td></tr> <tr><td>▽B = 0</td></tr> <tr><td>▼ = 0</td></tr> <tr><td>▽C = 0</td></tr> <tr><td>⊗ = 0</td></tr> <tr><td>■ = 0</td></tr> <tr><td>▽ = 0</td></tr> </table> | | | | | | | | | | QUALITY SYMBOLS | ▽A = 0 | ▽E = 0 | ▽B = 0 | ▼ = 0 | ▽C = 0 | ⊗ = 0 | ■ = 0 | ▽ = 0 | <p>THIS DRAWING CONTAINS INFORMATION THAT IS PROPRIETARY TO MOLEX ELECTRONIC TECHNOLOGIES, LLC AND SHOULD NOT BE USED WITHOUT WRITTEN PERMISSION</p> <table border="1"> <tr> <td>EC NO: 670810</td> <td>DRWN: GLLI</td> <td>CHK'D: YXZHENG</td> <td>APPR: YXZHENG</td> <td>DATE: 2021/04/27</td> <td>DATE: 2021/07/22</td> <td>DATE: 2021/07/22</td> <td colspan="2">GENERAL TOLERANCES (UNLESS SPECIFIED)</td> <td>DIMENSION UNITS</td> <td>SCALE</td> <td colspan="4" rowspan="4"> <p>SD DRAWING FOR NANO-FIT HEADER OF SMT VERTICAL SINGLE CONN.</p> <p>PRODUCT CUSTOMER DRAWING</p> <table border="1"> <tr> <td>SERIES</td> <td>MATERIAL NUMBER</td> <td colspan="2">CUSTOMER</td> </tr> <tr> <td>105431</td> <td>SEE TABLE</td> <td colspan="2">GENERAL MARKET</td> </tr> <tr> <td colspan="2">DOCUMENT NUMBER</td> <td>DOC TYPE</td> <td>DOC PART</td> <td>SHEET NUMBER</td> </tr> <tr> <td colspan="2">SD-105431-001</td> <td>PSD</td> <td>000</td> <td>3 OF 4</td> </tr> </table> </td> </tr> <tr> <td colspan="2">ANGULAR TOL ± 3.0 °</td> <td>mm</td> <td>5:1</td> <td colspan="2">DRWN BY</td> <td colspan="2">DATE</td> <td colspan="2">WJHUO</td> <td colspan="2">2014/10/30</td> </tr> <tr> <td>4 PLACES ±</td> <td colspan="2">3 PLACES ±</td> <td colspan="2">CHK'D BY</td> <td colspan="2">DATE</td> <td colspan="2">AYIN</td> <td colspan="2">2015/03/12</td> </tr> <tr> <td>2 PLACES ± 0.2</td> <td>1 PLACE ± 0.3</td> <td>0 PLACES ±</td> <td colspan="2">APPR BY</td> <td colspan="2">DATE</td> <td>DRAWING SIZE</td> <td>THIRD ANGLE PROJECTION</td> <td colspan="2">A3</td> <td colspan="2"> </td> </tr> <tr> <td colspan="10">DRAFT WHERE APPLICABLE MUST REMAIN WITHIN DIMENSIONS</td> <td colspan="4"></td> </tr> </table> | | | | | | | | | | EC NO: 670810 | DRWN: GLLI | CHK'D: YXZHENG | APPR: YXZHENG | DATE: 2021/04/27 | DATE: 2021/07/22 | DATE: 2021/07/22 | GENERAL TOLERANCES (UNLESS SPECIFIED) | | DIMENSION UNITS | SCALE | <p>SD DRAWING FOR NANO-FIT HEADER OF SMT VERTICAL SINGLE CONN.</p> <p>PRODUCT CUSTOMER DRAWING</p> <table border="1"> <tr> <td>SERIES</td> <td>MATERIAL NUMBER</td> <td colspan="2">CUSTOMER</td> </tr> <tr> <td>105431</td> <td>SEE TABLE</td> <td colspan="2">GENERAL MARKET</td> </tr> <tr> <td colspan="2">DOCUMENT NUMBER</td> <td>DOC TYPE</td> <td>DOC PART</td> <td>SHEET NUMBER</td> </tr> <tr> <td colspan="2">SD-105431-001</td> <td>PSD</td> <td>000</td> <td>3 OF 4</td> </tr> </table> | | | | SERIES | MATERIAL NUMBER | CUSTOMER | | 105431 | SEE TABLE | GENERAL MARKET | | DOCUMENT NUMBER | | DOC TYPE | DOC PART | SHEET NUMBER | SD-105431-001 | | PSD | 000 | 3 OF 4 | ANGULAR TOL ± 3.0 ° | | mm | 5:1 | DRWN BY | | DATE | | WJHUO | | 2014/10/30 | | 4 PLACES ± | 3 PLACES ± | | CHK'D BY | | DATE | | AYIN | | 2015/03/12 | | 2 PLACES ± 0.2 | 1 PLACE ± 0.3 | 0 PLACES ± | APPR BY | | DATE | | DRAWING SIZE | THIRD ANGLE PROJECTION | A3 | | | | DRAFT WHERE APPLICABLE MUST REMAIN WITHIN DIMENSIONS | | | | | | | | | | | | | |
|---|-----------------|----------------|---------------|------------------|------------------|------------------|---------------------------------------|------------------------|-----------------|-----------------|--|--------|--------|-------|--------|-----------------|----------|-------|--|-----------|----------------|--|-----------------|--|----------|----------|--------------|---------------|---------------|------------|----------------|---------------|------------------|------------------|------------------|---------------------------------------|--|-----------------|-------|--|--|--|--|--------|-----------------|----------|--|--------|-----------|----------------|--|-----------------|--|----------|----------|--------------|---------------|--|-----|-----|--------|---------------------|--|----|-----|---------|--|------|--|-------|--|------------|--|------------|------------|--|----------|--|------|--|------|--|------------|--|----------------|---------------|------------|---------|--|------|--|--------------|------------------------|----|--|--|--|--|--|--|--|--|--|--|--|--|--|--|--|--|--|
| QUALITY SYMBOLS | ▽A = 0 | | | | | | | | | | | | | | | | | | | | | | | | | | | | | | | | | | | | | | | | | | | | | | | | | | | | | | | | | | | | | | | | | | | | | | | | | | | | | | | | | | | | | | | | | | | | | | | | | | | | | | | | | | | | | | |
| ▽E = 0 | | | | | | | | | | | | | | | | | | | | | | | | | | | | | | | | | | | | | | | | | | | | | | | | | | | | | | | | | | | | | | | | | | | | | | | | | | | | | | | | | | | | | | | | | | | | | | | | | | | | | | | | | | | | | | | |
| ▽B = 0 | | | | | | | | | | | | | | | | | | | | | | | | | | | | | | | | | | | | | | | | | | | | | | | | | | | | | | | | | | | | | | | | | | | | | | | | | | | | | | | | | | | | | | | | | | | | | | | | | | | | | | | | | | | | | | | |
| ▼ = 0 | | | | | | | | | | | | | | | | | | | | | | | | | | | | | | | | | | | | | | | | | | | | | | | | | | | | | | | | | | | | | | | | | | | | | | | | | | | | | | | | | | | | | | | | | | | | | | | | | | | | | | | | | | | | | | | |
| ▽C = 0 | | | | | | | | | | | | | | | | | | | | | | | | | | | | | | | | | | | | | | | | | | | | | | | | | | | | | | | | | | | | | | | | | | | | | | | | | | | | | | | | | | | | | | | | | | | | | | | | | | | | | | | | | | | | | | | |
| ⊗ = 0 | | | | | | | | | | | | | | | | | | | | | | | | | | | | | | | | | | | | | | | | | | | | | | | | | | | | | | | | | | | | | | | | | | | | | | | | | | | | | | | | | | | | | | | | | | | | | | | | | | | | | | | | | | | | | | | |
| ■ = 0 | | | | | | | | | | | | | | | | | | | | | | | | | | | | | | | | | | | | | | | | | | | | | | | | | | | | | | | | | | | | | | | | | | | | | | | | | | | | | | | | | | | | | | | | | | | | | | | | | | | | | | | | | | | | | | | |
| ▽ = 0 | | | | | | | | | | | | | | | | | | | | | | | | | | | | | | | | | | | | | | | | | | | | | | | | | | | | | | | | | | | | | | | | | | | | | | | | | | | | | | | | | | | | | | | | | | | | | | | | | | | | | | | | | | | | | | | |
| EC NO: 670810 | DRWN: GLLI | CHK'D: YXZHENG | APPR: YXZHENG | DATE: 2021/04/27 | DATE: 2021/07/22 | DATE: 2021/07/22 | GENERAL TOLERANCES (UNLESS SPECIFIED) | | DIMENSION UNITS | SCALE | <p>SD DRAWING FOR NANO-FIT HEADER OF SMT VERTICAL SINGLE CONN.</p> <p>PRODUCT CUSTOMER DRAWING</p> <table border="1"> <tr> <td>SERIES</td> <td>MATERIAL NUMBER</td> <td colspan="2">CUSTOMER</td> </tr> <tr> <td>105431</td> <td>SEE TABLE</td> <td colspan="2">GENERAL MARKET</td> </tr> <tr> <td colspan="2">DOCUMENT NUMBER</td> <td>DOC TYPE</td> <td>DOC PART</td> <td>SHEET NUMBER</td> </tr> <tr> <td colspan="2">SD-105431-001</td> <td>PSD</td> <td>000</td> <td>3 OF 4</td> </tr> </table> | | | | SERIES | MATERIAL NUMBER | CUSTOMER | | 105431 | SEE TABLE | GENERAL MARKET | | DOCUMENT NUMBER | | DOC TYPE | DOC PART | SHEET NUMBER | SD-105431-001 | | PSD | 000 | 3 OF 4 | | | | | | | | | | | | | | | | | | | | | | | | | | | | | | | | | | | | | | | | | | | | | | | | | | | | | | | | | | | | | | | | | | | | | | | | | | | | | | | |
| SERIES | MATERIAL NUMBER | CUSTOMER | | | | | | | | | | | | | | | | | | | | | | | | | | | | | | | | | | | | | | | | | | | | | | | | | | | | | | | | | | | | | | | | | | | | | | | | | | | | | | | | | | | | | | | | | | | | | | | | | | | | | | | | | | | | | |
| 105431 | SEE TABLE | GENERAL MARKET | | | | | | | | | | | | | | | | | | | | | | | | | | | | | | | | | | | | | | | | | | | | | | | | | | | | | | | | | | | | | | | | | | | | | | | | | | | | | | | | | | | | | | | | | | | | | | | | | | | | | | | | | | | | | |
| DOCUMENT NUMBER | | DOC TYPE | DOC PART | SHEET NUMBER | | | | | | | | | | | | | | | | | | | | | | | | | | | | | | | | | | | | | | | | | | | | | | | | | | | | | | | | | | | | | | | | | | | | | | | | | | | | | | | | | | | | | | | | | | | | | | | | | | | | | | | | | | | |
| SD-105431-001 | | PSD | 000 | 3 OF 4 | | | | | | | | | | | | | | | | | | | | | | | | | | | | | | | | | | | | | | | | | | | | | | | | | | | | | | | | | | | | | | | | | | | | | | | | | | | | | | | | | | | | | | | | | | | | | | | | | | | | | | | | | | | |
| ANGULAR TOL ± 3.0 ° | | mm | 5:1 | DRWN BY | | DATE | | WJHUO | | 2014/10/30 | | | | | | | | | | | | | | | | | | | | | | | | | | | | | | | | | | | | | | | | | | | | | | | | | | | | | | | | | | | | | | | | | | | | | | | | | | | | | | | | | | | | | | | | | | | | | | | | | | | | | |
| 4 PLACES ± | 3 PLACES ± | | CHK'D BY | | DATE | | AYIN | | 2015/03/12 | | | | | | | | | | | | | | | | | | | | | | | | | | | | | | | | | | | | | | | | | | | | | | | | | | | | | | | | | | | | | | | | | | | | | | | | | | | | | | | | | | | | | | | | | | | | | | | | | | | | | | |
| 2 PLACES ± 0.2 | 1 PLACE ± 0.3 | 0 PLACES ± | APPR BY | | DATE | | DRAWING SIZE | THIRD ANGLE PROJECTION | A3 | | | | | | | | | | | | | | | | | | | | | | | | | | | | | | | | | | | | | | | | | | | | | | | | | | | | | | | | | | | | | | | | | | | | | | | | | | | | | | | | | | | | | | | | | | | | | | | | | | | | | | |
| DRAFT WHERE APPLICABLE MUST REMAIN WITHIN DIMENSIONS | | | | | | | | | | | | | | | | | | | | | | | | | | | | | | | | | | | | | | | | | | | | | | | | | | | | | | | | | | | | | | | | | | | | | | | | | | | | | | | | | | | | | | | | | | | | | | | | | | | | | | | | | | | | | | | |
| RELEASE STATUS | P1 | RELEASE DATE | 2021/07/22 | 09:31:37 | | | | | | | | | | | | | | | | | | | | | | | | | | | | | | | | | | | | | | | | | | | | | | | | | | | | | | | | | | | | | | | | | | | | | | | | | | | | | | | | | | | | | | | | | | | | | | | | | | | | | | | | | | | |

| | | | | |
|---------|--|---|---|---|
| | 2 CKT | 3 CKT | 4 CKT | 5 CKT |
| BLACK |  |  |  |  |
| NATURAL |  |  |  |  |
| | 6 CKT | 7 CKT | | 8 CKT |
| BLACK |  |  | |  |
| NATURAL |  |  | |  |

| | | | | | | | | | |
|---|--|---|--------------------|---|----------------------------------|-----------------|---|------------------------|-----------------|
| THIS DRAWING CONTAINS INFORMATION THAT IS PROPRIETARY TO MOLEX ELECTRONIC TECHNOLOGIES, LLC AND SHOULD NOT BE USED WITHOUT WRITTEN PERMISSION | | | | | | | | | |
| QUALITY SYMBOLS  = 0  = 0  = 0  = 0  = 0  = 0  = 0 | 2021/04/27 2021/07/22 2021/07/22 | GENERAL TOLERANCES (UNLESS SPECIFIED) ANGULAR TOL ± 3.0 ° 4 PLACES ± 3 PLACES ± 2 PLACES ± 0.2 1 PLACE ± 0.3 0 PLACES ± | | | DIMENSION UNITS mm | SCALE 3:1 |  SD DRAWING FOR NANO-FIT HEADER OF SMT VERTICAL SINGLE CONN. | | |
| | EC NO: 670810 DRWN: GLLI CHK'D: YXZHENG APPR: YXZHENG | DRAFT WHERE APPLICABLE MUST REMAIN WITHIN DIMENSIONS | DRWN BY RMV02 | DATE 2016/01/14 | PRODUCT CUSTOMER DRAWING | | | | |
| | | | CHK'D BY AYIN | DATE 2017/05/15 | | | | SERIES 105431 | MATERIAL NUMBER |
| | | | DRAWING SIZE A3 | THIRD ANGLE PROJECTION  | DOCUMENT NUMBER SD-105431-001 | DOC TYPE PSD | DOC PART 000 | SHEET NUMBER 4 OF 4 | |