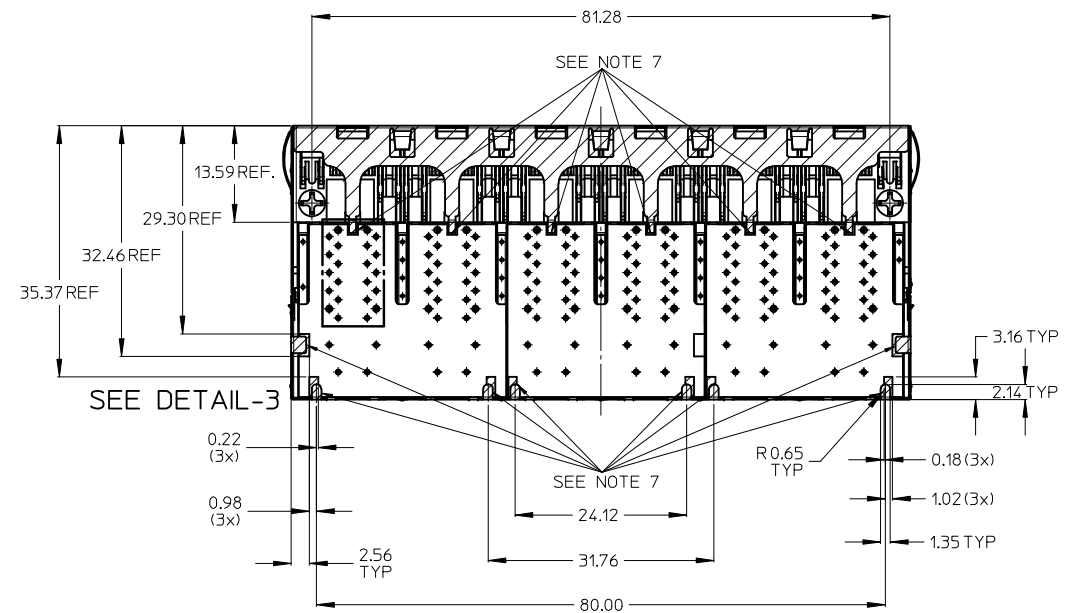
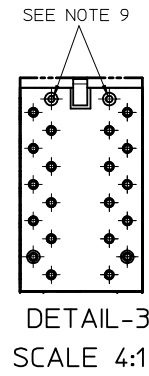
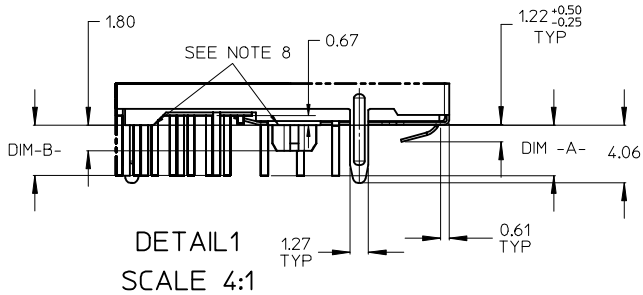
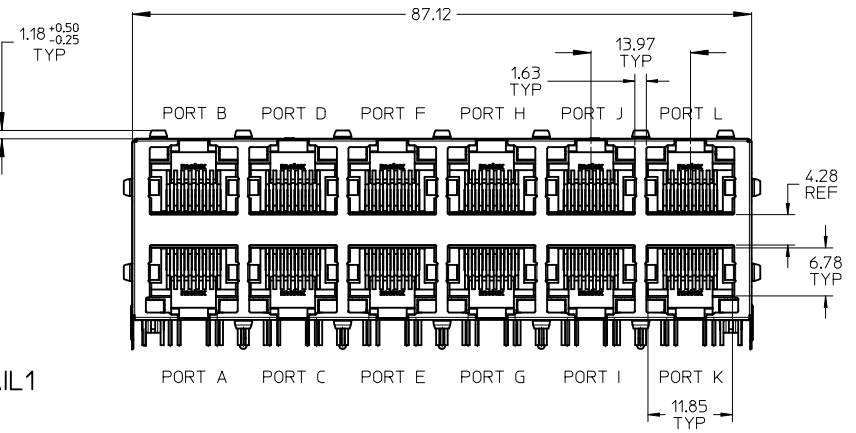
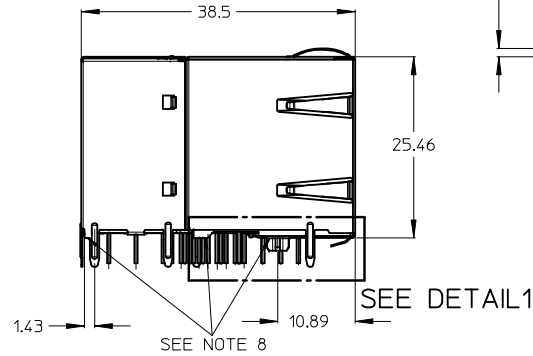


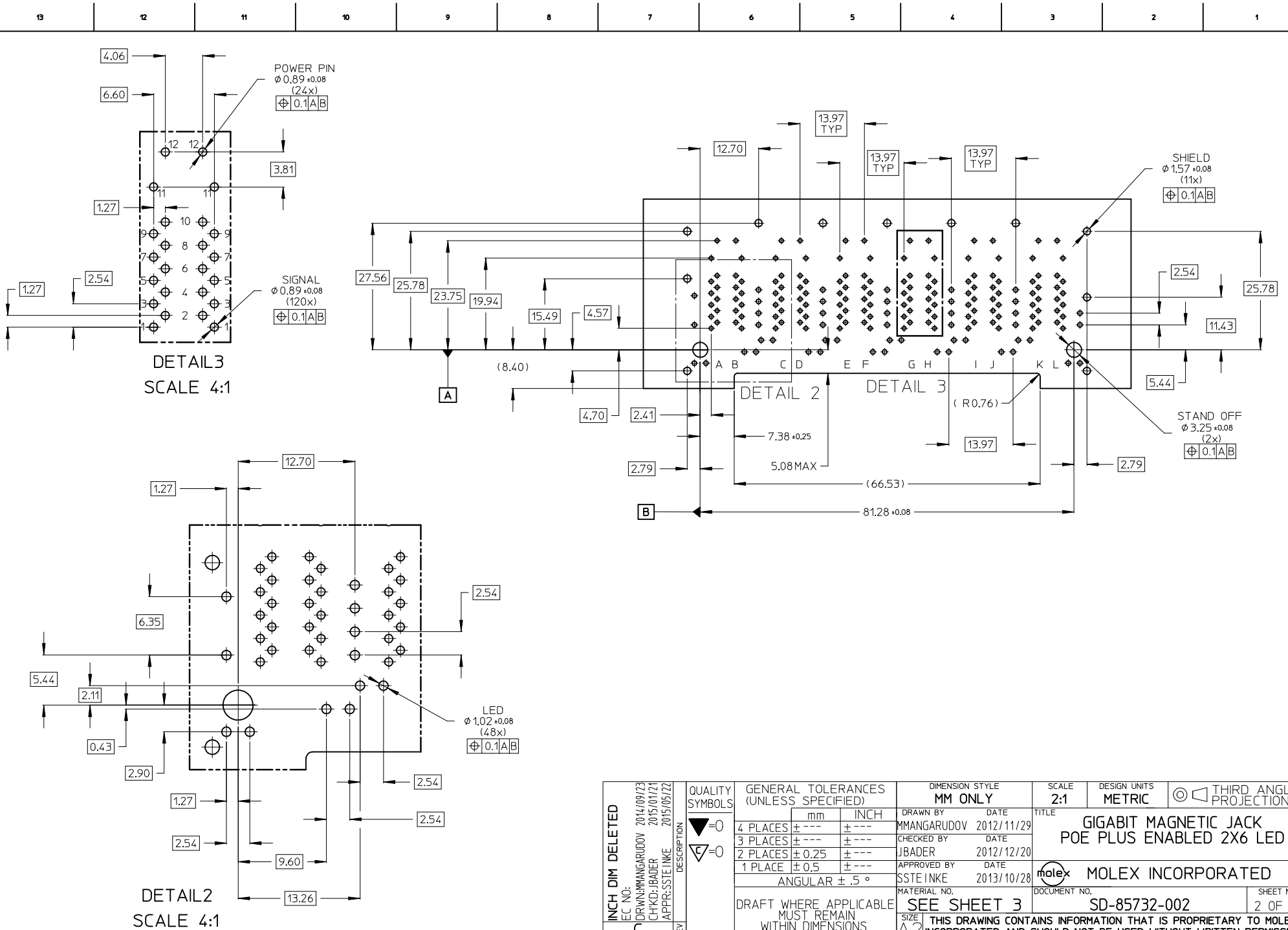
**GIGABIT 12 PORT MAGNETIC JACK WITH LED's
AND INTEGRATED POWER OVER ETHERNET TRANSFORMERS
WITHOUT POWER LINE CHOKE
ACCORDING TO IEEE802.3at FOR PSE APPLICATIONS**



NOTES:

- 1 - SHIELD MATERIAL: BRASS; PLATING: NICKEL PRE-PLATING
- 2 - PLASTIC MATERIAL: POLYESTER (PBT) BLACK, 30%GR, UL 94 V-0
- 3 - TERMINALS MATERIAL (RJ-45 CONTACTS): COPPER ALLOY
RJ45 CONTACT PLATING: 0.76 MICROMETER GOLD OVER 1.9 MICROMETER NICKEL
SOLDER TERMINALS: 3 MICROMETER TIN
- 4 - MATING INTERFACE ACCORDING TO IEC 60603-7
- 5 - PRODUCT SPECIFICATION: PS-85732-001
- 6 - PACKAGING SPECIFICATION: PK-85731-001
- 7 - TRACES WITHOUT INSULATION NOT ALLOWED IN THE DASHED AREAS & LATCHES
(TO AVOID SHORTS TO SHIELD)
- 8 - STAND OFF TO SYSTEM BOARD
- 9 - STUBBED PINS -> AVOID TO ROUTE TRACES OR TO PLACE ANY VIAS OR PADS BELOW THESE PINS
- 10- MISSING MAGNETIC AND LED INFORMATIONS SEE PS-85732-001

INCH DIM DELETED	EC NO:	DRW:MMANGARUDOV 2014/09/23	QUALITY SYMBOLS	GENERAL TOLERANCES (UNLESS SPECIFIED)		DIMENSION STYLE MM ONLY		SCALE 2:1	DESIGN UNITS METRIC	THIRD ANGLE PROJECTION
	CHKD:JBADER 2015/01/21	APPR:SSSTEINKE 2015/05/22	DESCRIPTION	mm	INCH	DRAWN BY	DATE	TITLE	GIGABIT MAGNETIC JACK POE PLUS ENABLED 2X6 LED	
			DESCRIPTION	4 PLACES ± --- ± ---		MMANGARUDOV	2012/11/29			
			DESCRIPTION	3 PLACES ± --- ± ---		CHECKED BY	DATE			
		DESCRIPTION	2 PLACES ± 0.25 ± ---		JBADER	2012/12/20		MOLEX INCORPORATED		
		DESCRIPTION	1 PLACE ± 0.5 ± ---		APPROVED BY	DATE				
		DESCRIPTION	ANGULAR ± .5 °		SSTEINKE	2013/10/28		DOCUMENT NO.		SHEET NO.
		DESCRIPTION	DRAFT WHERE APPLICABLE MUST REMAIN WITHIN DIMENSIONS		SEE SHEET 3		SD-85732-002		1 OF 4	
		DESCRIPTION			THIS DRAWING CONTAINS INFORMATION THAT IS PROPRIETARY TO MOLEX INCORPORATED AND SHOULD NOT BE USED WITHOUT WRITTEN PERMISSION					



DETAIL3
SCALE 4:1

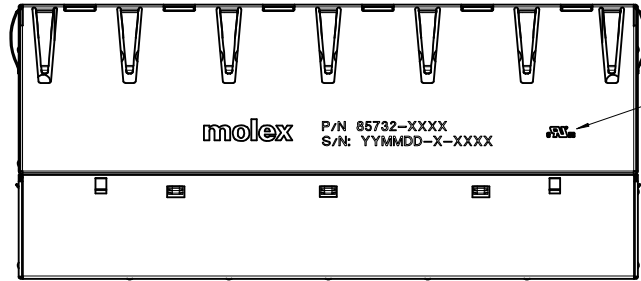
DETAIL 2

DETAIL 3

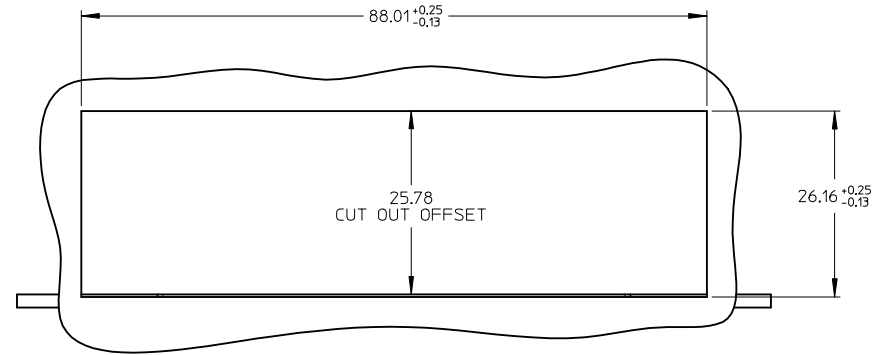
DETAIL2
SCALE 4:1

INCH DIM DELETED	EC NO:	2014/09/23	QUALITY SYMBOLS	GENERAL TOLERANCES (UNLESS SPECIFIED)		DIMENSION STYLE		SCALE	DESIGN UNITS	THIRD ANGLE PROJECTION	
	DRW:MMANGARDOV	2015/01/21	▽=0	mm INCH		MM ONLY		2:1	METRIC	TITLED	
	CHKD:JBADER	2015/05/22	▽=0	4 PLACES ± --- ± ---	3 PLACES ± --- ± ---	2 PLACES ± 0.25 ± ---	1 PLACE ± 0.5 ± ---	ANGULAR ± .5 °	DRAWN BY		DATE
	APPR:SSTEINKE			DRAFT WHERE APPLICABLE MUST REMAIN WITHIN DIMENSIONS		SEE SHEET 3		MMANGARDOV		2012/11/29	2012/12/20
REV	DESCRIPTION			MATERIAL NO.		APPROVED BY		DATE	SSTEINKE		2013/10/28
				SD-85732-002		MATERIAL NO.		SD-85732-002		SHEET NO. 2 OF 4	
				INCORPORATED AND SHOULD NOT BE USED WITHOUT WRITTEN PERMISSION		MATERIAL NO.		SD-85732-002		SHEET NO. 2 OF 4	

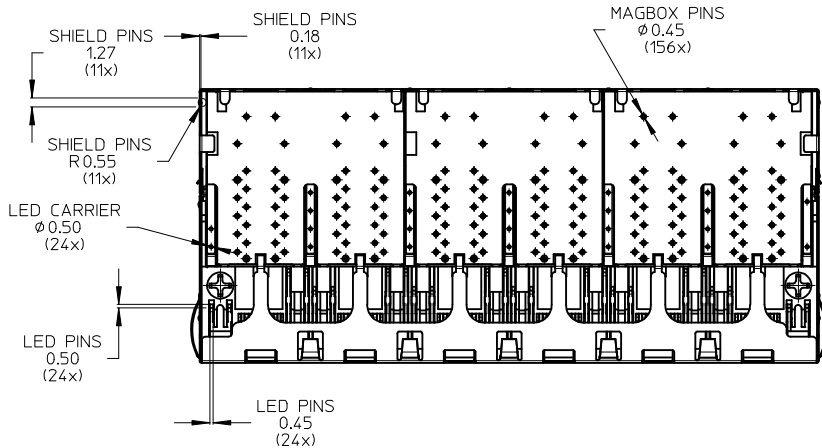
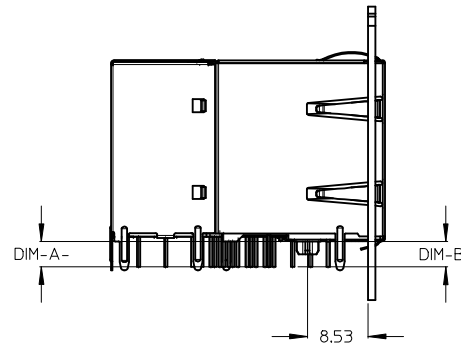
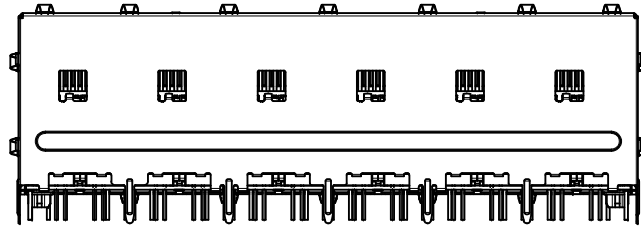
PRINTING
LED VERSION
P/N: 85732-XXXX
S/N: YYMMDD-CM-CONSECUTIVE NUMBER



SEE NOTE 3



SUGGESTED PANEL CUT OUT



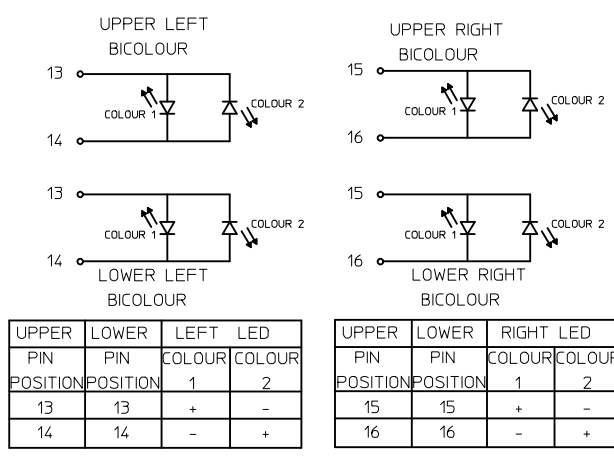
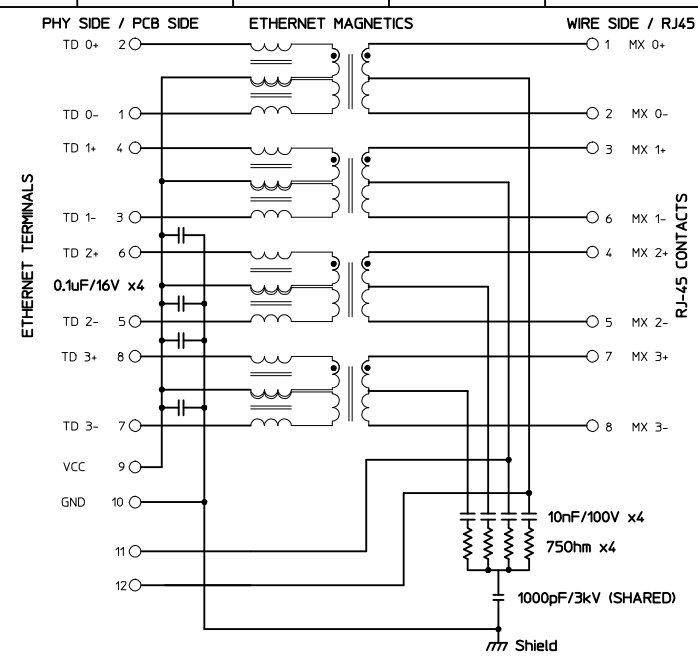
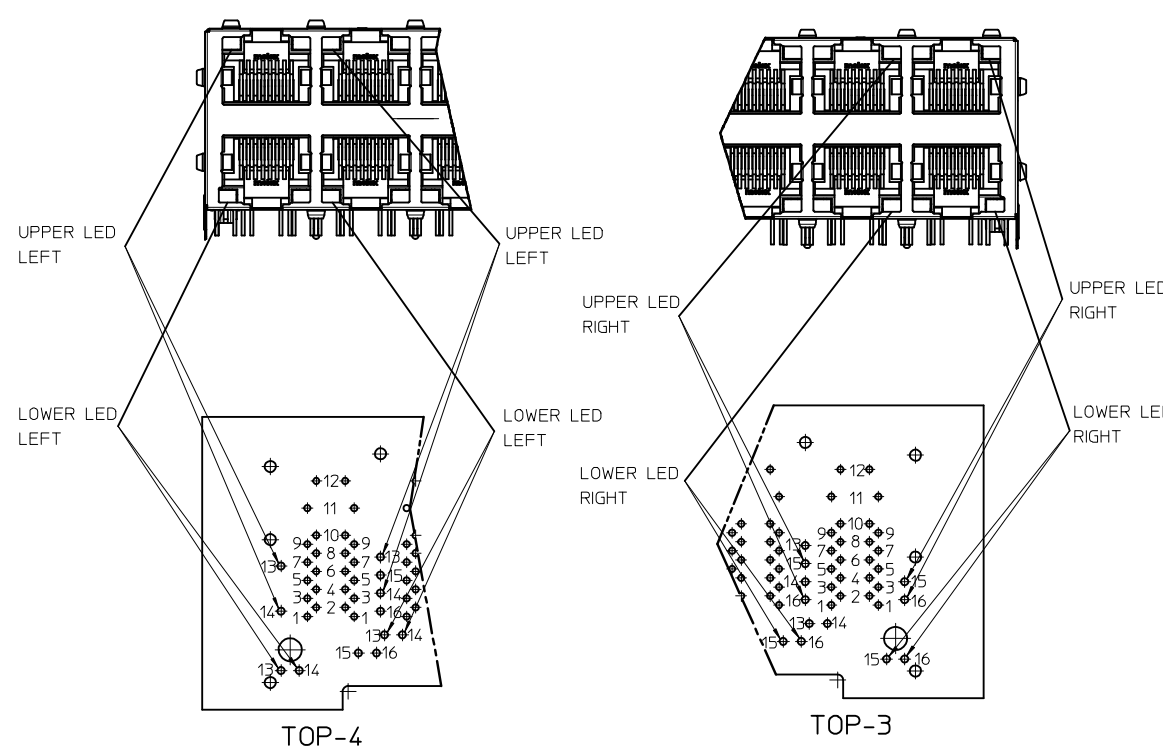
- NOTES:
- 1 - PRINTING MARKED BY LASER
 - 2 - INSCRIPTION:
1st LINE: PART NUMBER
2nd LINE: DATE CODE (YEAR, MONTH, DAY)- MANUFACTURER ID - CONSECUTIVE NUMBER
 - 3 - UL LOGO

PART NUMBER	UPPER & LOWER LED LEFT		UPPER & LOWER LED RIGHT		DIM-A- SIGNAL PINS	DIM-B- LED PINS
85732-2001	COLOR 1	GREEN	COLOR 1	GREEN	3,56MM	3,56MM
	COLOR 2	-	COLOR 2	-		
85732-2004	COLOR 1	GREEN	COLOR 1	GREEN	3,56MM	3,56MM
	COLOR 2	ORANGE	COLOR 2	ORANGE		
85732-3001	COLOR 1	GREEN	COLOR 1	GREEN	2,2MM	3,56MM
	COLOR 2	-	COLOR 2	-		

ADDITIONAL LED COLORS AND CONFIGURATIONS ARE AVAILABLE ON REQUEST

NEW P/N ADDED EC NO: DRW:MMANGARUDOV 2014/09/23 CHKD:JBADER 2015/01/21 APPR:SSTEINKE 2015/05/22	QUALITY SYMBOLS	GENERAL TOLERANCES (UNLESS SPECIFIED)	DIMENSION STYLE MM ONLY	SCALE 2:1	DESIGN UNITS METRIC	THIRD ANGLE PROJECTION	
	▽=0	mm INCH	DRAWN BY DATE MMANGARUDOV 2012/11/29	TITLE GIGABIT MAGNETIC JACK POE PLUS ENABLED 2X6 LED			
	▽=0	4 PLACES ± --- ± --- 3 PLACES ± --- ± --- 2 PLACES ± 0.25 ± --- 1 PLACE ± 0.5 ± --- ANGULAR ± .5 °	CHECKED BY DATE JBADER 2012/12/20	MOLEX MOLEX INCORPORATED			
		DRAFT WHERE APPLICABLE MUST REMAIN WITHIN DIMENSIONS	APPROVED BY DATE SSTEINKE 2013/10/28	MATERIAL NO. SEE BOM	DOCUMENT NO. SD-85732-002	SHEET NO. 3 OF 4	

THIS DRAWING CONTAINS INFORMATION THAT IS PROPRIETARY TO MOLEX INCORPORATED AND SHOULD NOT BE USED WITHOUT WRITTEN PERMISSION



POWER-SUPPLY POLARITY DEFINITION
TO ACHIEVE PoE POWER ASSIGNMENT
ACCORDING IEEE 802.3at
ALTERNATIVE A:

	MDI-X	MDI
PIN 11	Vc+	Vc-
PIN 12	Vc-	Vc+

PIN	ETHERNET MAGNETICS
10	GND
9	VCC
8	TD 3+
7	TD 3-
6	TD 2+
5	TD 2-
4	TD 1+
3	TD 1-
2	TD 0+
1	TD 0-
11	PWR 3-6
12	PWR 1-2

NO CHANGE EC NO: DRW:MMANGARUDOV 2014/09/23 CHKD:JBADER 2015/01/21 APPR:SSTEINKE 2015/05/22	QUALITY SYMBOLS ▽=0 ▽=0	GENERAL TOLERANCES (UNLESS SPECIFIED) <table border="1"> <thead> <tr> <th></th> <th>mm</th> <th>INCH</th> </tr> </thead> <tbody> <tr><td>4 PLACES</td><td>± .005</td><td>± .0002</td></tr> <tr><td>3 PLACES</td><td>± .005</td><td>± .0002</td></tr> <tr><td>2 PLACES</td><td>± 0.25</td><td>± .010</td></tr> <tr><td>1 PLACE</td><td>± 0.5</td><td>± .020</td></tr> </tbody> </table> ANGULAR ± .5°		mm	INCH	4 PLACES	± .005	± .0002	3 PLACES	± .005	± .0002	2 PLACES	± 0.25	± .010	1 PLACE	± 0.5	± .020	DIMENSION STYLE MM ONLY	SCALE 2:1	DESIGN UNITS METRIC	THIRD ANGLE PROJECTION
		mm	INCH																		
	4 PLACES	± .005	± .0002																		
	3 PLACES	± .005	± .0002																		
2 PLACES	± 0.25	± .010																			
1 PLACE	± 0.5	± .020																			
DRAWN BY: MMANGARUDOV 2012/11/29 CHECKED BY: JBADER 2012/12/20 APPROVED BY: SSTEINKE 2013/10/28	MATERIAL NO. SEE SHEET 3	TITLE GIGABIT MAGNETIC JACK POE PLUS ENABLED 2X6 LED	MOLEX INCORPORATED	DOCUMENT NO. SD-85732-002	SHEET NO. 4 OF 4																
DRAFT WHERE APPLICABLE MUST REMAIN WITHIN DIMENSIONS	SIZE A2	THIS DRAWING CONTAINS INFORMATION THAT IS PROPRIETARY TO MOLEX INCORPORATED AND SHOULD NOT BE USED WITHOUT WRITTEN PERMISSION																			