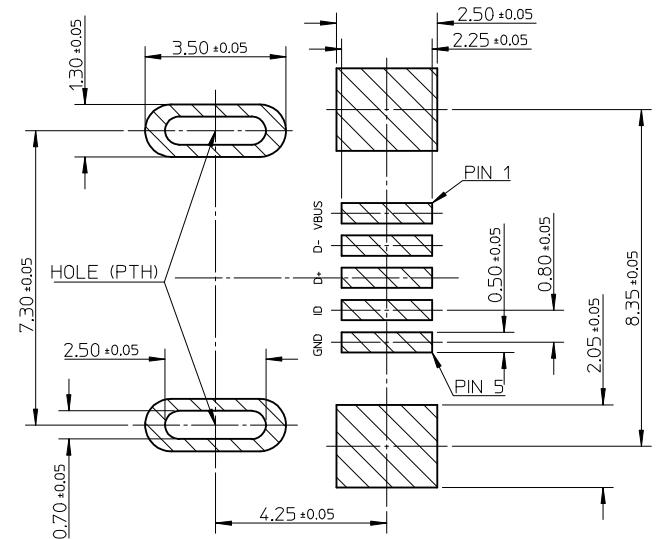
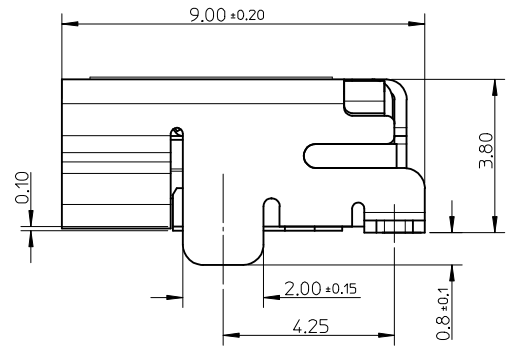
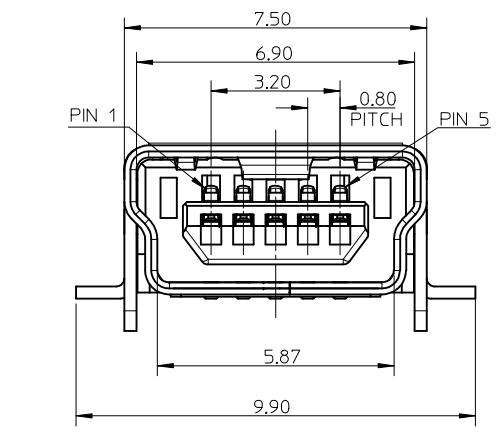


NOTE :

- MATERIAL :  
 HOUSING : NYLON GLASS FILLED , BLACK,UL94V-0  
 TERMINAL : COPPER ALLOY THICKNESS = 0.2 MM  
 SHIELD CASE : STAINLESS STEEL THICKNESS = 0.3 MM
- PLATING :  
 TERMINAL:  
 CONTACT AREA : GOLD 0.76 MICROMETER MINIMUM,  
 SOLDER TAIL AREA : MATTE TIN 3.8 MICROMETER MIN.  
 UNDER PLATING : NICKEL 1.27 MICROMETER MINIMUM.  
 SHIELD CASE :  
 2.5-4 MICROMETER SOLDERABLE NICKLE PLATING.
- TAIL & NAIL COPLANARITY 0.08 mm MAXIMUM.
- PRODUCT SPEC: PS-47153-001.
- PACKAGE INFORMATION: PER PK-47153-001.
- COMPLIANT TO RoHS DIRECTIVE 2002/95/EC AND ELV DIRECTIVE 2000/53/EC.



RECOMMENDED P.C.B PATTERN LAYOUT

REVISE EC NO: 2007/11/19 DRWN: XJSONG CHKD: 2007/11/20 APPR: HWANG 2007/11/28	DESCRIPTION REV	QUALITY SYMBOLS ▽=0 ◻=0	GENERAL TOLERANCES (UNLESS SPECIFIED)		DIMENSION STYLE MM ONLY		SCALE 1:1	DESIGN UNITS METRIC	THIRD ANGLE PROJECTION		
			4 PLACES ± --- ± --- 3 PLACES ± --- ± --- 2 PLACES ± 0.25 ± --- 1 PLACE ± 0.25 ± ---	mm INCH ± --- ± --- ± 0.25 ± --- ± 0.25 ± ---	DRAWN BY XJSONG	DATE 2006/05/09	TITLE USB SERIES MINI-B REC. ASS'Y DIP TYPE LEAD FREE				
			ANGULAR ± 3 °	DRAFT WHERE APPLICABLE MUST REMAIN WITHIN DIMENSIONS	CHECKED BY IWANG	DATE 2006/05/09	MOLEX INCORPORATED				
					APPROVED BY JNCHEN	DATE 2006/05/09	MATERIAL NO. 47153-1002	DOCUMENT NO. SD-47153-002	SHEET NO. 1 OF 1		