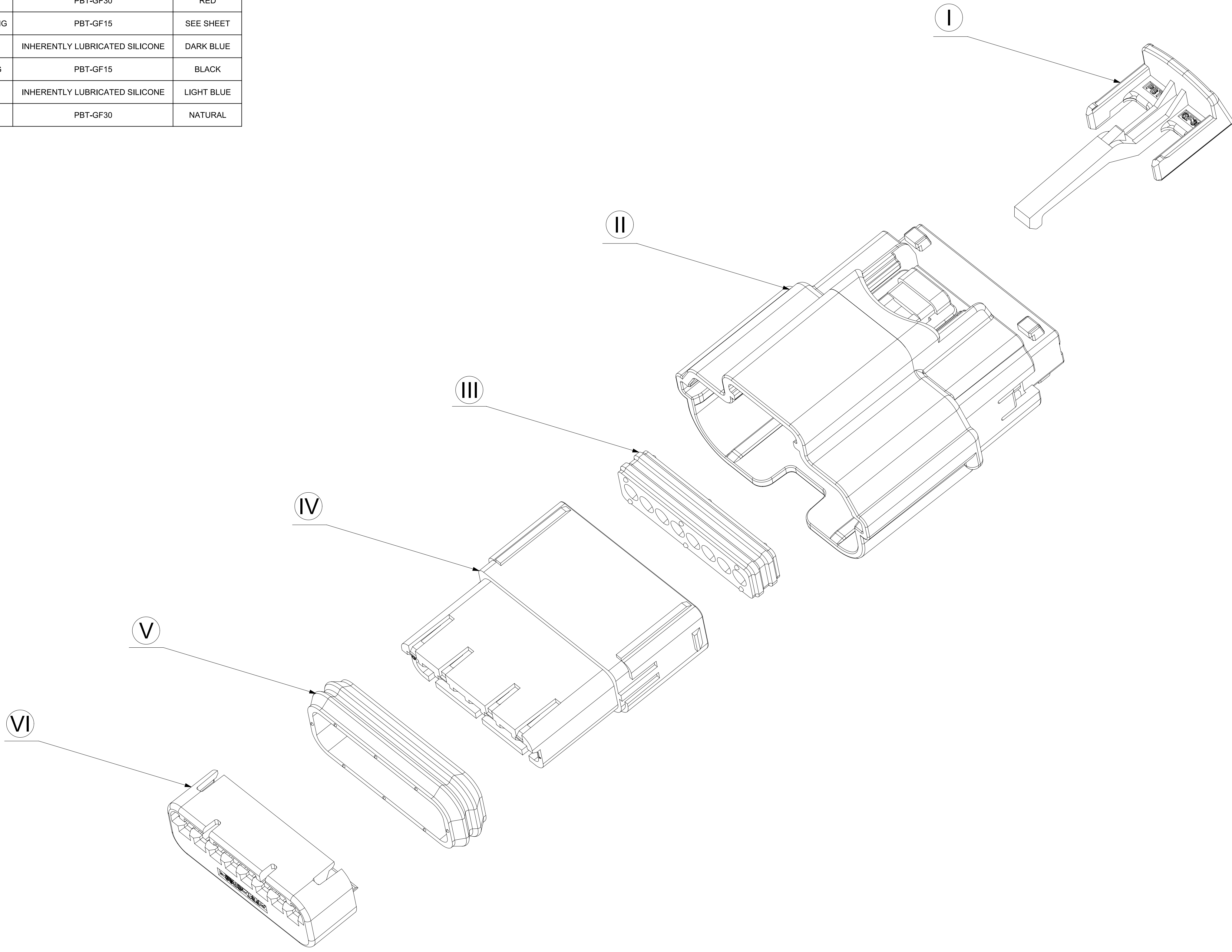


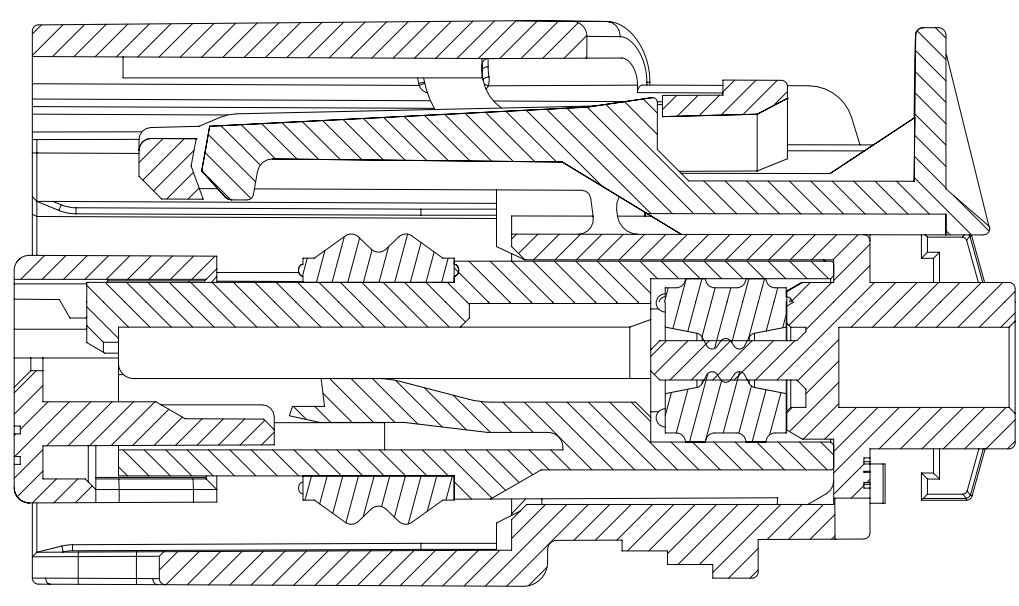
SHEET DESCRIPTION	
BOM	

ITEM NO.	DESCRIPTION	MATERIAL	COLOR
I	CPA	PBT-GF30	RED
II	CONNECTOR HOUSING	PBT-GF15	SEE SHEET
III	MATTE SEAL	INHERENTLY LUBRICATED SILICONE	DARK BLUE
IV	TERMINAL HOUSING	PBT-GF15	BLACK
V	PERIPHERAL SEAL	INHERENTLY LUBRICATED SILICONE	LIGHT BLUE
VI	TPA	PBT-GF30	NATURAL

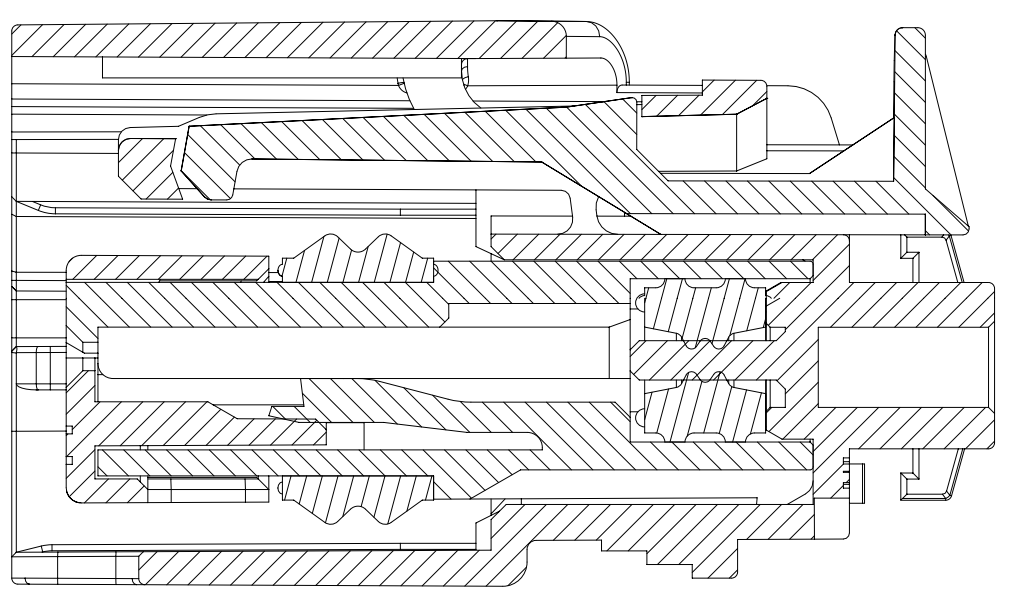


SYMBOLS	THIS DRAWING CONTAINS INFORMATION THAT IS PROPRIETARY TO MOLEX ELECTRONIC TECHNOLOGIES, LLC AND SHOULD NOT BE USED WITHOUT WRITTEN PERMISSION		CURRENT REV DESC:		molex
	DIMENSION UNITS	SCALE			
▽ = 0	mm	4:1			USCAR 0.64MM 8 WAY ADD NEW P/N: 314049184/9194
▽ = 0	GENERAL TOLERANCES (UNLESS SPECIFIED)				
▽ = 0	ANGULAR TOL ± 0.5°		EC NO: CO-000000853		PRODUCT SALES DRAWING
▽ = 0	4 PLACES	± 0	DRWN: Yan Allen 15-Apr-2022		
▽ = 0	3 PLACES	± 0	CHK'D: Fiona Chen 15-Apr-2022		DOCUMENT NUMBER SD-31404-811
▽ = 0	2 PLACES	± 0	APPR: Colin Zhang 20-Apr-2022		
▽ = 0	1 PLACE	± 0	INITIAL REVISION:		DOC TYPE DOC PART REVISION
☒ = 0	0 PLACES	± 0	DRWN: Yan Allen 14-Feb-2022		PSD 001 G12
■ = 0	DRAFT WHERE APPLICABLE MUST REMAIN WITHIN DIMENSIONS		APPR: David Xie 24-Feb-2022		MATERIAL NUMBER
⊕	THIRD ANGLE PROJECTION	DRAWING	SERIES	CUSTOMER	
		A1-SIZE	31404	GENERAL MARKET	
				SHEET NUMBER	
				2 OF 4	

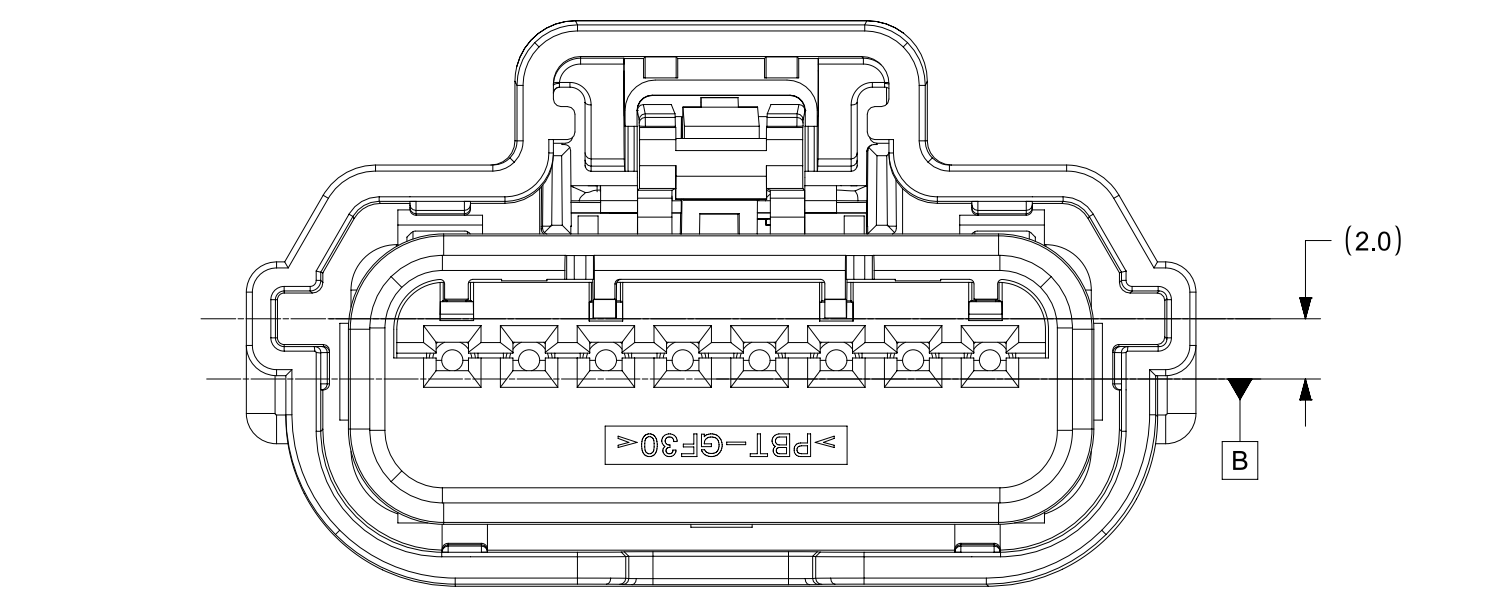
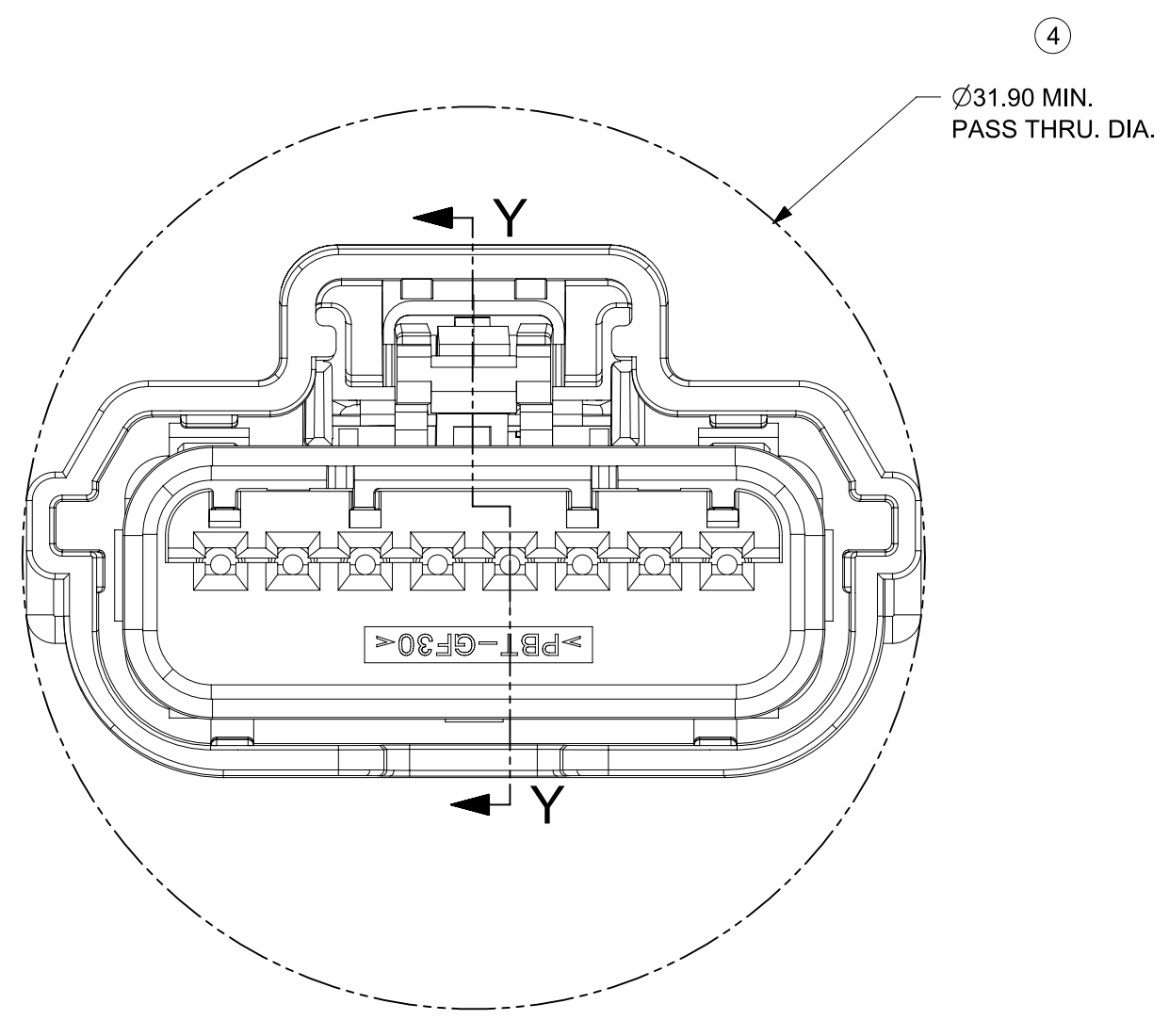
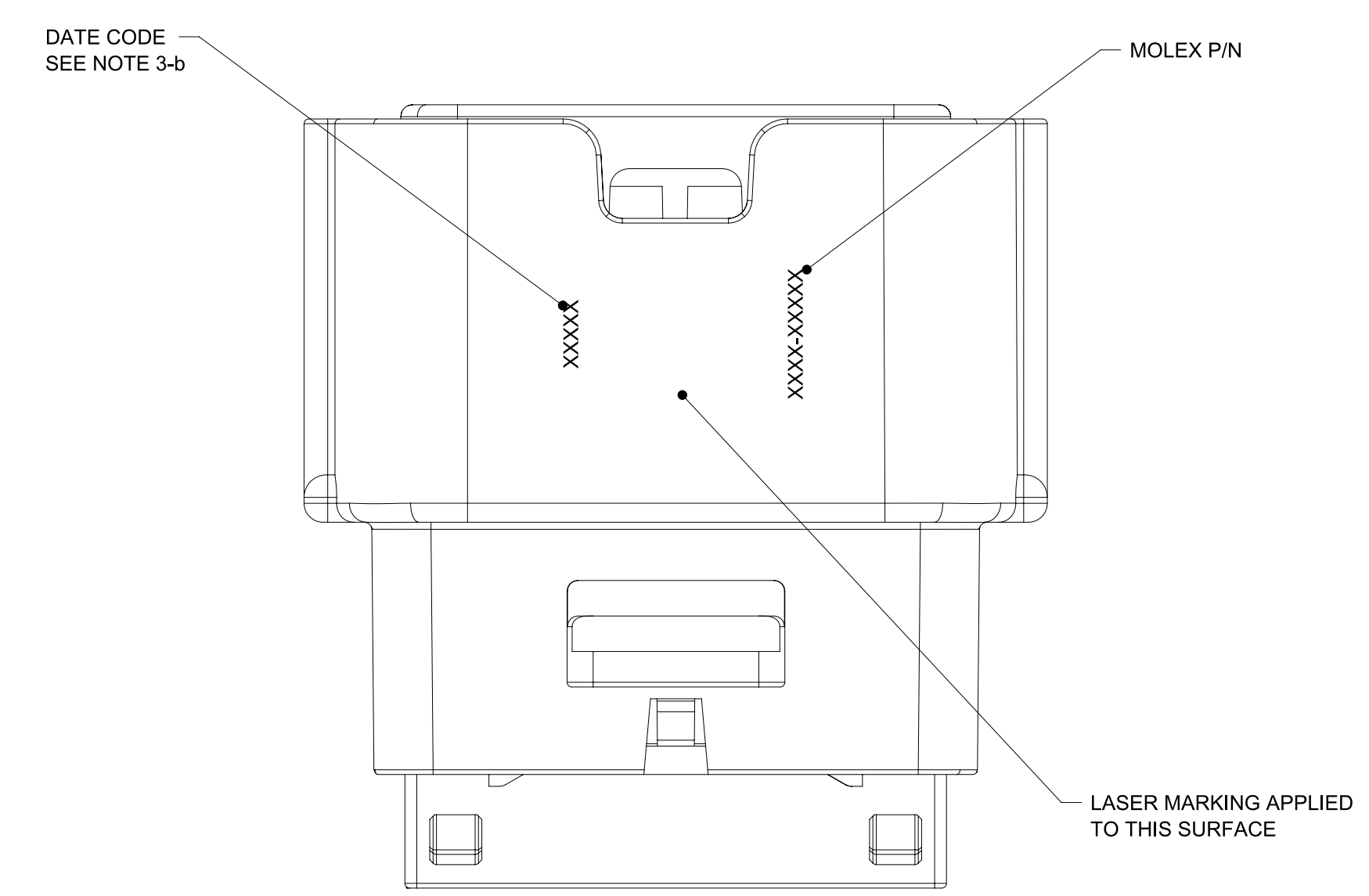
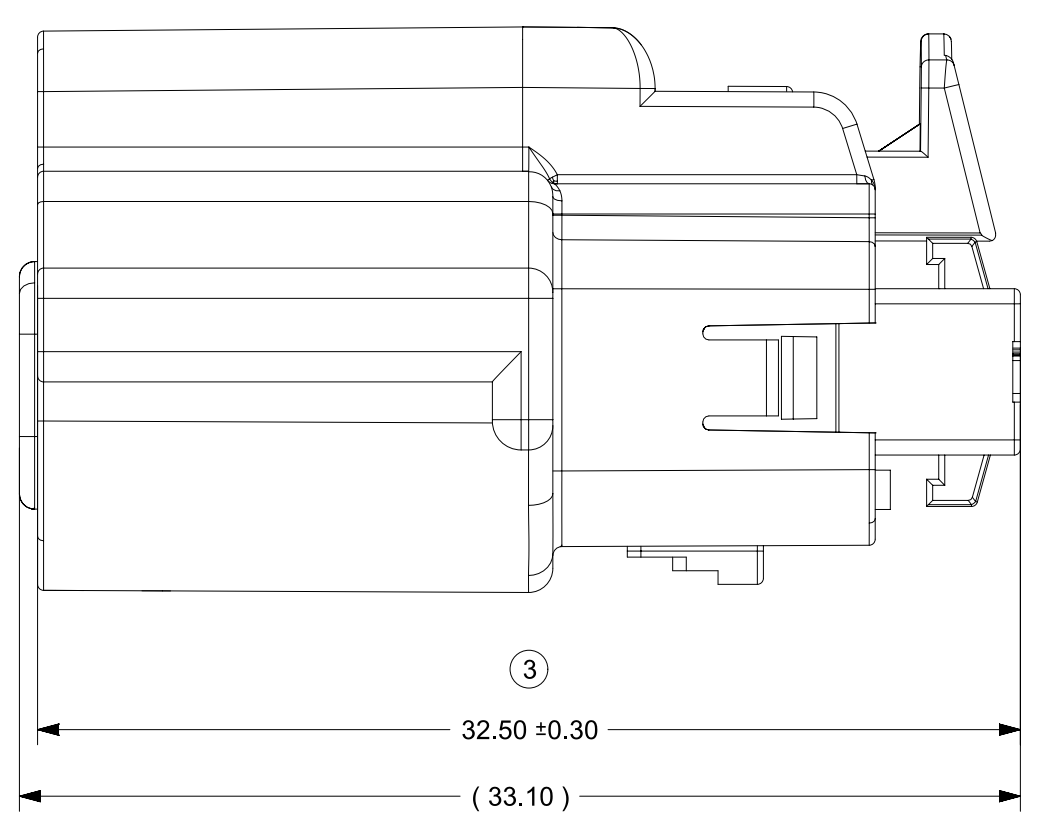
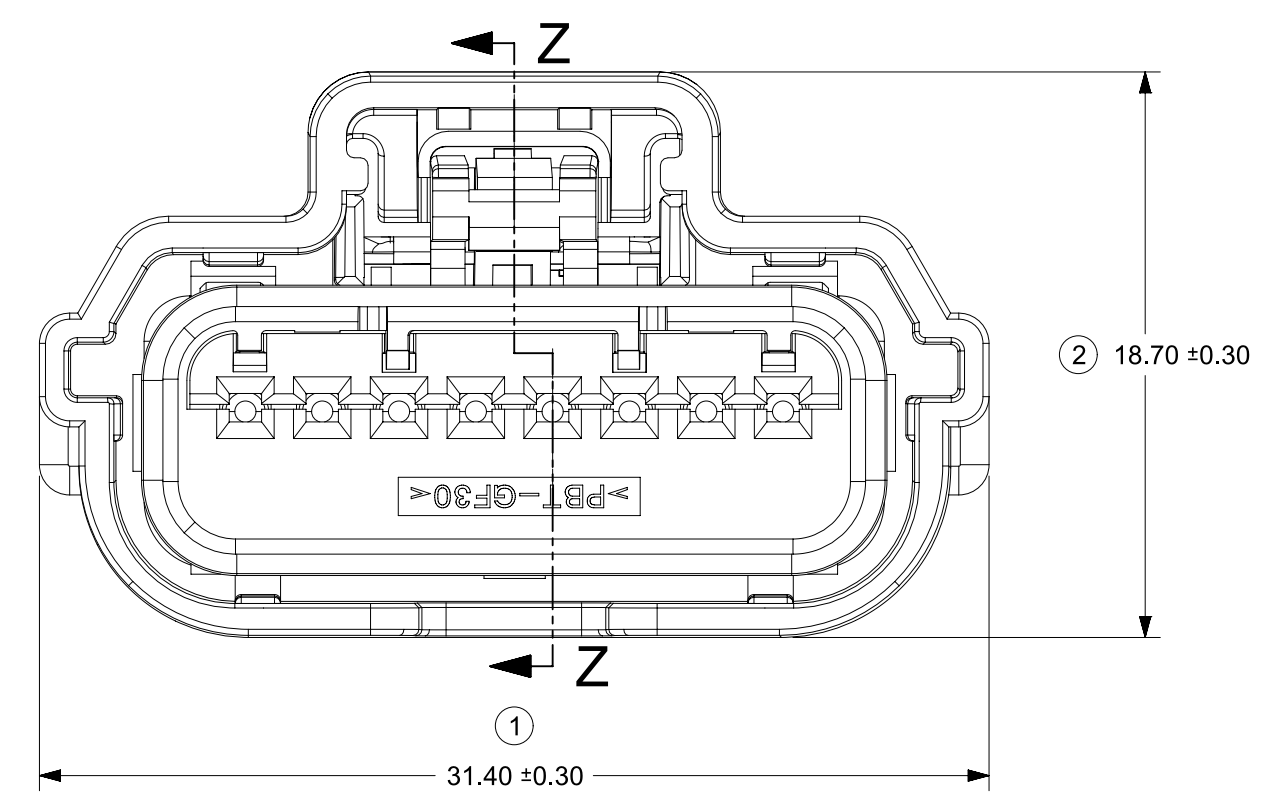
SHEET DESCRIPTION
KEY CONFIGURATIONS



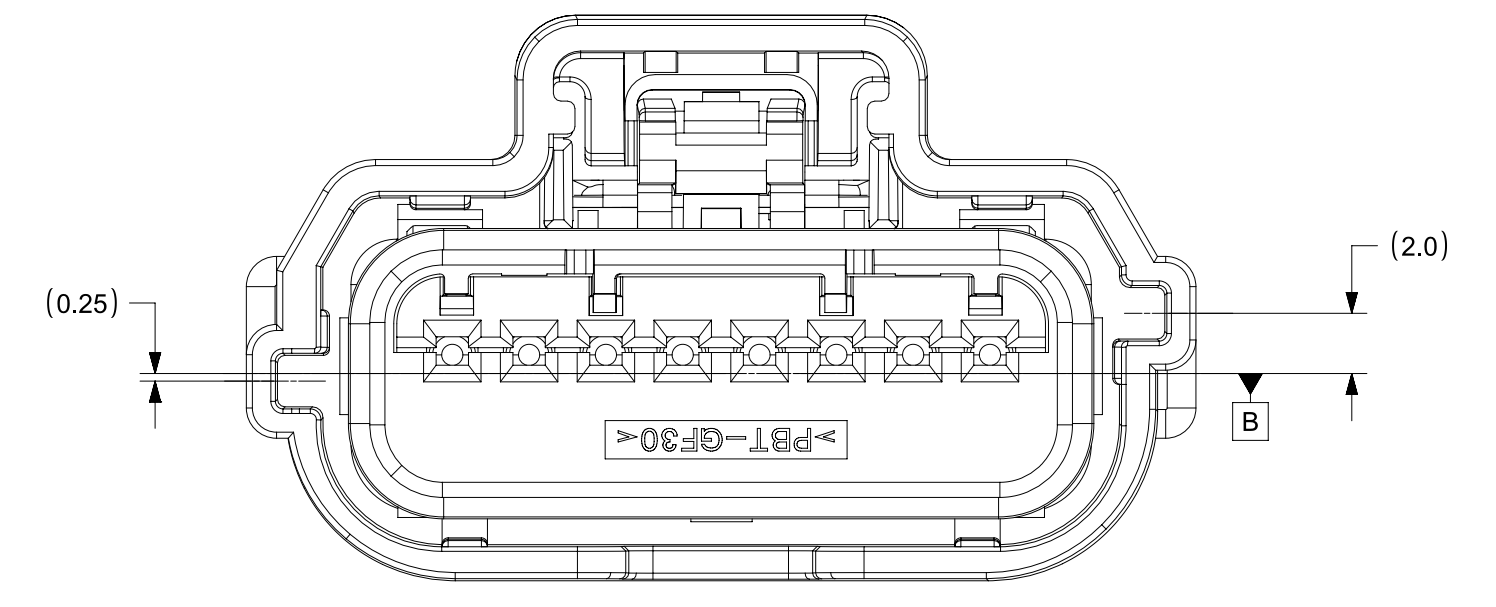
SECTION Z-Z
TPA SHOWN IN AS-SHIPPED
PRE-SET POSITION
SEE NOTE 1-a



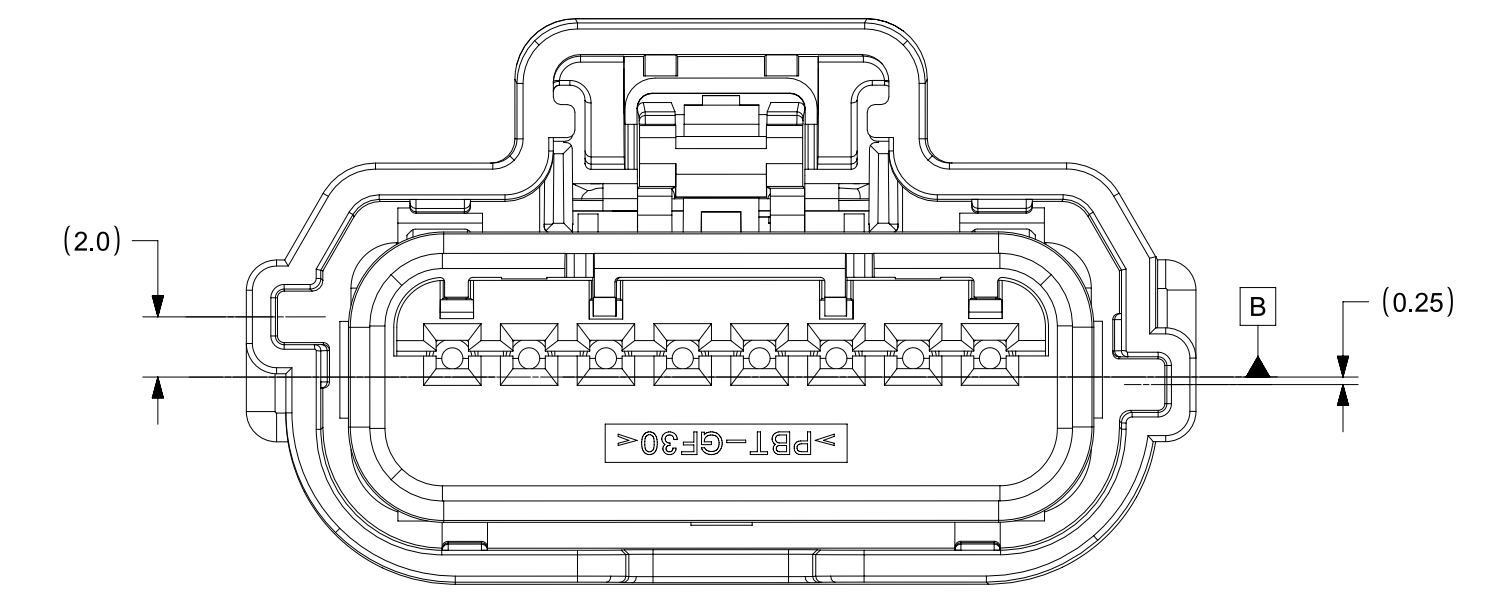
SECTION Y-Y
TPA SHOWN IN FINAL
LOCK POSITION
SEE NOTE 1-a



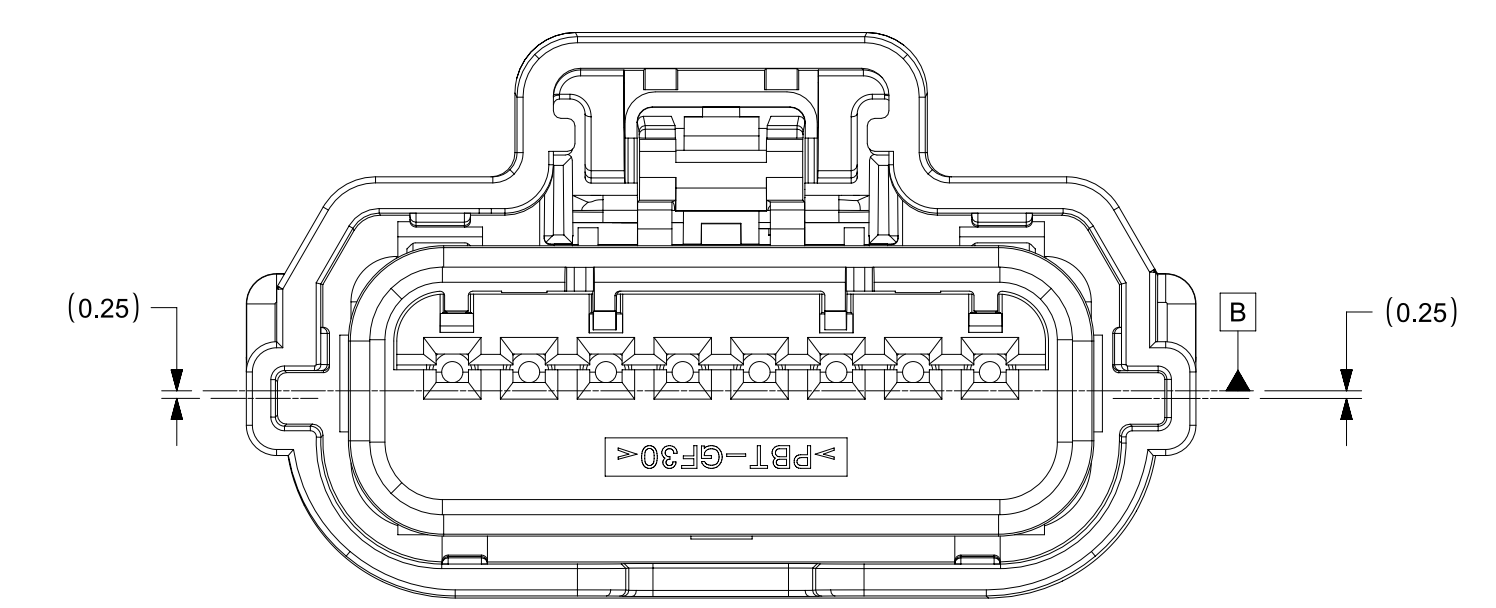
POLARIZATION A



POLARIZATION B



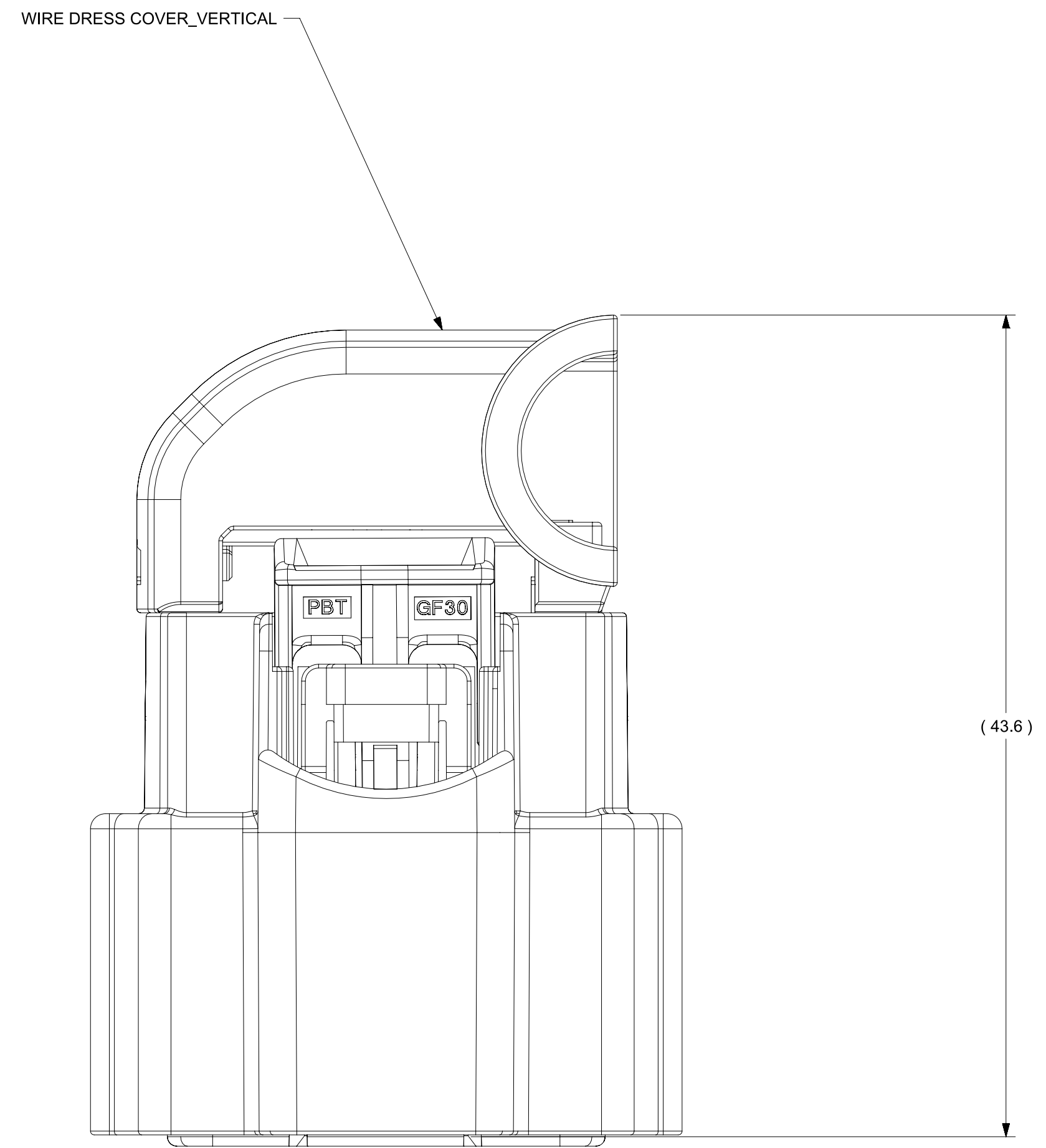
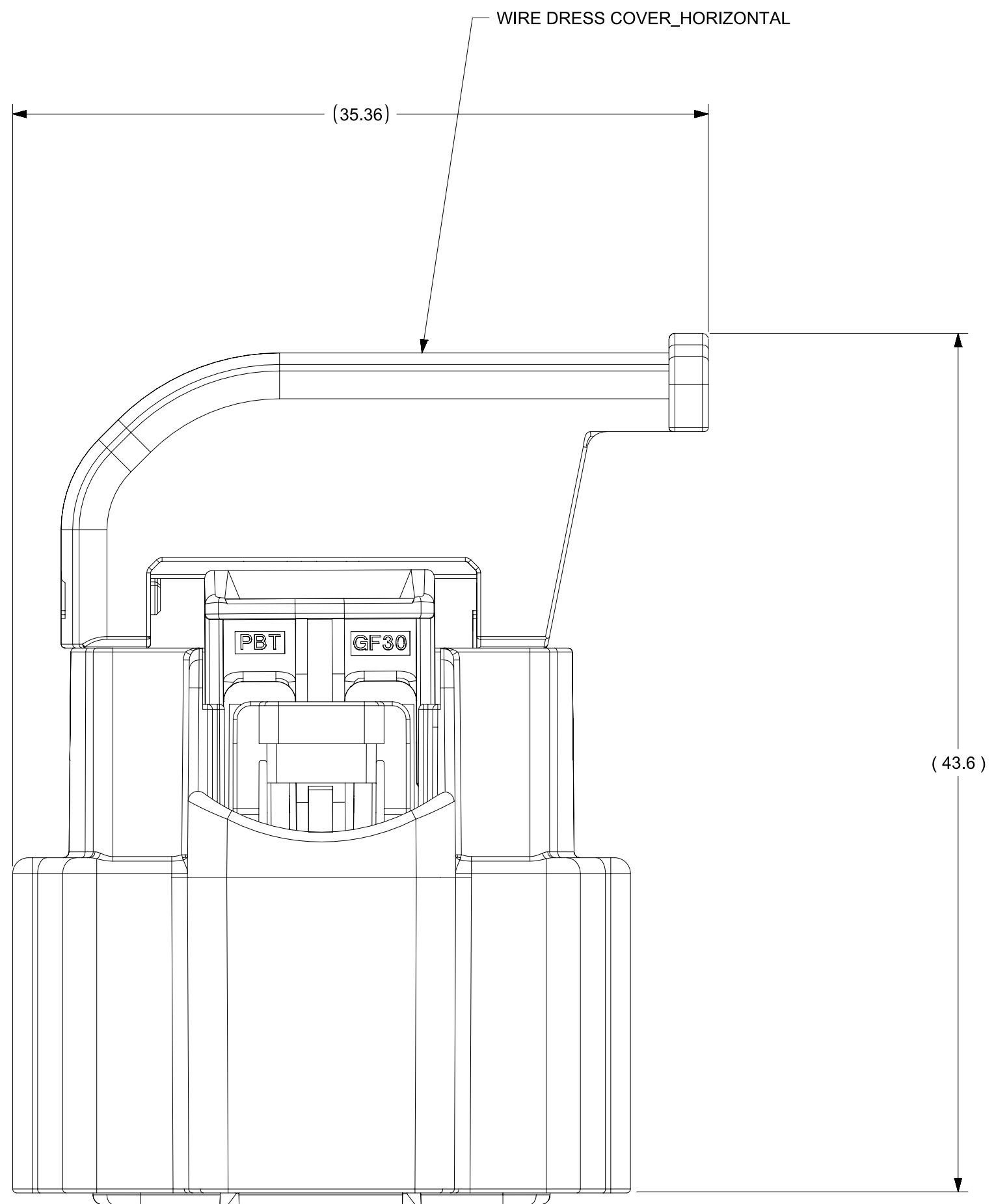
POLARIZATION C



POLARIZATION D

SYMBOLS = 0 = 0 = 0 = 0 = 0 = 0 = 0 = 0 = 0 = 0	THIS DRAWING CONTAINS INFORMATION THAT IS PROPRIETARY TO MOLEX ELECTRONIC TECHNOLOGIES, LLC AND SHOULD NOT BE USED WITHOUT WRITTEN PERMISSION		DIMENSION UNITS: mm SCALE: 4:1		CURRENT REV DESC: EC NO: CO-000000853 DRWN: Yan Allen 15-Apr-2022 CHK'D: Fiona Chen 15-Apr-2022 APPR: Colin Zhang 20-Apr-2022		 USCAR 0.64MM 8 WAY ADD NEW P/N: 314049184/9194		
	GENERAL TOLERANCES (UNLESS SPECIFIED) ANGULAR TOL ± 0.5°		4 PLACES ± 0 3 PLACES ± 0 2 PLACES ± 0 1 PLACE ± 0 0 PLACES ± 0		INITIAL REVISION: DRWN: Yan Allen 14-Feb-2022 APPR: David Xie 24-Feb-2022				
DRAFT WHERE APPLICABLE MUST REMAIN WITHIN DIMENSIONS		THIRD ANGLE PROJECTION		DRAWING: A1-SIZE SERIES: 31404		MATERIAL NUMBER: CUSTOMER: GENERAL MARKET SHEET NUMBER: 3 OF 4			

SHEET DESCRIPTION
WIRE DRESS COVER ASSEMBLY



SYMBOLS	THIS DRAWING CONTAINS INFORMATION THAT IS PROPRIETARY TO MOLEX ELECTRONIC TECHNOLOGIES, LLC AND SHOULD NOT BE USED WITHOUT WRITTEN PERMISSION		
	DIMENSION UNITS	SCALE	CURRENT REV DESC:
▽ = 0	mm	4:1	EC NO: CO-000000853 DRWN: Yan Allen 15-Apr-2022 CHK'D: Fiona Chen 15-Apr-2022 APPR: Colin Zhang 20-Apr-2022
▽ = 0	GENERAL TOLERANCES (UNLESS SPECIFIED)		
▽ = 0	ANGULAR TOL ± 0.5°		INITIAL REVISION: DRWN: Yan Allen 14-Feb-2022 APPR: David Xie 24-Feb-2022
▽ = 0	4 PLACES	± 0	
▽ = 0	3 PLACES	± 0	DOCUMENT NUMBER SD-31404-811
▽ = 0	2 PLACES	± 0	
▽ = 0	1 PLACE	± 0	DOC TYPE PSD
☒ = 0	0 PLACES	± 0	DOC PART 001
■ = 0	DRAFT WHERE APPLICABLE MUST REMAIN WITHIN DIMENSIONS		REVISION G12
▽ = 0	THIRD ANGLE PROJECTION	DRAWING	MATERIAL NUMBER
		A1-SIZE	SERIES 31404
			CUSTOMER GENERAL MARKET
			SHEET NUMBER 4 OF 4

DOCUMENT STATUS	Approved	RELEASE DATE	20-Apr-2022 01:31:59
-----------------	----------	--------------	----------------------