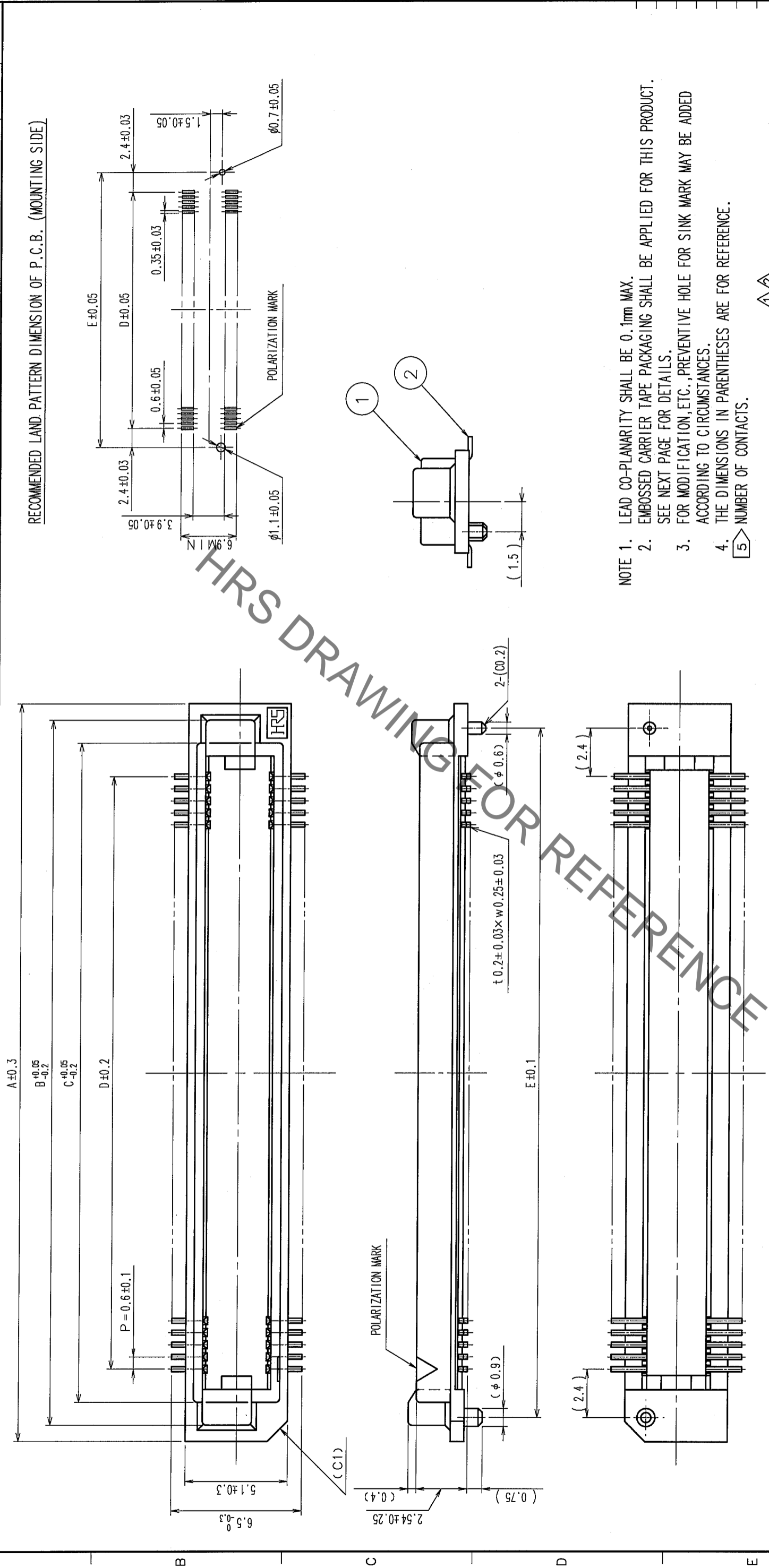


COUNT	DESCRIPTION OF REVISIONS	BY	CHKD	DATE	COUNT	DESCRIPTION OF REVISIONS	BY	CHKD	DATE
3	RE-F-09671	K.N	H.Y	04.04.08					
1	DIS-F-000293	K.D	H.O	05.02.28					



NO.	MATERIAL	FINISH, REMARKS	NO.	MATERIAL	FINISH, REMARKS
1	PPS	LIGHT BROWN (UL94V-0)	2	PHOSPHOR BRONZE	

CONTACT AREA: GOLD	LEAD AREA: GOLD FLASH	UNDER PLATING: NICKEL	FINISH, REMARKS
0.1 μm min.		0.5 μm min.	

CODE NO. (OLD)	CL	DRAWN	DESIGNED	CHECKED	APPROVED	RELEASED
		S. SUZUKI	K. NAKAMURA	H. OKAWA	Y. YOSHIMURA	
		03.03.06	03.03.06	03.03.06	03.03.06	

DRAWING NO.	PART NO.
EDC3-150726-22	FX8-**-P-SV(92)

SCALE	UNITS	CODE NO.
FREE	mm	CL578

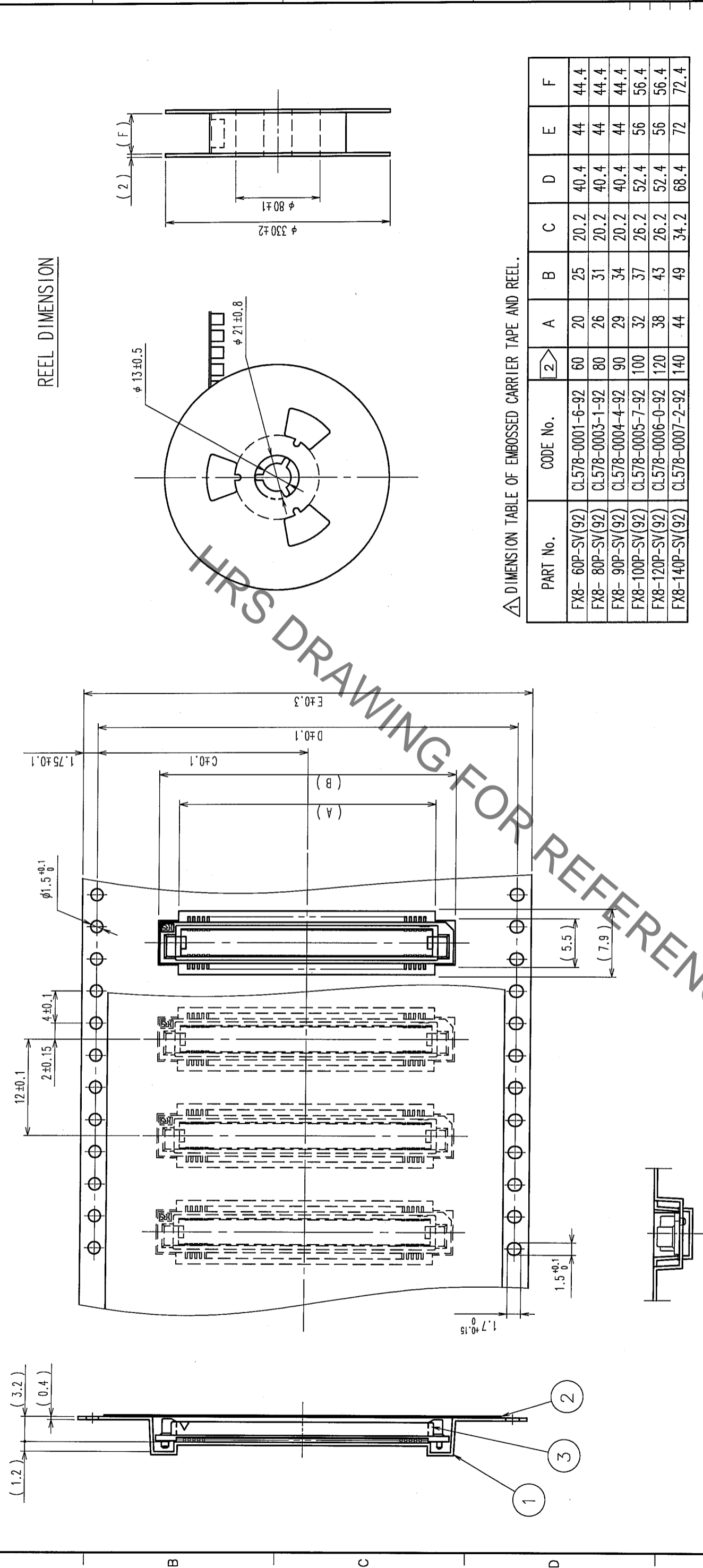
DIMENSION TABLE OF CONNECTOR AND P.C.B. LAND PATTERN.

PART No.	CODE No.	[5]	A	B	C	D	E
FX8-60P-SV(92)	CL578-0001-6-92	60	24.6	23	20.7	17.4	22.2
FX8-80P-SV(92)	CL578-0003-1-92	80	30.6	29	26.7	23.4	28.2
FX8-90P-SV(92)	CL578-0004-4-92	90	33.6	32	29.7	26.4	31.2
FX8-100P-SV(92)	CL578-0005-7-92	100	36.6	35	32.7	29.4	34.2
FX8-120P-SV(92)	CL578-0006-0-92	120	42.6	41	38.7	35.4	40.2
FX8-140P-SV(92)	CL578-0007-2-92	140	48.6	47	44.7	41.4	46.2

- NOTE 1. LEAD CO-PLANARITY SHALL BE 0.1mm MAX.
 2. EMBOSSED CARRIER TAPE PACKAGING SHALL BE APPLIED FOR THIS PRODUCT. SEE NEXT PAGE FOR DETAILS.
 3. FOR MODIFICATION, ETC., PREVENTIVE HOLE FOR SINK MARK MAY BE ADDED ACCORDING TO CIRCUMSTANCES.
 4. THE DIMENSIONS IN PARENTHESES ARE FOR REFERENCE.
 [5] NUMBER OF CONTACTS.

TO	
PCK	

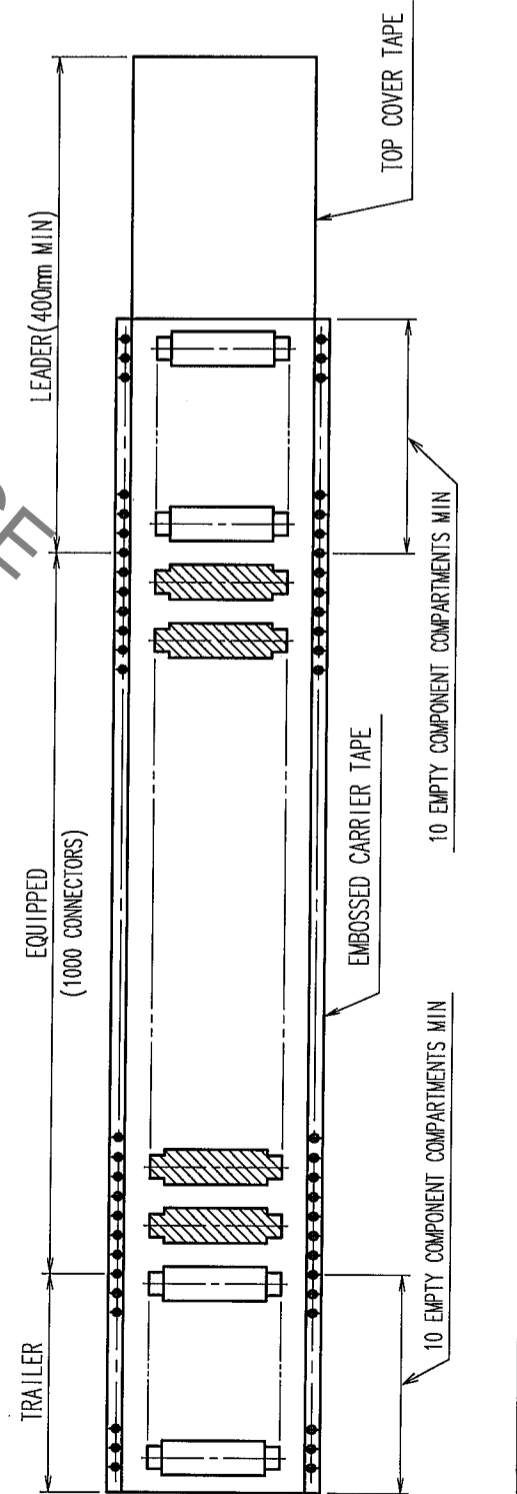
COUNT	DESCRIPTION OF REVISIONS	BY	CHKD	DATE	COUNT	DESCRIPTION OF REVISIONS	BY	CHKD	DATE



△ DIMENSION TABLE OF EMBOSSED CARRIER TAPE AND REEL.

PART No.	CODE No.	2	A	B	C	D	E	F
FX8-60P-SV(92)	CL578-0001-6-92	60	20	25	20.2	40.4	44	44.4
FX8-80P-SV(92)	CL578-0003-1-92	80	26	31	20.2	40.4	44	44.4
FX8-90P-SV(92)	CL578-0004-4-92	90	29	34	20.2	40.4	44	44.4
FX8-100P-SV(92)	CL578-0005-7-92	100	32	37	26.2	52.4	56	56.4
FX8-120P-SV(92)	CL578-0006-0-92	120	38	43	26.2	52.4	56	56.4
FX8-140P-SV(92)	CL578-0007-2-92	140	44	49	34.2	68.4	72	72.4

NOTE 1 1 REEL : 1000 CONNECTORS
2 NUMBER OF CONTACTS



2 POLYESTER (TOP COVER TAPE)		3 (CONNECTOR)			
NO.	MATERIAL	FINISH, REMARKS	NO.	MATERIAL	FINISH, REMARKS
1	PS	(EMBOSSED CARRIER TAPE)	3		
CODE NO. (OLD) CL		DRAWN S. SUZUKI		DESIGNED K. NAKAMURA	
		03.03.06		03.03.06	
SCALE FREE		DRAWING NO. EDC3-150726-22		PART NO. FX8-**P-SV(92)	
UNITS mm		HIROSE ELECTRIC CO., LTD		CODE NO. CL578	

TO PCK

HRS

HIROSE ELECTRIC CO., LTD

CL578

2