



ON Semiconductor®

FUSB3307 + NCV81599

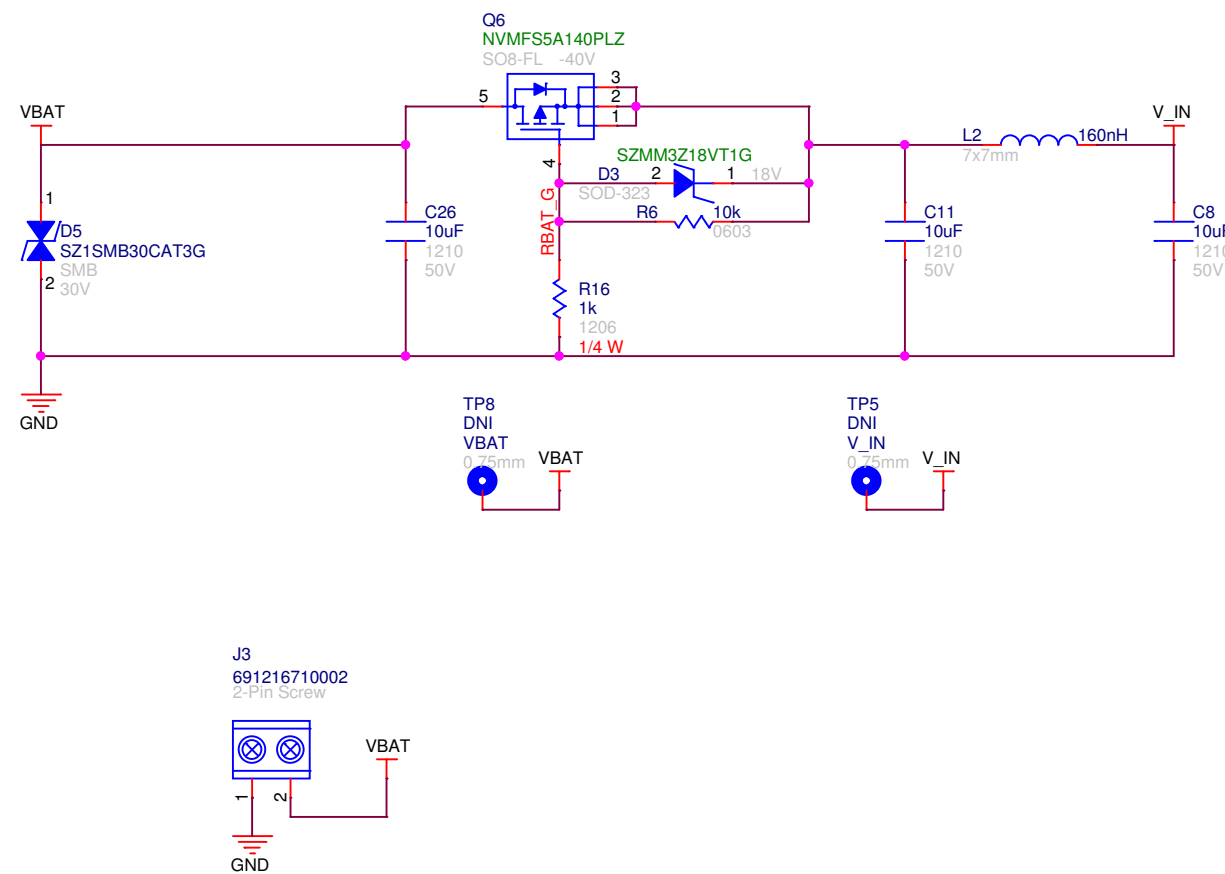
USB-PD3.0 PPS

UPDATE1

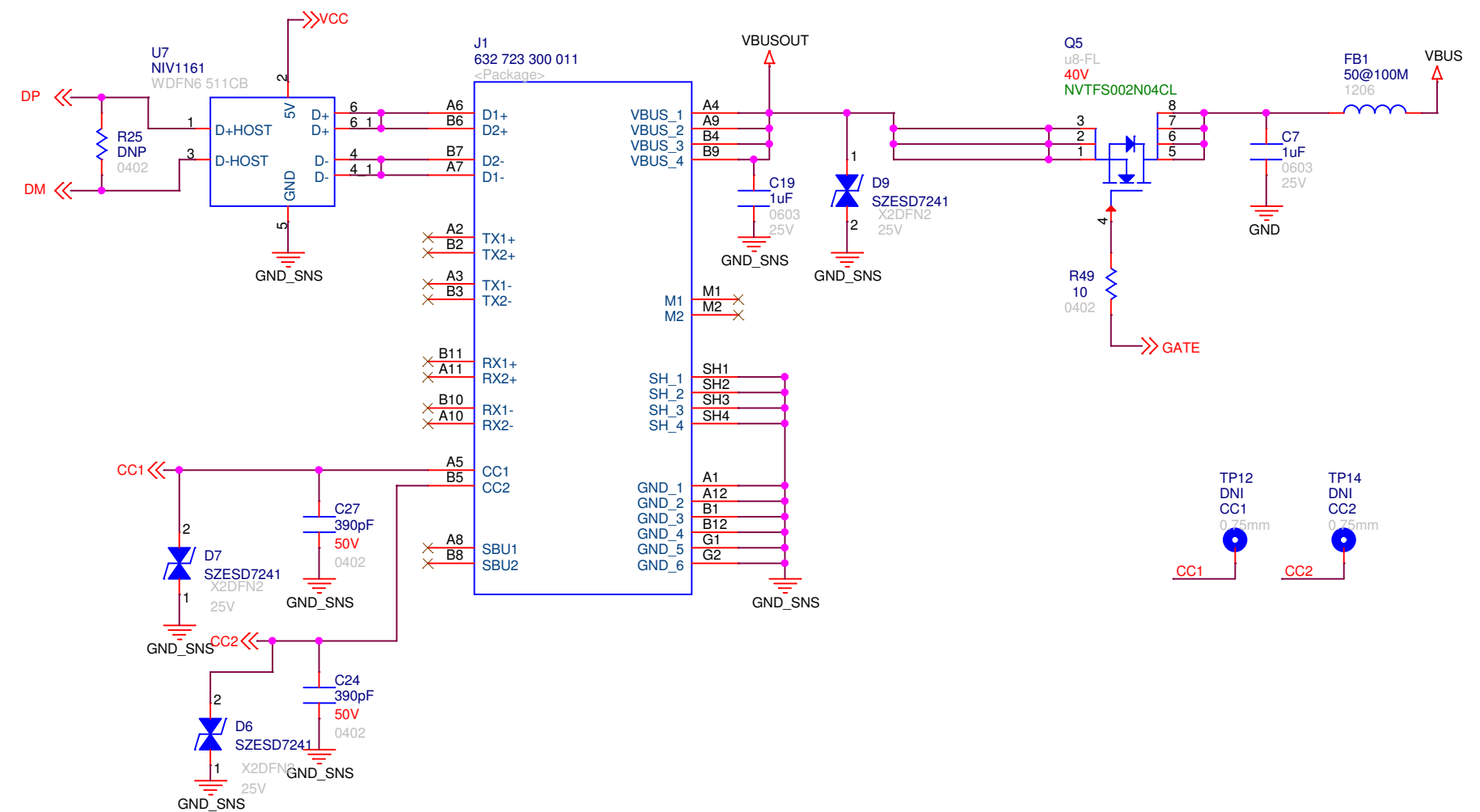
ON Semiconductor		
Title FUSB3307 + NCV81599		
Size Custom	Document Number ONSEC-19-015	Rev REV5
Date: Tuesday, January 26, 2021	Sheet 1	of 7

USB TYPE C

INPUT FILTER



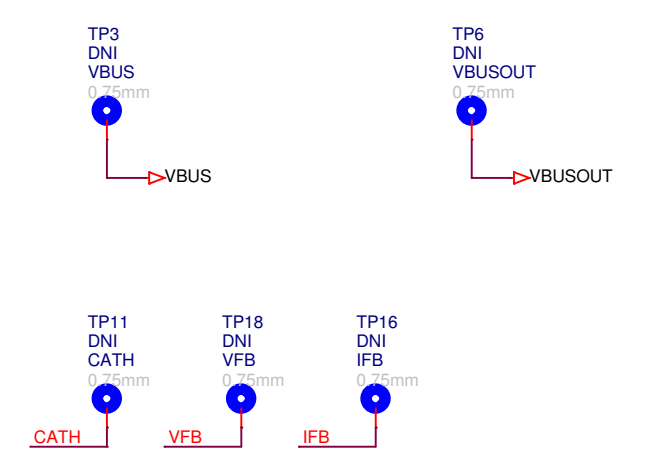
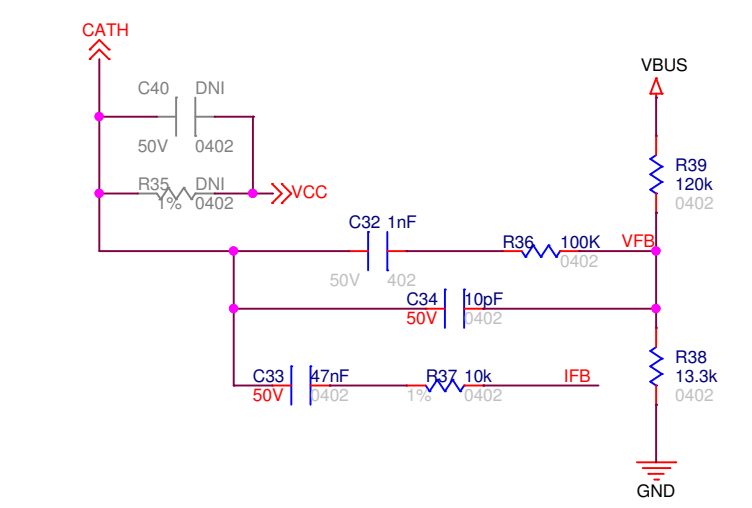
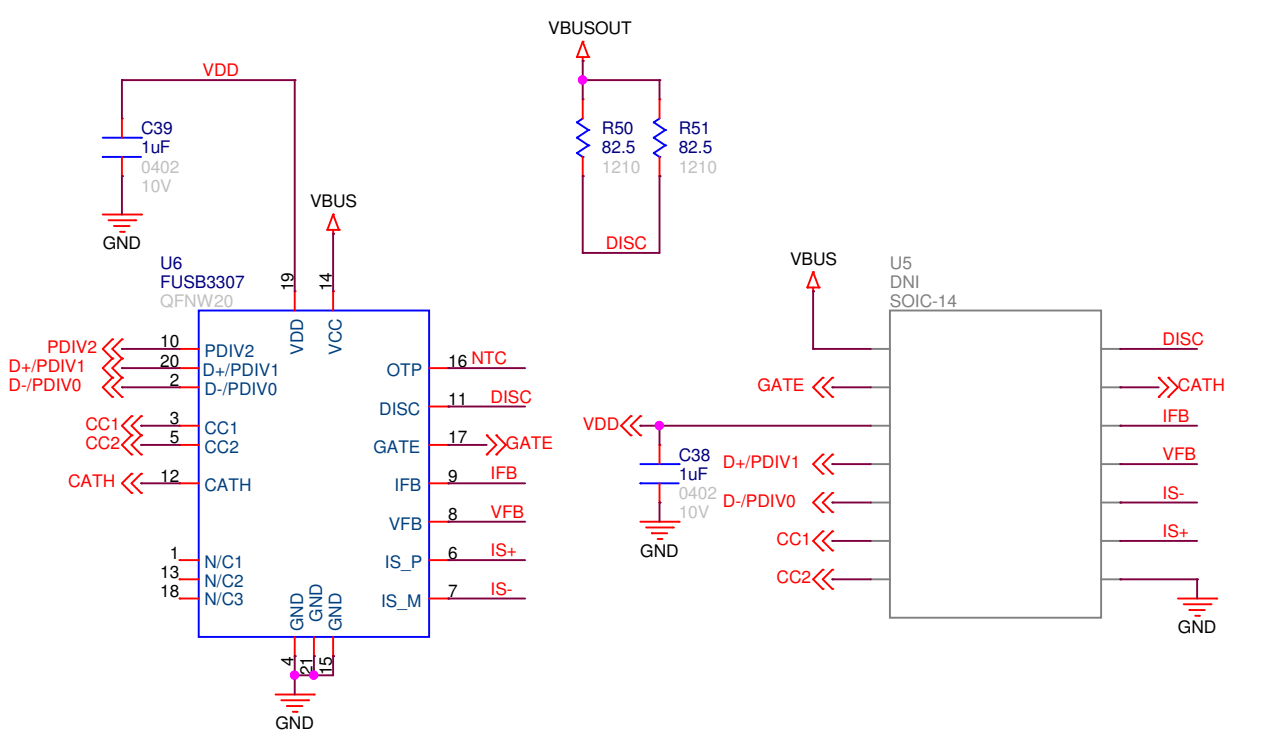
USB TYPE-C RECEPTACLE



UPDATE1

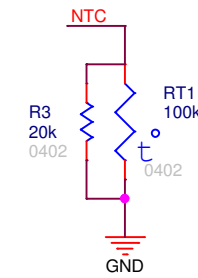
ON Semiconductor		
Title FUSB3307 + NCV81599		
Size Custom	Document Number ONSEC-19-015	Rev REV5
Date:	Tuesday, January 26, 2021	Sheet 2 of 7

FUSB3307

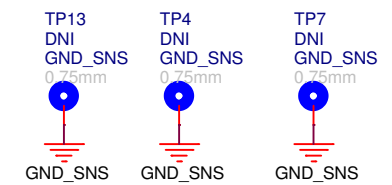
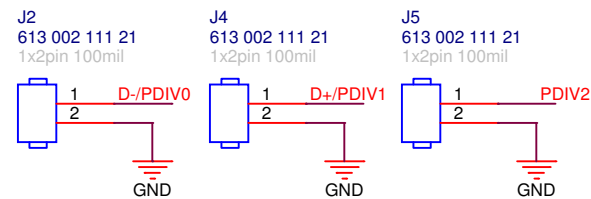
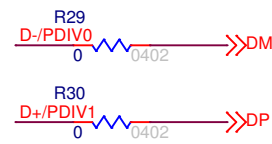
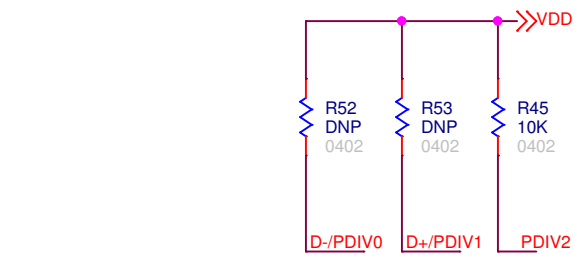
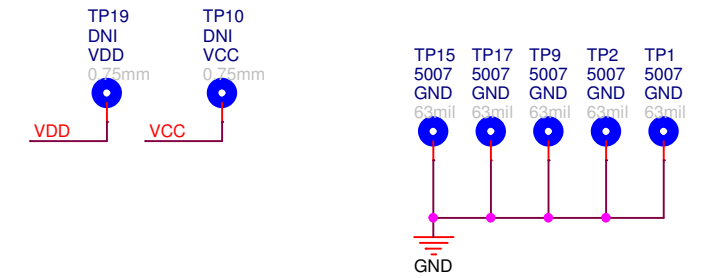
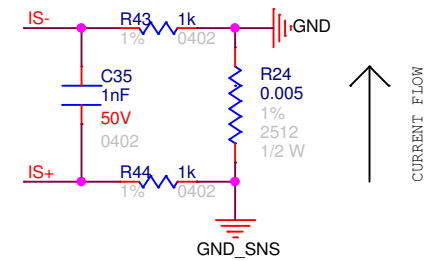


ONLY POPULATE 1 FUSB3307

Temperature Sense



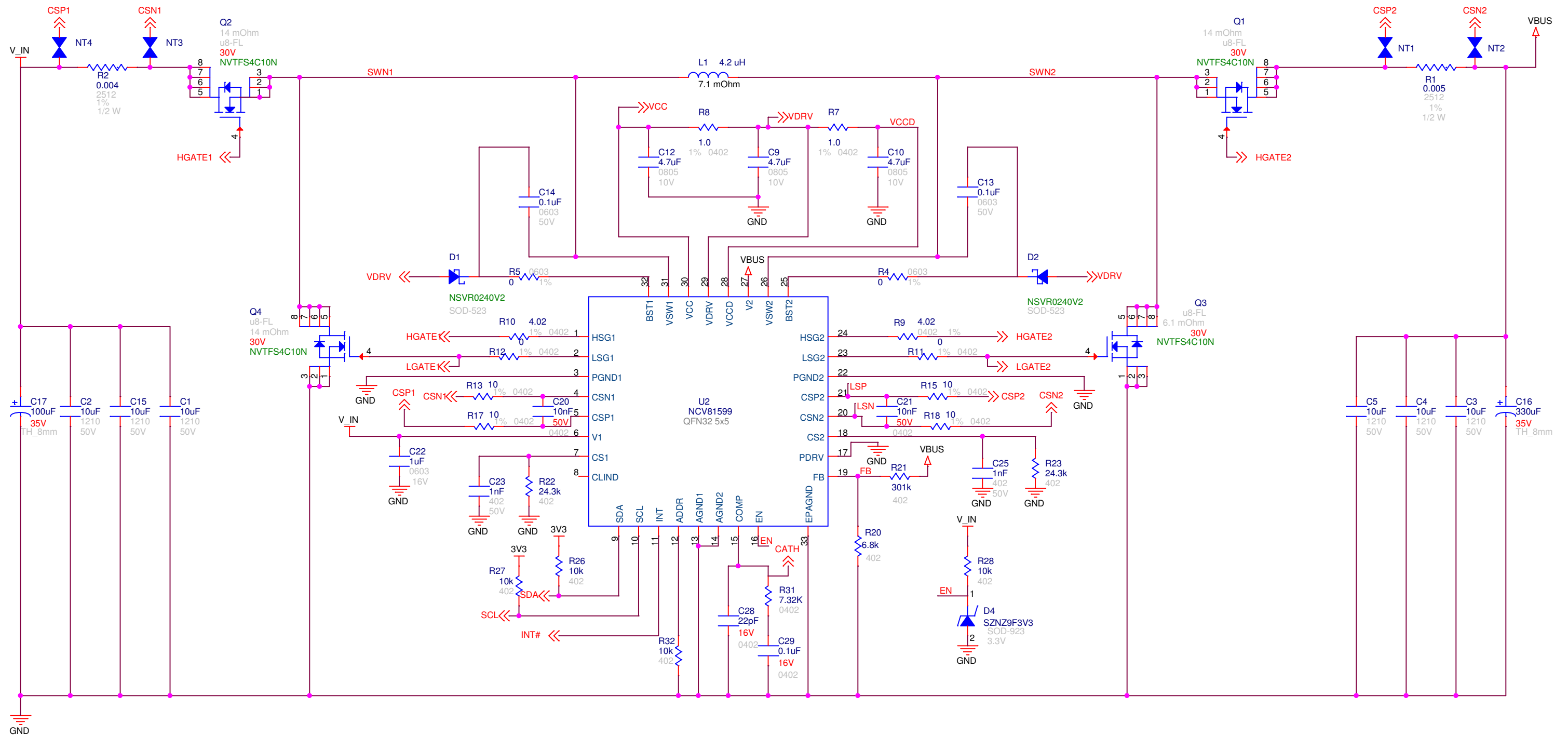
Low Side Current Sensing



UPDATE1

ON Semiconductor		
Title FUSB3307 + NCV81599		
Size Custom	Document Number ONSEC-19-015	Rev REV5
Date: Tuesday, January 26, 2021	Sheet 3	of 7

NCV81599 BUCK-BOOST



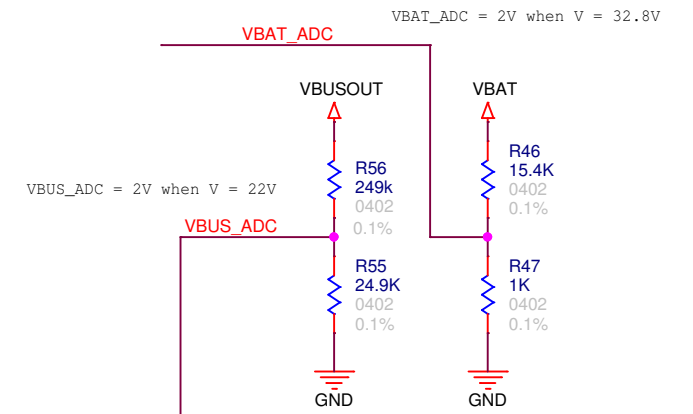
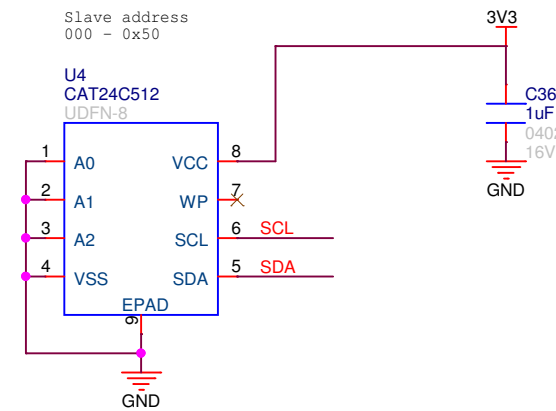
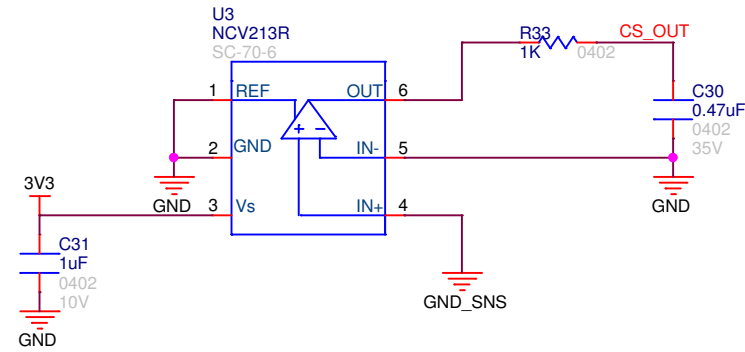
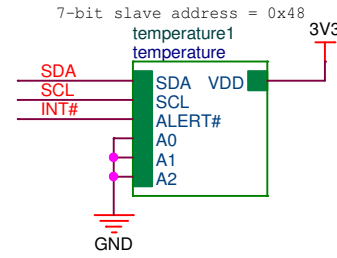
UPDATE1

ON Semiconductor

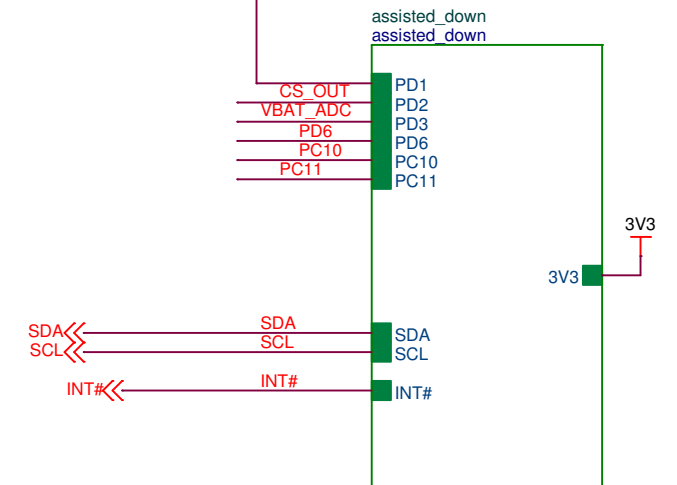
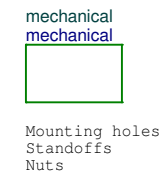
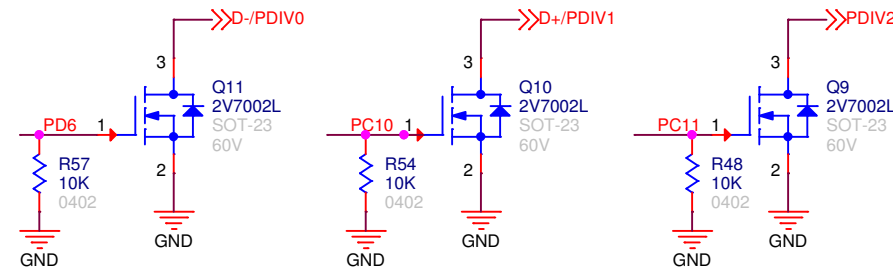
Title FUSB3307 + NCV81599		
Size Custom	Document Number ONSEC-19-015	Rev REV5
Date: Tuesday, January 26, 2021	Sheet 4	of 7

Assisted Interface

Optional Telemetry



PROGRAMMING POWER DELIVERY POWER



UPDATE1

ON Semiconductor

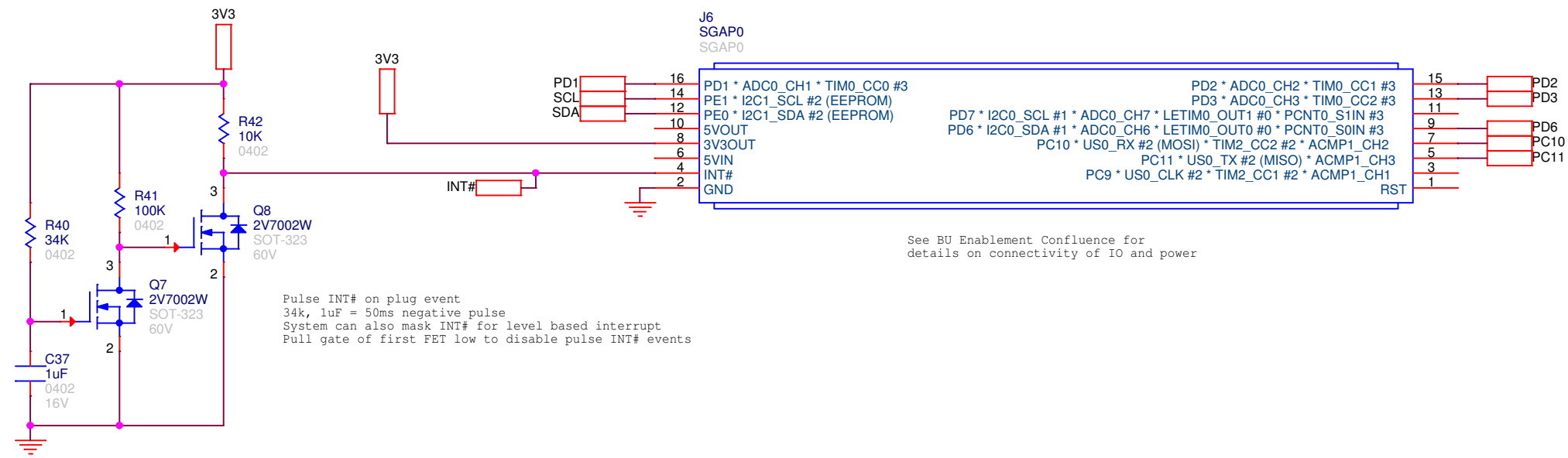
Title
FUSB3307 + NCV81599

Size Custom Document Number
ONSEC-19-015

Rev
REV5

Date: Tuesday, January 26, 2021 Sheet 5 of 7

Assisted Downstream

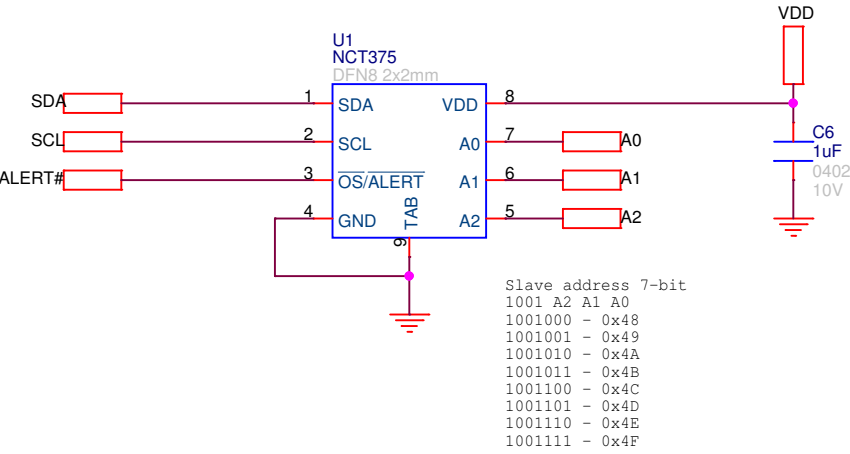


UPDATE1

ON Semiconductor

Title FUSB3307 + NCV81599		
Size Custom	Document Number ONSEC-19-015	Rev REV5
Date: Tuesday, January 26, 2021	Sheet 6	of 7

Temperature



UPDATE1

ON Semiconductor		
Title FUSB3307 + NCV81599		
Size Custom	Document Number ONSEC-19-015	Rev REV5
Date:	Tuesday, January 26, 2021	Sheet 7 of 7